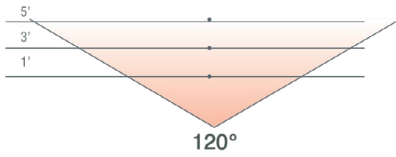


CLW-H30

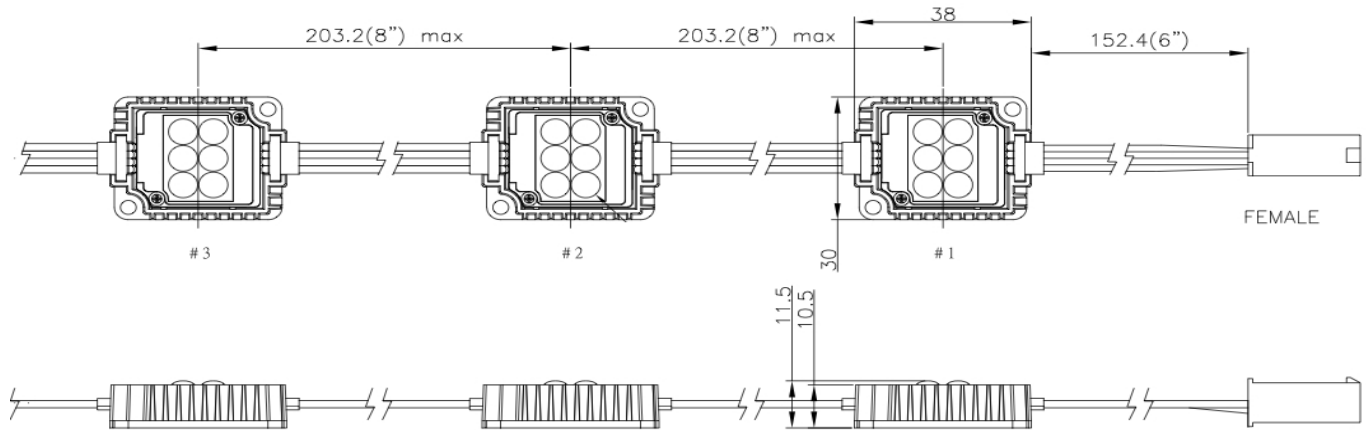
wLhWGB LED MODULES

4VDC 1.66w/Module

OPTICS



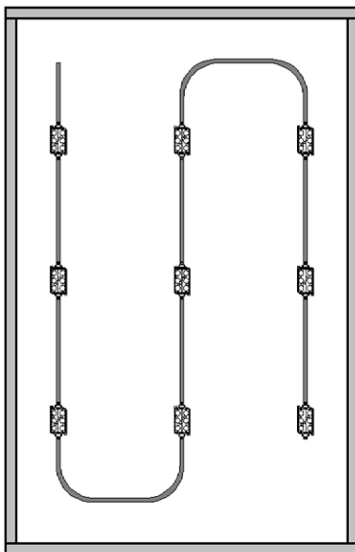
DIMENSIONS AND DATA



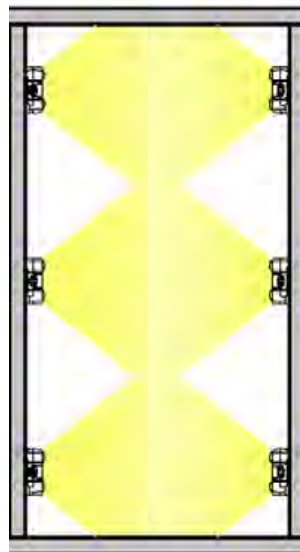
Unit:mm

16.7 Million Color Combinations

BACKLIT BOX



EDGELIT BOX



Date:

Firm:

Project:

Contact:

THE SMART LIGHTING COMPANY

1731 Kaiser Ave. Irvine, CA 92614 P.O. Box 17275 Irvine, CA 92623

949-346-3456
thesmartlightingcompany.com

© 2019 The Smart Lighting Company. All rights reserved. Specifications subject to change without notice. Rev. 3/19