

Date: _____ Firm: _____ Project: _____ Contact: _____

FEATURES

- 24VDC 96W LED DRIVER
- Smooth flicker free dimming - Dimming range: 0-100%.
- Works with forward phase /leading edge, MLV and Reverse phase /trailing edge, ELV, TRIAC dimmers
- 0-10V dimming: 0-10V/1-10V/Potentiometer/10V PWM 4 in 1
- Input voltage - 100 - 277VAC
- IP66 - Wet, damp or dry locations
- Load: 10-100%
- Built-in PFC function PF>0.98
- Efficiency > 89%
- Protections: Short circuit/Over loading/ Over temperature
- Cooling by free air convection
- PWM output, does not change the color index
- UL, cUL listed, Class 2 unit, Type HL rated. FCC



SPECIFICATIONS

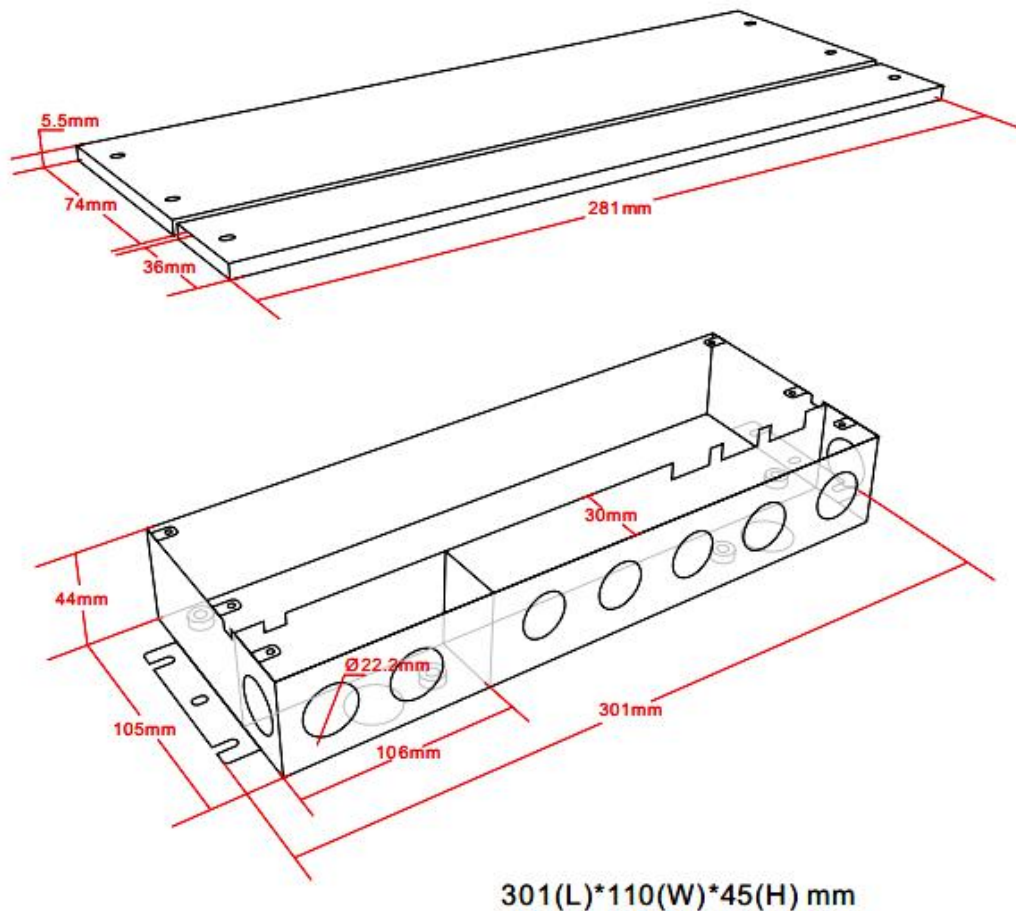
Model		PS-TSLC-UNV24V-288W
Output	DC Voltage	24V
	Voltage Tolerance	±0.5V
	Voltage Regulation	±0.5%
	Voltage Tolerance	±0.5V
	Load Regulation	±1%
	Rated current	12A(multi current 3*4A)
	Rated power	288W (3*96W)
Input	Voltage Range	100-277VAC
	Frequency Range	47~63HZ
	Power Factor (Typ.)@full load	0.99@120VAC 0.96@277VAC
	THD(Typ.)@full load	<20%
	Inrush Current(Typ.)	35A (twidh=960us) @120VAC ; 43A (twidh=1ms) @277VAC
	Efficiency(Typ.)@Full Load	87%@120VAC 89%@277VAC
	AC Current (Typ.)	3.4A@100VAC
	Leakage current	<0.50mA
Protection	Short Circuit	shut down o/p voltage, re-power on to recover after fault condition is removed
	Over load	≤120% constant current limiting, auto-recovery
	Over temperature	100°C±10°C shut down o/p voltage, automatically recover after cooling.
	Over Current	≤1.4*1 out

PS-TSLC-UNV-24V-288W

(5 in 1) Dimmable constant voltage 96Wx3 LED driver

Environment	Working TEMP.	-40~+60°C
	Working Humidity	20~90%RH,non-condensing
	Storage TEM.,Humidity	-40~+80°C, 10~95%RH
	TEMP.coefficient	±0.03%/°C (0~50°C)
	Vibration	10~500Hz 2G 10min./1 cycle, period for 60min.each along X, Y,Z axes
Safety&EMC	Safety standards	UL8750+UL1310
	Withstand voltage	I/P-O/P:1.88KVAC
	Isolation resistance	I/P-O/P: 100MΩ/500VDC/25°C/70%RH
	EMC EMISSION	FCC Part 15 B
	EMC IMMUNITY	EN61000-4-2,3,4,5,6,11 (Surge 4KV)
Others	Weight	2.4Kg
	Size	1.0 version: 301*110*45mm 2.0 version: 301*140*45mm
	packaging	365*210*245mm/8pcs /CTN G.W.:21KG/CTN
Notes	1. All parameters NOT specially mentioned are measured at 110V & 277VAC input , rated load and 25°C of ambient temperature. 2..Tolerance:includes set us tolerance,line regulation and load regulation.	

DIMENSIONS



Input: Black to load, White to Neutral, Green to ground.
Output: Red to LED (+) side, Black to LED (-) side.
Dimming: 0-10v Purple Dim (+), Gray Dim (-).
Improper connection could damage your power supply and/or fixture.

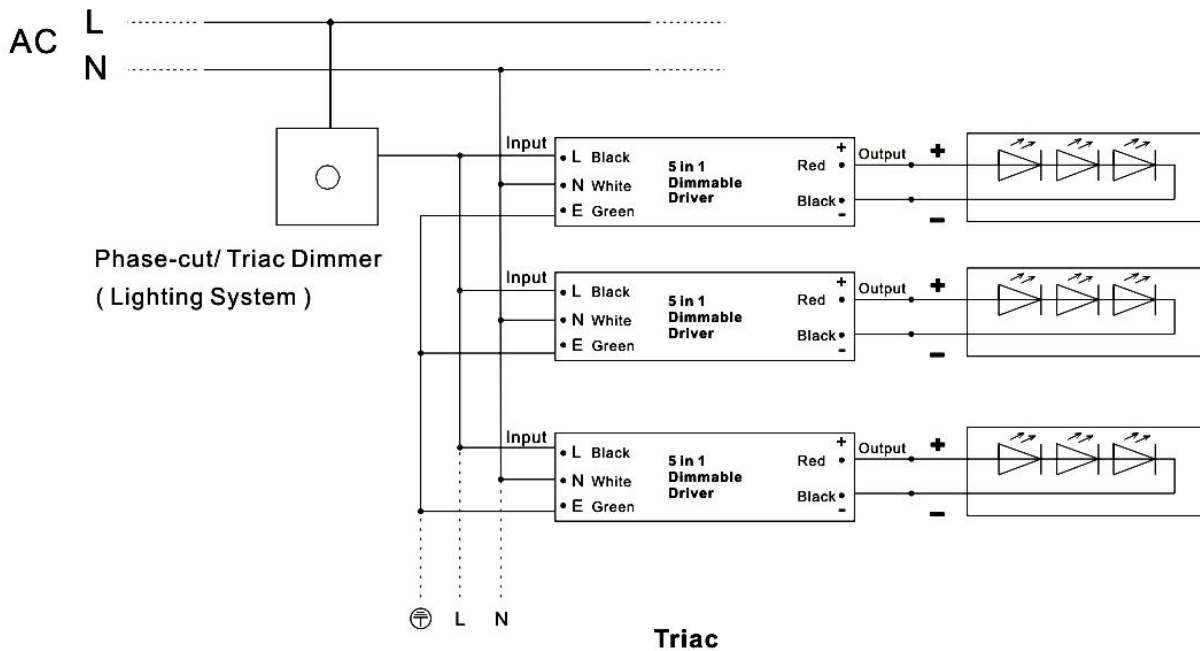
PS-TSLC-UNV-24V-96WDHV2

(5 in 1) Dimmable constant voltage 96W LED driver

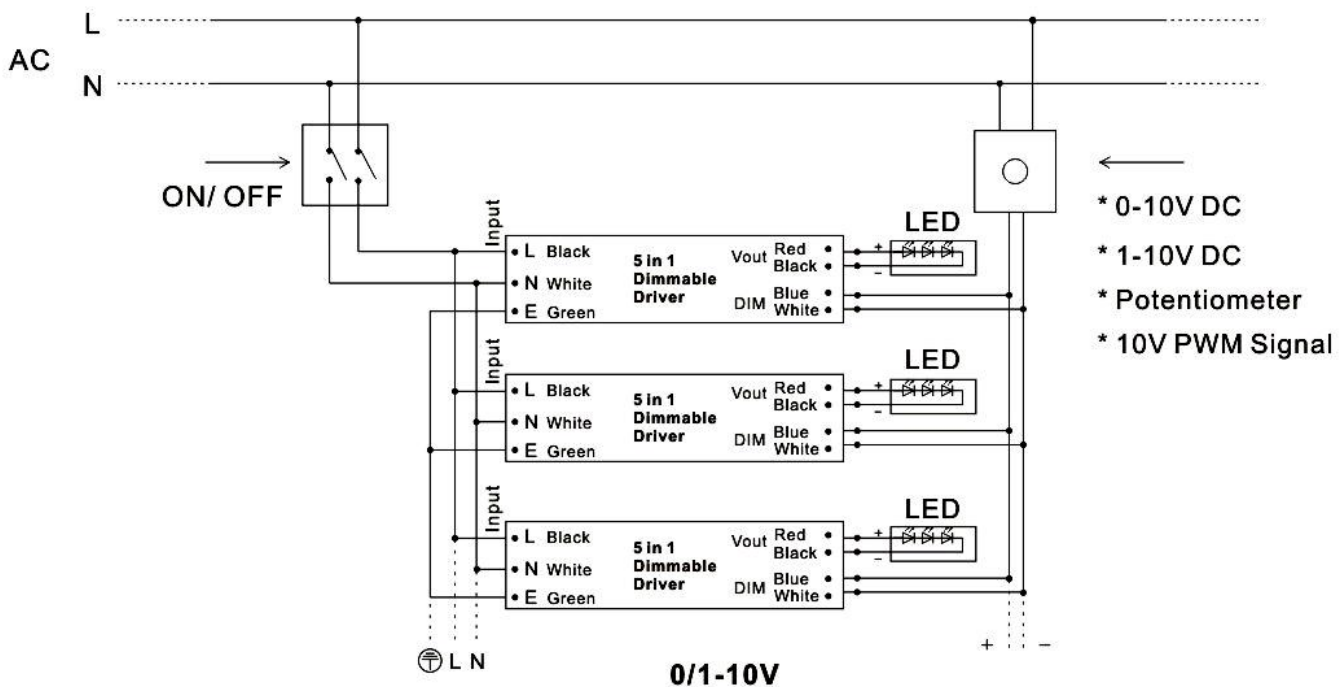
WIRING/CONNECTION

Triac/Phase Dimming

1. The Pulse-Width Modulation (PWM) of output voltage can be adjusted through input terminal of the AC phase line(L) by connection a phase /Triac dimmer of lighting system.
2. Work with forward phase /leading edge ,MLV and reverse phase /trailing edge ,ELV, TRIAC dimmers.
3. Please try to use dimmers with power at least 1.5 times as the output power of the driver.

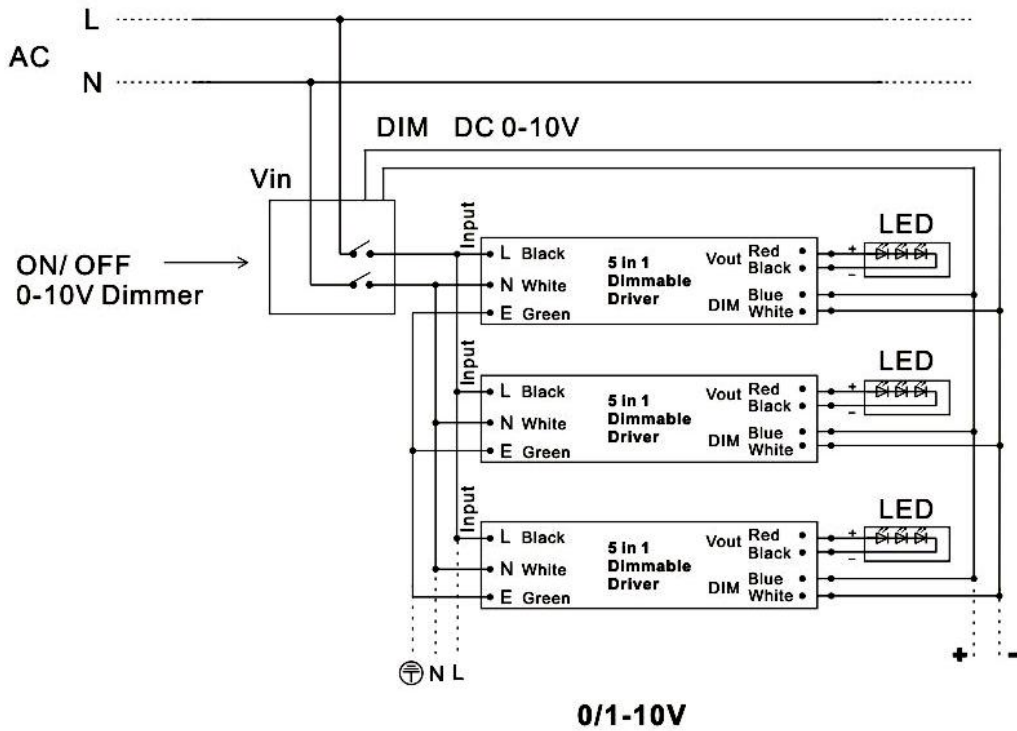


0-10v Dimming

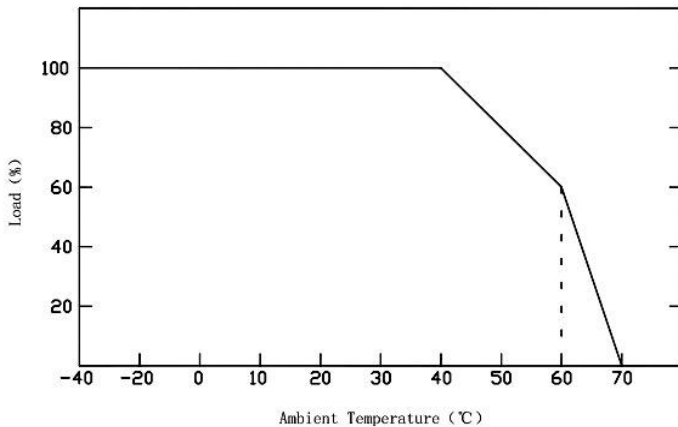


PS-TSLC-UNV-24V-288W

(5 in 1) Dimmable constant voltage 96Wx3 LED driver



DERATING CURVE



- To extend their life, please refer to the Derating Curve and derate according to the temperature.

INSTRUCTION

- This driver should be installed by qualified and licensed electrician
- Please make sure the driver is installed with adequate ventilation around it to allow for heat dissipation.
- Ensure that wiring is correct before testing in order to avoid light and power supply damage