

Lighting Groundpost

LANDSCAPE, SIGN, FACADE LIGHTING

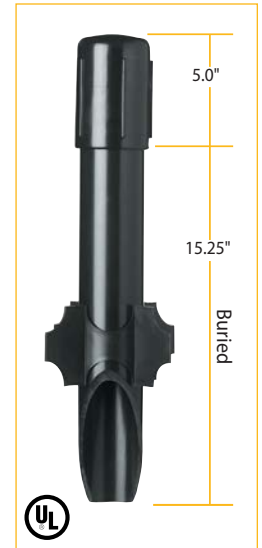
Part # HBEXT-GPS

To be used with our extrusions for HB30, HB40 and HB50 Series

LANDSCAPE LIGHTING GROUNDPOST

Our landscape lighting groundpost for outdoor luminaires is different from any other "hollow pipe" style landscape lighting groundpost on the market. It features an internal wiring compartment/junction box, rated for 19 cubic inches that easily accommodates two (2) 20 AMP circuits. The Landscape Post allows the installer to make a proper ground connection to safeguard people and property from electrical shock hazards.

- The Landscape Lighting Groundpost is UL Listed as a "Luminaire Fixture Fitting," suitable for use in wet locations.
- Meets the requirements of the 2017 National Electrical Code: Articles 314.15, 314.16(A)(2) and 314.17(B).
- The Landscape Lighting Groundpost features a compartment separator cover cap that creates an integral "junction box" suitable for splicing.
- The PVC cover cap is non-metallic and suitable for the majority of outdoor luminaires on the market.



**LANDSCAPE
GROUND POST STAKE**

NEC Article 314.15 ... boxes, conduit bodies and fittings installed in wet locations shall be listed for use in wet locations.

NEC Article 314.16(A)(2) — Boxes 1650 cm³ (100 in³) or less, other than those described in Table 314.16(A), and non-metallic boxes shall be durably and legibly marked by the manufacturer with their volume.

The Landscape Groundpost is shatter resistant to denting or cracking typically caused by landscape maintenance equipment. It is corrosion and UV resistant and impervious to changing environmental conditions.

When wiring multiple luminaires in series, the Landscape Lighting Groundpost's angled bottom allows UF Cable or Conduit to easily enter at different depths to eliminate cable congestion.



The cover cap accommodates a 1/2" trade size conduit nipple.

NEC Article 314.17 — Conductors entering boxes, conduit bodies or fittings shall be protected from abrasion and shall comply with 314.17(B).

... Where raceway or cable is installed with metal boxes or conduit bodies, the raceway or cable shall be secured to such boxes and conduit bodies.

Replaces EMT, conduit connectors and weatherproof boxes.

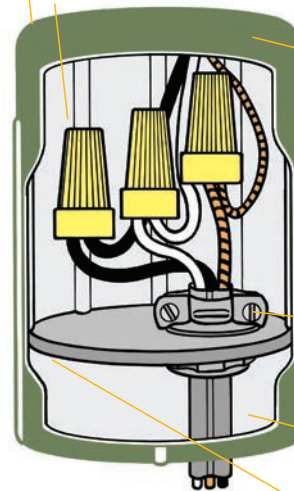
The stabilizer features unique concave stabilizing blades allow ground material to be easily packed around the Landscape Lighting Groundpost for fast, easy and secure installation.

The stabilizer minimizes the Landscape Groundpost's movement typically caused by ground freezing and thawing.

WIRING CONNECTIONS INSIDE LANDSCAPE POST CAP — CUT-AWAY EXAMPLE

The cover's 19 cubic inch box volume can house two (2) 20 AMP circuit conductors.

Eight (8) internal "Stops" seat and firmly hold the Separator Disk in place when the SpliceCap is positioned on the PVC Pipe.



SpliceCap compartment fully encloses and protects the circuit conductors from moisture, dirt and abrasion.

Raised "Grips" simplify installation and removal of the cover cap.

UF Connector secures the incoming supply line cable to the separator.

Incoming supply line cable.

Separator with attached Ground Wire. Use with non-grounded metallic luminaires to make a safe ground connection.

Landscape Lighting Groundpost Stake

INSTALLATION INSTRUCTIONS

Part # HBEXT-GPS

Landscape Lighting Groundpost Stake



Risk of
Electric
Shock

CAUTION

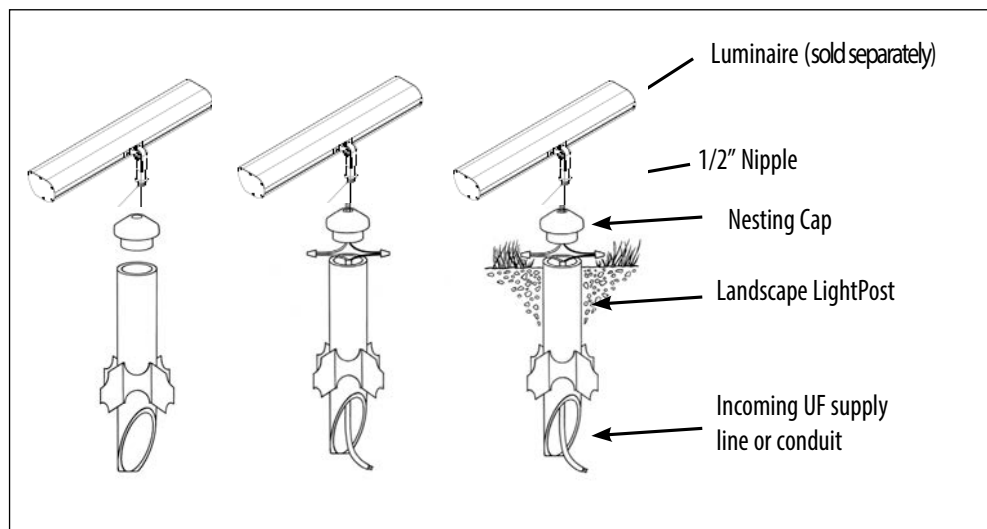
- TO BE INSTALLED BY A QUALIFIED ELECTRICIAN
- **WARNING:** ELECTRICAL SHOCK HAZARD
- MAKE SURE THAT THE POWER IS "OFF" AT THE CIRCUIT BREAKER BEFORE PROCEEDING



NOTE: The Landscape Post complies with the 2017 National Electrical Code: Article 314.15.

NOTE: The Landscape Post should be used with a UL listed luminaire with a grounding means suitable for use in wet locations, provided with a 1/2-inch trade size conduit nipple.

1. Excavate a trench for the UF supply line cable or conduit and the Landscape Post. The Landscape Post requires approximately one (1) square foot hole to facilitate installation.
2. Remove the LightPost Cap from the top of the Landscape LightPost by "backing out" the hex head screw counterclockwise.
3. Feed the luminaire's black, white, and ground wires through one end of the 1/2-inch nipple (not supplied). Then feed the luminaire's wires through the top of the LightPost Cap.
4. Thread and hand tighten the 1/2-inch nipple into the top of the LightPost Cap. The luminaire should now be firmly attached to the LightPost Cap with the luminaire's wires fed completely through the LightPost Cap.
5. Feed the incoming UF supply line cable or conduit through the slanted bottom of the Landscape LightPost. If you are wiring multiple luminaires in series, make sure you also pull the second (continuing) supply wire through the Landscape LightPost. Connect the supply wires to the luminaire's wires using the appropriate size wire nuts.
6. Push all wires back into the Landscape LightPost. Then push the luminaire and LightPost Cap into the top of the Landscape LightPost until firmly seated. Secure the luminaire and LightPost Cap to the top of the Landscape LightPost by turning the hex head set screw clockwise.
7. Place the now wired Landscape LightPost into the excavated trench and position to the desired height. If you are wiring multiple luminaires, adjust the incoming and outgoing supply wires or conduit at the bottom of the Landscape LightPost so the wires or conduit do not bind.



Landscape Lighting Groundpost Stake

SHOWN WITH EXTRUSION AND LUMINAIRE

