

# HB30 Mounting

## Extrusions, Extended Arms, Louvers

For use with our HB30 series fixtures for applications between 1 and 15 feet illumination.



### APPLICATION

Designed to illuminate signage, facades, monuments and more.

The Extrusion package allows you to easily mount your HB30 fixture in an architectural powder-coated extrusion with your choice of mounting arms or ground post stakes. Standard finishes available. Fixtures are able to be mounted as a stand-alone fixture or in a seamless row. Wires connect from the fixture through the extended arm into the junction box. The wall mounted box has knock outs on all four sides as well as through the back. Row mounted fixtures are wired end to end. The housing angle is adjustable on the extended arms. Louvers are available as an option to reduce glare.

### FEATURES

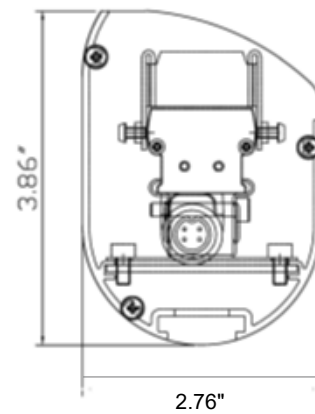
- Extruded aluminum housing with stainless steel hardware
- Black or Bronze Powder-coat finish standard - RAL custom colors available
- Extended arms 6", 12", 18", 24" or 36"
- Ground post mounting
- No visible wires or mounting hardware
- Integrated Glare Shield and optional Louvers
- Stand-alone or Row mounted
- Adjustable housing with calibrated system for precise angle up to 25° +/-
- Mounted direct or indirect, horizontally or vertically

### WARRANTY

Our fixtures are backed by a 5-year limited warranty.

### PHYSICAL

<b>Housing</b>	Extruded Anodized Aluminum
<b>Fixture Lengths</b>	12", 24", 36", 48"
<b>Housing Colors</b>	Bronze, Black, White, Silver, custom
<b>Connection</b>	Quick connect plug and play
<b>Mounting</b>	Extended arms or ground post
<b>Environment</b>	IP66 Wet, Damp or Dry Locations
<b>Glare Protection</b>	Integrated glare shield - optional louvers



# HB30 Mounting

FIXTURE SOLD SEPARATELY

DATE

FIRM

PROJECT

CONTACT

## PART NUMBER

MODEL	LENGTH	FINISH	MOUNTING	OPTIONS				
HB30EXT	12	1 foot	BZ	Bronze	6"	6" Arm	L	Louvers
	24	2 foot	BK	Black	12"	12" Arm	N	None
	36	3 foot	WH	White	18"	18" Arm		
	48	4 foot	SI	Silver	24"	24" Arm		
			CU	Custom	36"	36" Arm		
		RAL _____		GPS	Ground Post			

Standard fixture housing is anodized aluminum. Powder coating is available from factory in Black, Bronze, White, or custom. There is a minimum quantity for powder coating or a surcharge will be added.

## ACCESSORIES

### MOUNTING HARDWARE

AL-HB30 FLAT BRACKET	HB30 Flat Bracket
HBEXT-GPS	Ground post stake

1ft & 2ft extrusions require one ground post stake (HBEXP-GPS). 3ft & 4ft extrusions require two ground post stakes (HBEXP-GPS).

### GLARE PROTECTION

HB30-12" LOUVER	12" Louver
HB30-24" LOUVER	24" Louver
HB30-36" LOUVER	36" Louver
HB30-48" LOUVER	48" Louver

Standard louvers are in Black. Special order for Bronze, White, Silver or custom.

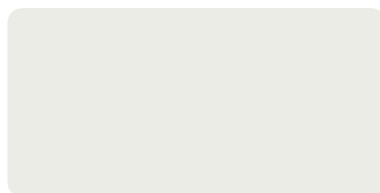
## COLOR SELECTION



Bronze



Black



White

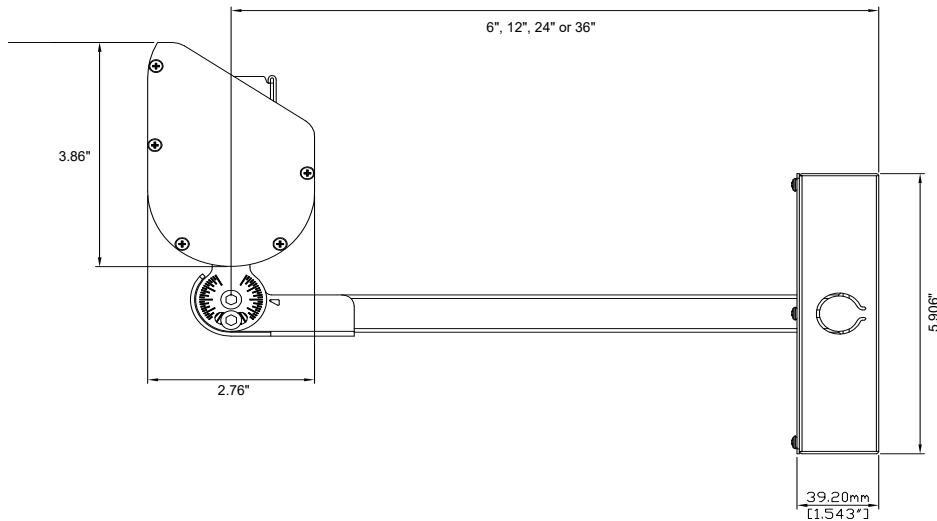
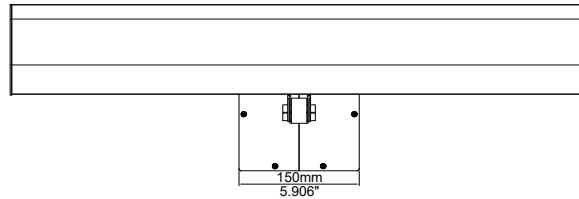
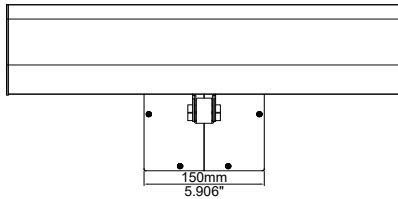
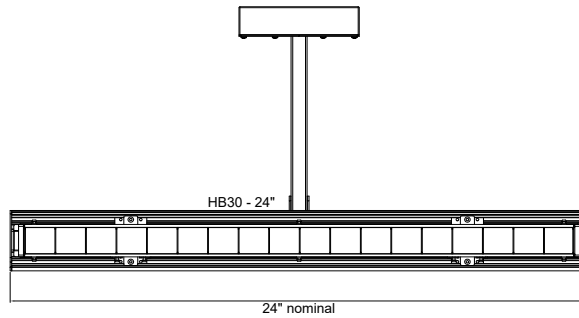
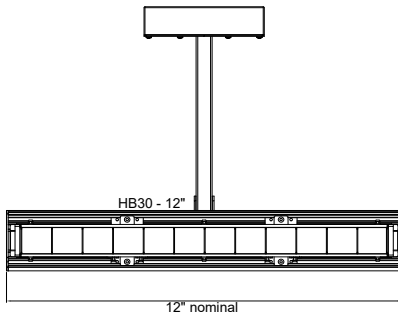
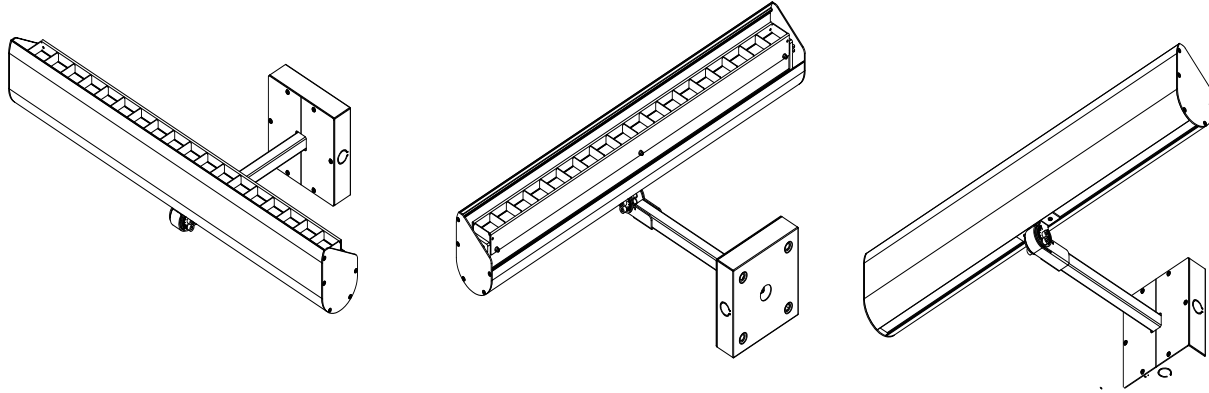


Silver

# HB30 Extended Arm Mounting

FIXTURE SOLD SEPARATELY

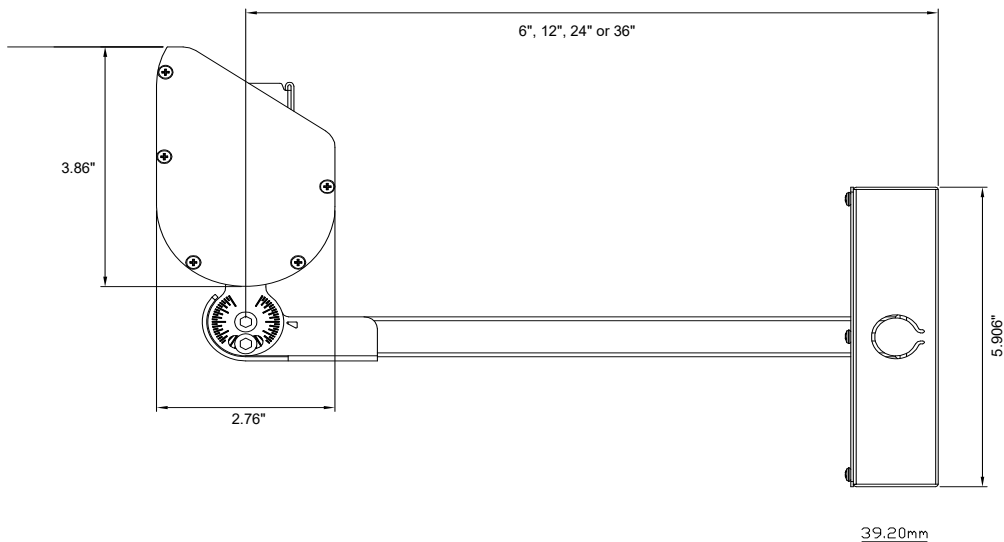
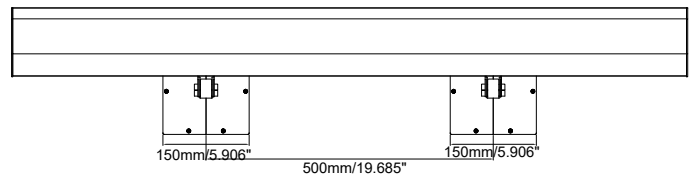
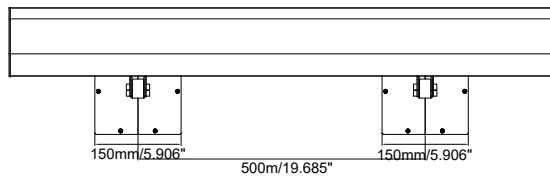
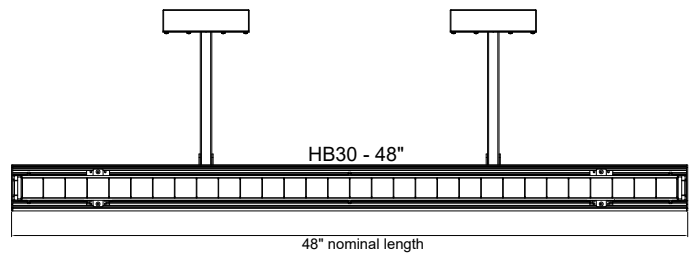
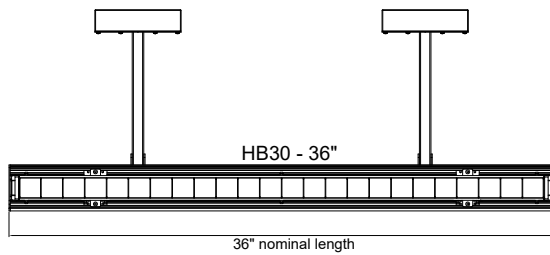
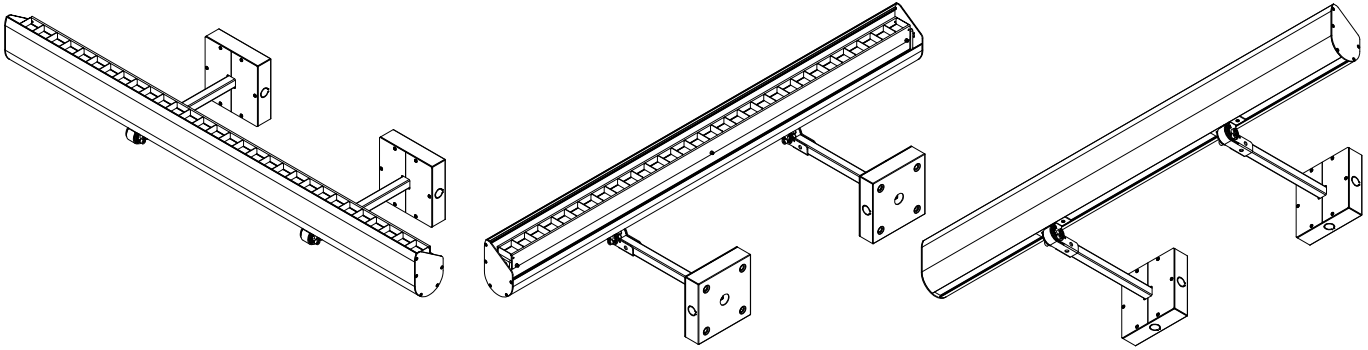
## 12" AND 24" EXTRUSIONS WITH SINGLE MOUNTING ARMS



# HB30 Extended Arm Mounting

FIXTURE SOLD SEPARATELY

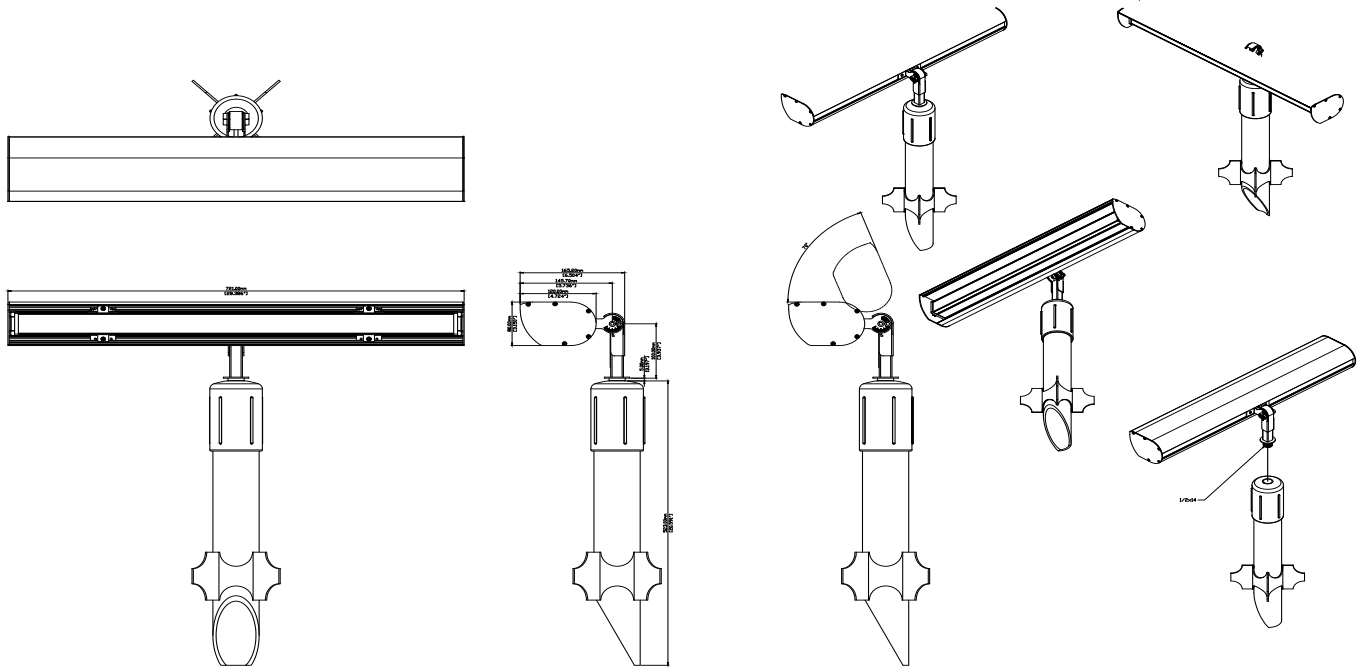
## 36" AND 48" EXTRUSIONS WITH DOUBLE MOUNTING ARMS



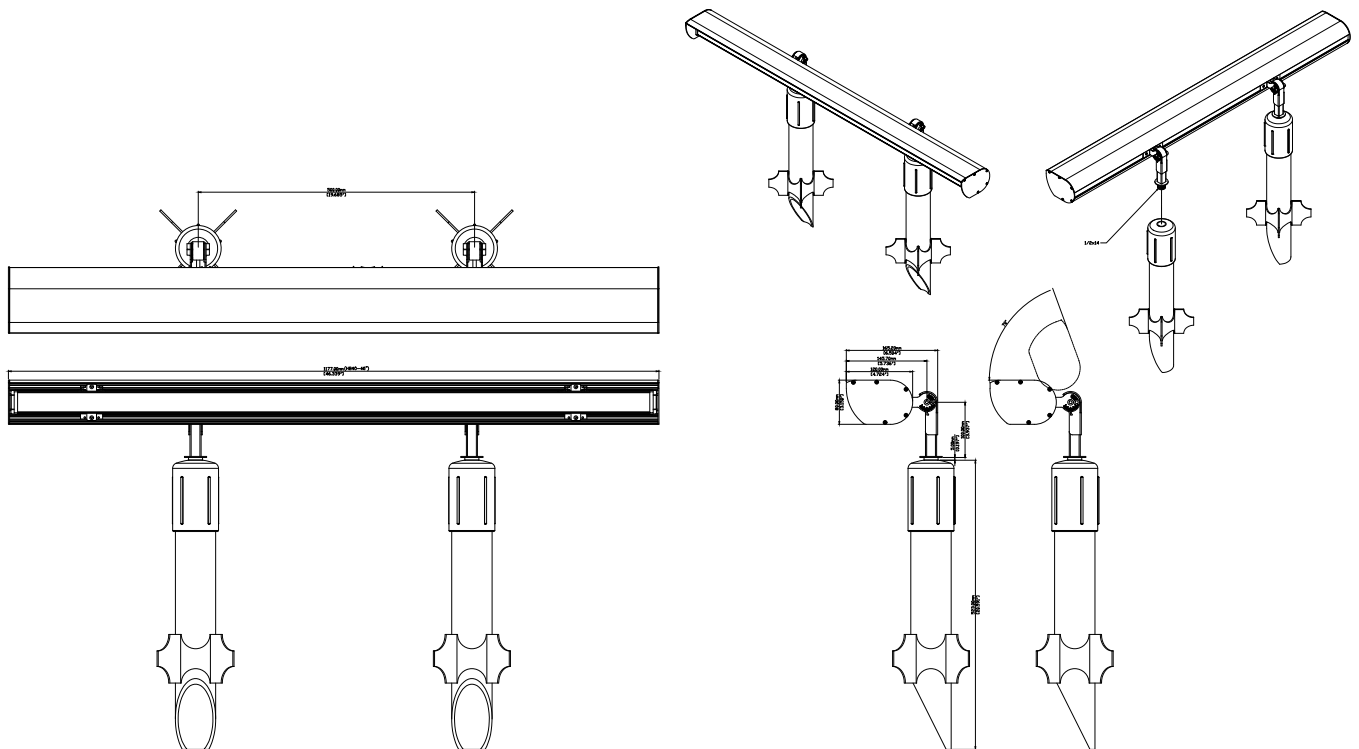
# HB30 Ground Post Mounting

FIXTURE SOLD SEPARATELY

## 12" AND 24" EXTRUSIONS WITH ONE THREADED ARM



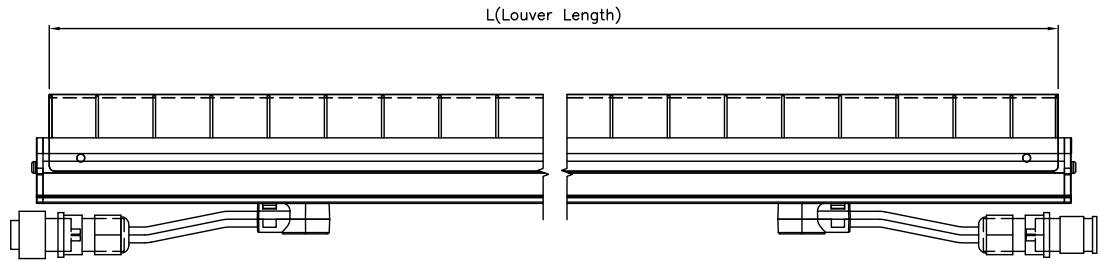
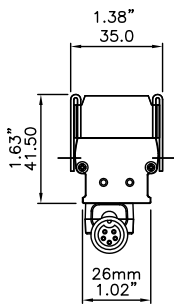
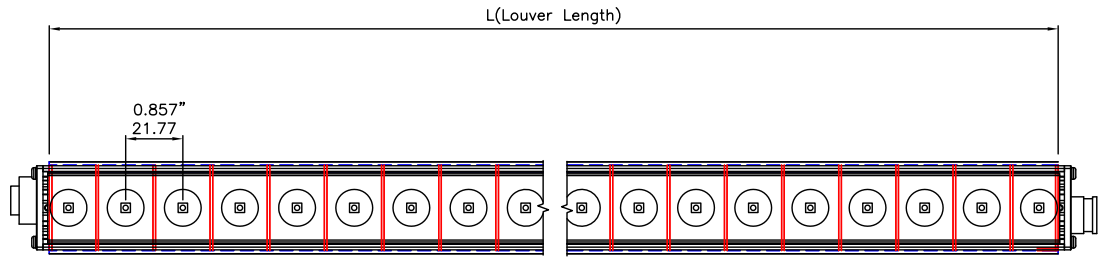
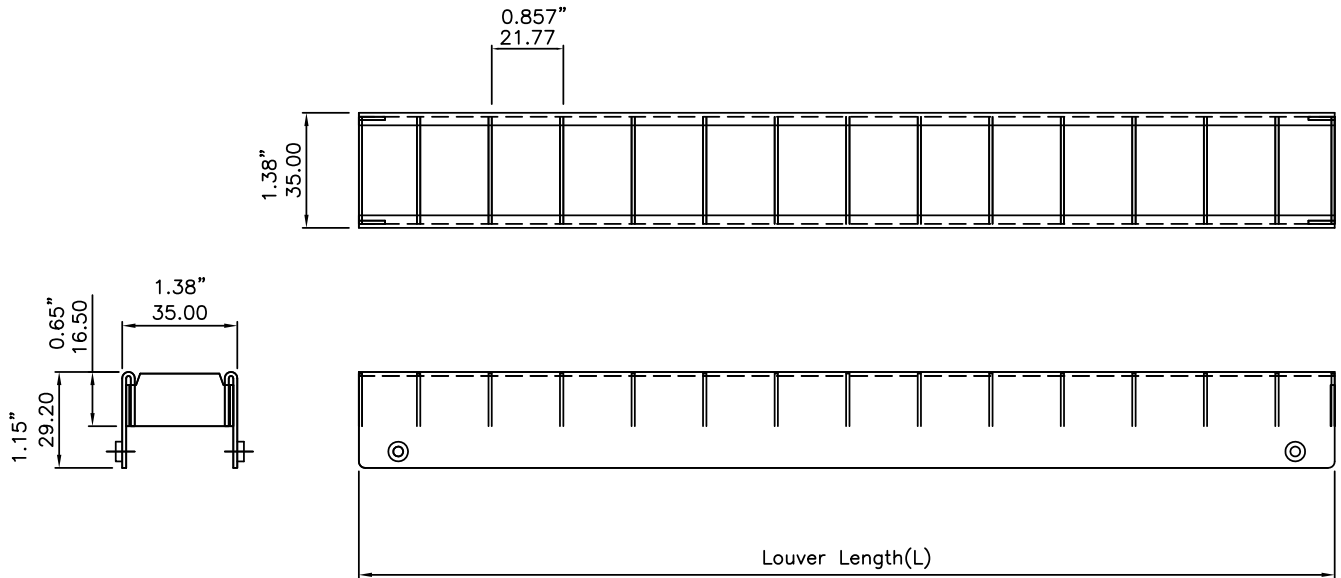
## 36" AND 48" EXTRUSIONS WITH TWO THREADED ARMS



# HB30 Louvers

FIXTURES SOLD SEPARATELY

## LOUVERS



LTW 3pin Connector  
Male

LTW 3pin Connector  
Female