



HB3014RH

EXTERIOR LINEAR LED LIGHTBAR

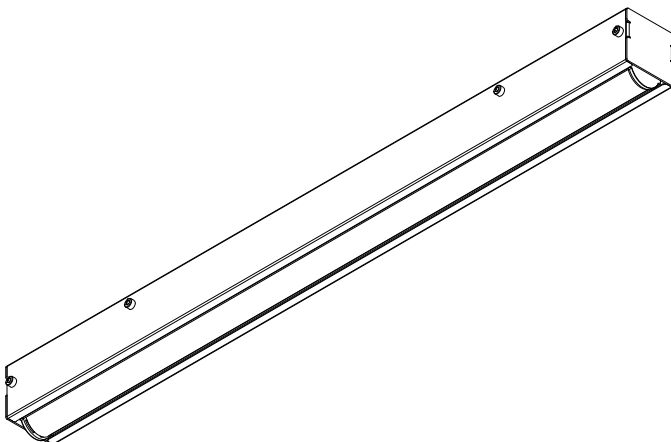
POWERFUL | COMPACT | LOW PROFILE
 4.5w/ft | 365lm/ft - 7w/ft | 458lm/ft

Ceiling mounted lighting system

A compact and efficient linear exterior rated fixture recessed in a black powder coated housing ideal for use in individual or row configuration for ceiling mounted applications. This low-profile, high-performance spec-grade luminaire is equipped with a universal 100/277VAC integral driver and is available in four lengths with a variety of color temperatures.

Utilizing Nichia bin-sorted LEDs within a 2-step MacAdam ellipse, the HB3014RH delivers consistent, high-quality even illumination sought after in architectural designs. Our full thermal management system ensures extremely low junction temperatures at the solder point to extend fixture life. Its durable powder coated aluminum housing allows for end-to-end connectivity, and a polycarbonate lens eliminates any lens discoloration.

The fixture is IP66 rated and the Plug and Play connectors make installation straightforward, offering a reliable and elegant lighting solution.



SPECIFICATIONS

PERFORMANCE

Output

4.5w/ft | 356lm/ft, 7w/ft | 458lm/ft

Color Temperatures

22k, 27k, 30k, 35k, 41k, 50k, 65k, R, G, B, A

Beam Angles

120°

LEDs per Foot

14

LED's

Nichia bin-sorted

Color Consistency

2 SCDM

CRI

80+ std, 90+ optional

ELECTRICAL

Input Voltage

100-277vac

Power Supply

Integral

Control

0-10v dimming

Heat dissipation

Full thermal management system

Connection

Quick connect plug and play system

Projected Lumen Maintenance

>90,000 hours

PHYSICAL

Fixture Length Options

12", 24", 36", 48"

Max Run Length

4w - 295ft@277vac, 128ft@120vac

7w - 147ft@277vac, 64ft@120vac

Housing

Anodized extruded aluminum, tooled end caps

Lens

Polycarbonate

Fixture Finish (Standard)

Black powder coat

Powder Coated Finish (Optional)

Bronze, White, CU

Standard Mounting

Black powder coated housing

Operating Temperature

-40°F to 122°F, (-40°C to 50°C)

ENVIRONMENT AND WARRANTY

IP Rating

IP66

Environment

Dry, Damp or Wet locations

0-100v non-condensing humidity

Certifications

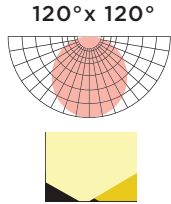
UL, cUL

Warranty

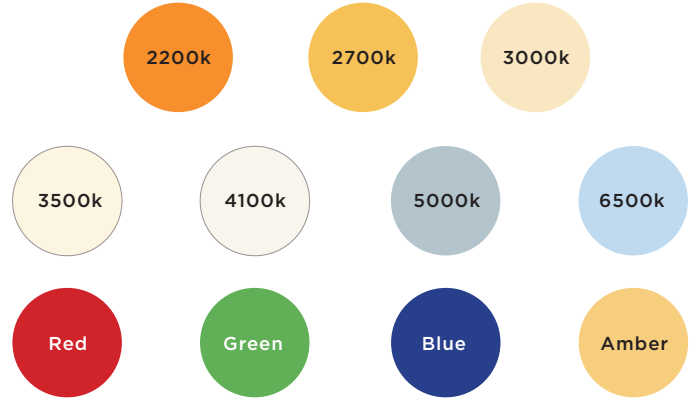
5 year limited warranty

SPECIFICATIONS

OPTICS



COLOR TEMPERATURES

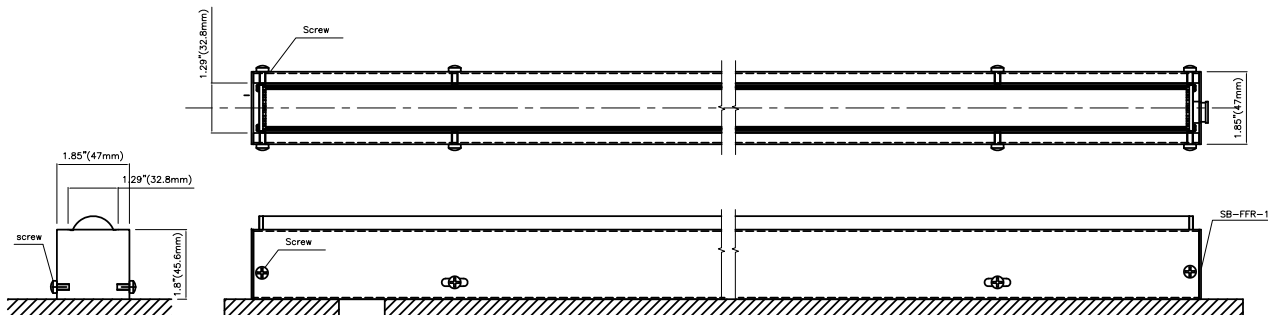


DIMENSIONS AND DATA

4.5w/ft	Voltage	View Angle	Watts/ Fixture	Lumens/ Fixture	LEDs/ Fixture	Extrusion Length	Total Length
HB3014RH-1-XXK-XXD-ACD-4	100/ 270VAC	120°	4.5w	365	14	L=305.9mm	L=306.8mm (12.1")
HB3014RH-2-XXK-XXD-ACD-4			9w	730	28	L=606.8mm	L=611.8mm (24.1")
HB3014RH-3-XXK-XXD-ACD-4			13.5w	1095	42	L=911.4mm	L=916.4mm (36.1")
HB3014RH-4-XXK-XXD-ACD-4			18w	1460	56	L=1216.2mm	L=1221.2mm (48.1")

7w/ft	Voltage	View Angle	Watts/ Fixture	Lumens/ Fixture	LEDs/ Fixture	Extrusion Length	Total Length
HB3014RH-1-XXK-XXD-ACD-7	100/ 270VAC	120°	7w	458	14	L=305.9mm	L=306.8mm (12.1")
HB3014RH-2-XXK-XXD-ACD-7			14w	916	28	L=606.8mm	L=611.8mm (24.1")
HB3014RH-3-XXK-XXD-ACD-7			21w	1374	42	L=911.4mm	L=916.4mm (36.1")
HB3014RH-4-XXK-XXD-ACD-7			28w	1832	56	L=1216.2mm	L=1221.2mm (48.1")

PROFILE



	TOTAL LENGTH	LENGTH BETWEEN TWO CLIPS
HB30 1FT	12.5"(317.4mm)	(one clip)
HB30 2FT	24.5"(622.2mm)	14.0"(355.6mm)
HB30 3FT	36.5"(927mm)	26.0"(660.4mm)
HB30 4FT	48.5"(1231.8mm)	38.0"(965.2mm)

ORDER FORM

CREATE YOUR FIXTURE

Ex. HB3014RH-4-41K-120-ACD-4

MODEL	LENGTH	COLOR	OPTICS
HB3014RH	12" 12 inches 24" 24 inches 36" 36 inches 48" 48 inches	22k 2200k R Red 27k 2700k G Green 30k 3000k B Blue 35k 3500k A Amber 41k 4100k 50k 5000k 65k 6500k	120 120°x120°
VOLTAGE	CONTROL	POWER	
AC 100-277vac	D 0-10v Dimming ND Non Dimming	4 4.5w/ft 7 7w/ft	

SELECT CONNECTION

Wire Lead

QTY	POWER/SIGNAL	
	AL-HB5P-72"-W/L	72" (6ft) Wire lead 5pin
	AL-HB5P-xx"-W/L	xx" (CU) Wire lead 5pin
QTY	POWER	
	AL-HB3P-72"-W/L	72" (6ft) Wire lead 3pin
	AL-HB3P-xx"-W/L	xx" (CU) Wire lead 3pin

* 1 wire lead required for each run.

End Cap

QTY		
	AL-HB3P-ENDCAP	End cap for fixture output at end of run

* 1 End cap required at the end of each run

Jumper Cable

QTY	POWER/SIGNAL	
	AL-HB5P-12"-J	12" (1ft) jumper 5pin
	AL-HB5P-72"-J	72" (6ft) jumper 5pin
	AL-HB5P-xx"-J	xx" (CU) jumper 5pin
QTY	POWER	
	AL-HB3P-12"-J	12" (1ft) jumper 3pin
	AL-HB3P-72"-J	72" (6ft) jumper 3pin
	AL-HB3P-xx"-J	xx" (CU) jumper 3pin

* Fixtures are end to end connected. Use jumpers if space is needed between fixtures.

ADDITIONAL OPTIONS

0-10V Dimmer

QTY		
	LUT-DVSTV-WH	0-10v dimming wall switch

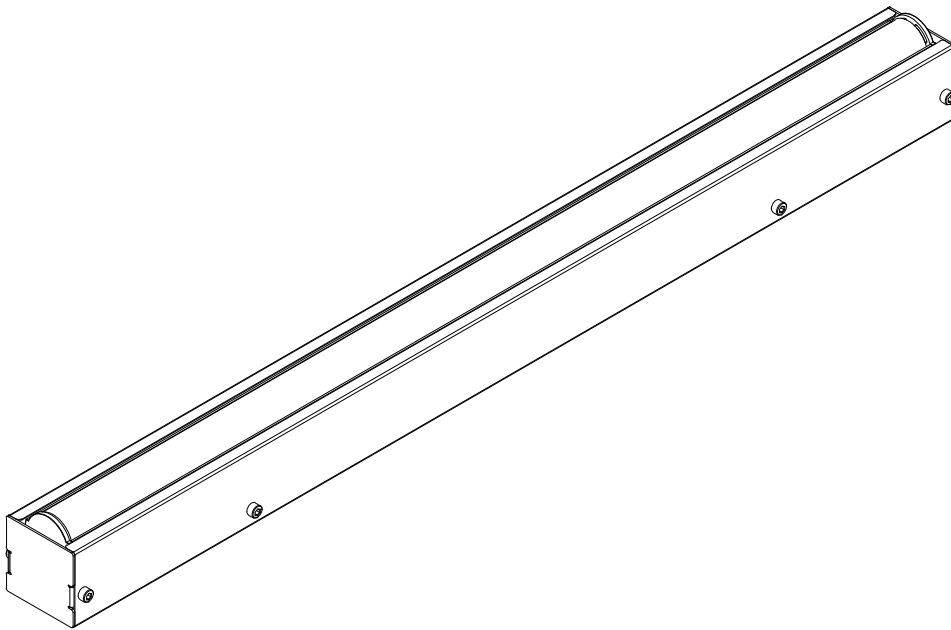
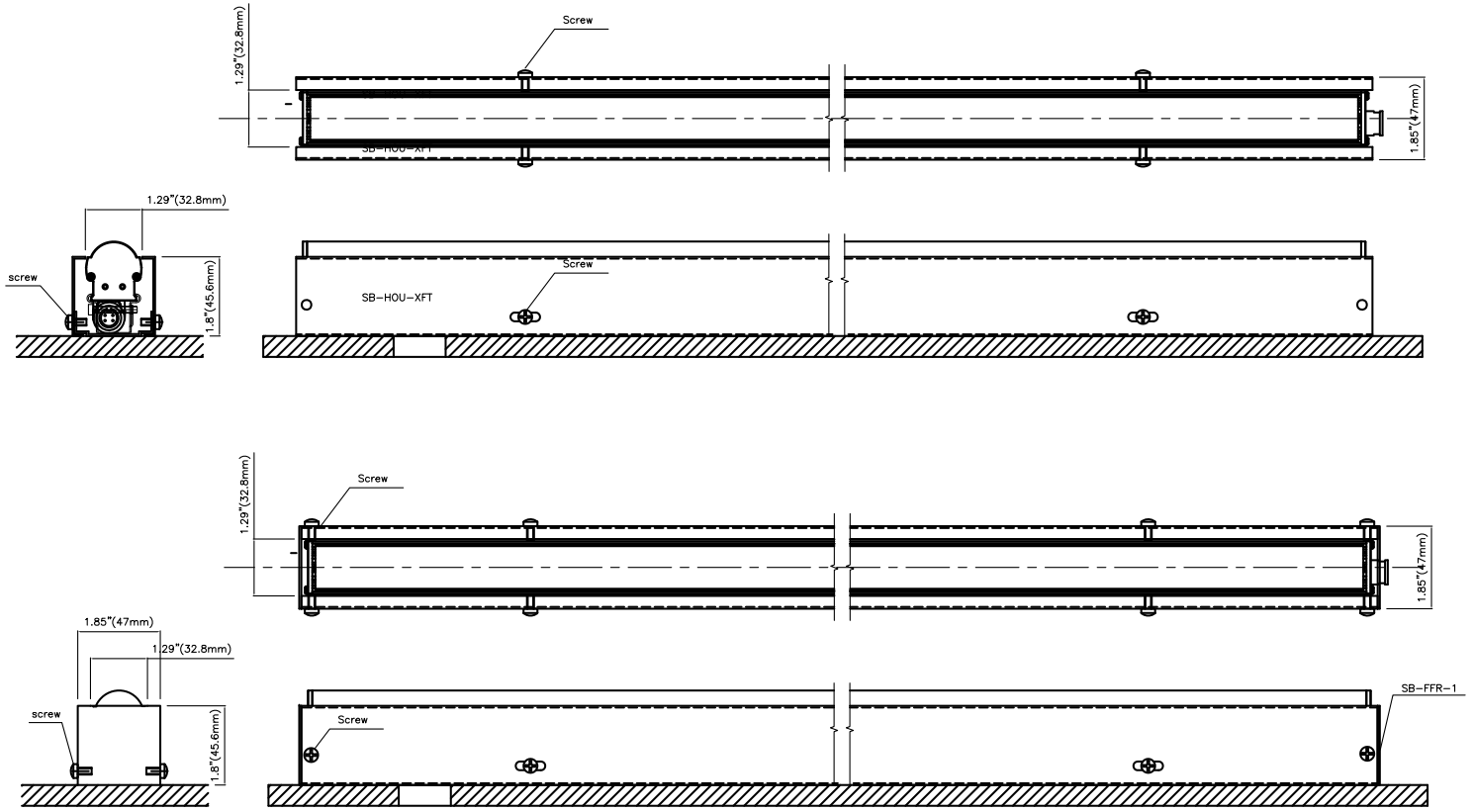
Surge Protection

QTY		
	LSP4-UNV	120/277v surge protector

HB3014RH EXTERIOR LINEAR LED LIGHTBAR

Date:
Type:
Project:
Firm:

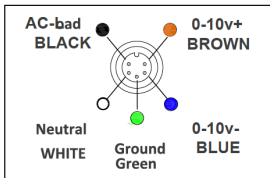
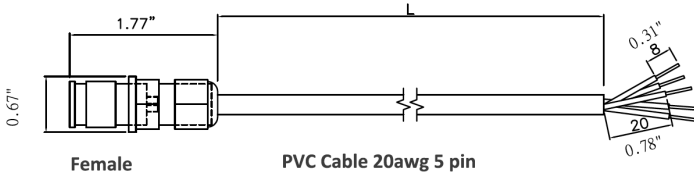
PROFILE



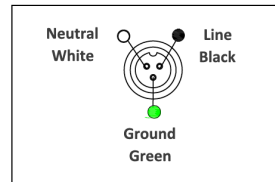
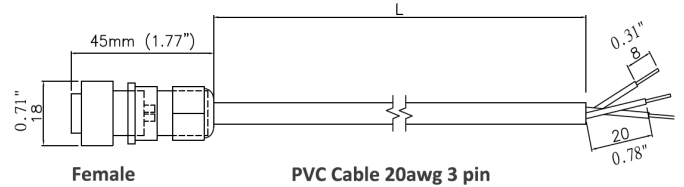
WIRING OPTIONS

WIRE LEAD

DESCRIPTION | **PART NUMBER**
 5 pin power / signal wire | AL-HB5P-xx"-W/L

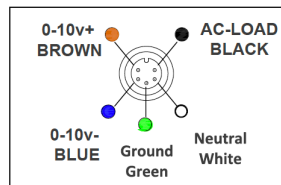
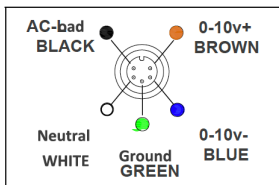
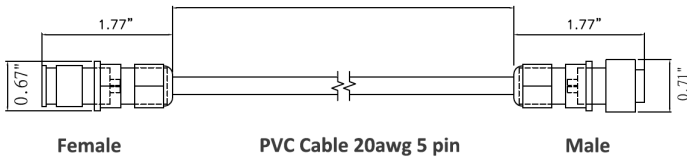


DESCRIPTION | **PART NUMBER**
 3 pin power wire | AL-HB3P-xx"-W/L

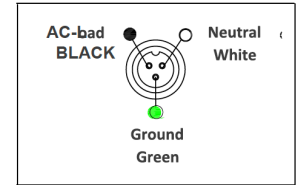
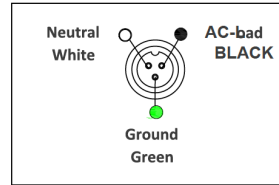
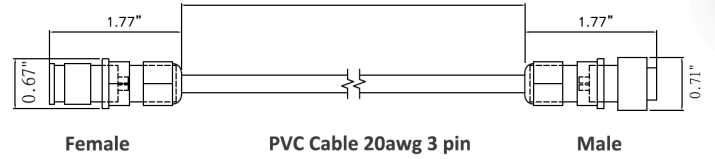


JUMPER CABLE

DESCRIPTION | **PART NUMBER**
 5 pin power / signal jumper | AL-HB5P-xx"-W/L



DESCRIPTION | **PART NUMBER**
 3 pin power jumper | AL-HB3P-xx"- J



SURGE PROTECTION DEVICE

Date:
 Type:
 Project:
 Firm:

SURGE PROTECTION

DESCRIPTION

Surge Protection Device

PART NUMBER

AL-LSP-UNV

The use of a surge protection device is necessary to maintain your warranty. Specifications are subject to change without notice.

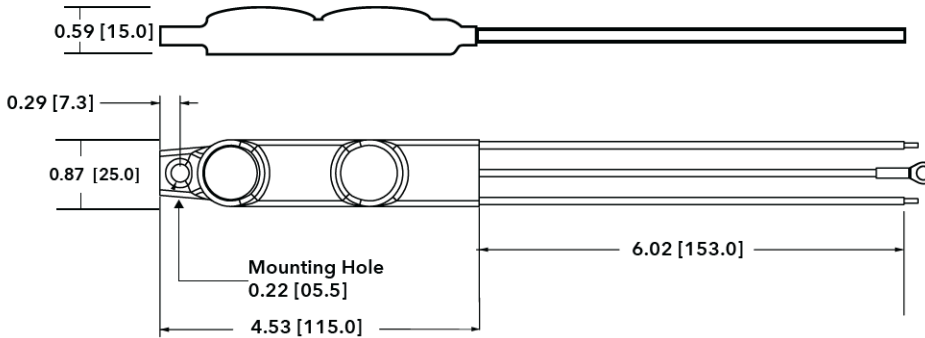
SPECIFICATIONS

Input Voltage	120-277V (+/- 5%)		
Frequency	50Hz-60Hz		
Maximum Continuous Voltage	320V		
Maximum Discharge Current	L-N 20kA; L-G, N-G 10kA (8/20Qs standard wave)		
Nominal Discharge Current	5kA		
Measured Limiting Voltage (VpK)	L-N	L-G	N-G
	1200	1320	1320
Max Case Temperature	85°C		

PULSE RATING (8 X 20 SEC)		
Surge Level	# of Strikes	
	L-N	L-G, N-G
10,000A	*2	1
6,500A	4	2
5,000A	30	15
2,000A	200	100
700A	20000	1000

*1 strike at 20,000A

MECHANICAL DIMENSIONS : IN (MM)



WIRING DIAGRAM

