



# HB3014i

## INTERIOR LINEAR LED LIGHTBAR

POWERFUL | COMPACT | LOW PROFILE  
 4.5w/ft-7.5w/ft | 458-557lm/ft



HB30i Series

The HB30i Series are compact, high performance linear fixtures designed to fit in narrow locations. Nichia bin-sorted LEDs produce high quality, even illumination.

Multiple options are available for fixture length, color temperature, optical lenses, mounting and housing finish. Fixtures contain an integral universal power supply, full thermal management, and feature a plug and play cable system carrying power for ease of installation.

Choose from a variety of mounting options and bottom or side wire feed.

Perfect for grazing, wall-washing and general illumination of coves and surfaces.



## SPECIFICATIONS

### PERFORMANCE

#### Output

4.5w/ft - 458lm/ft | 7.5w/ft - 557lm/ft

#### Color Temperatures

22k, 25k, 27k, 30k, 35k, 41k, 50k, 65k, R, G, B, A

#### Beam Angles

15°, 30°, 45°, 120°, 30°x60°

#### LEDs per Foot

14

#### LED's

Nichia bin-sorted

#### Color Consistency

2 SCDM

#### CRI

85 standard, 95 optional

### ELECTRICAL

#### Input Voltage

100-277vac

#### Power Supply

Integral

#### Control

0-10v dimming

#### Heat dissipation

Full thermal management system

#### Connection

Quick connect plug and play system  
(power and signal in one cable)

#### Projected Lumen Maintenance

>90,000 hours

### PHYSICAL

#### Fixture Length Options

1', 2', 3' 4'

#### Max Run Length

4.5w - 251ft@277vac, 109ft@120vac

7.5w - 147ft@277vac, 64ft@120vac

#### Housing

Anodized extruded aluminum, tooled end caps

#### Lens

Polycarbonate

#### Fixture Finish (Standard)

Anodized aluminum

#### Powder Coated Finish (Optional)

Black, Bronze, White, CU

#### Standard Mounting

Stainless adjustable or flat brackets

#### Operating Temperature

-40°F to 122°F, (-40°C to 50°C)

### ENVIRONMENT AND WARRANTY

#### IP Rating

IP40

#### Environment

Dry locations

#### Certifications

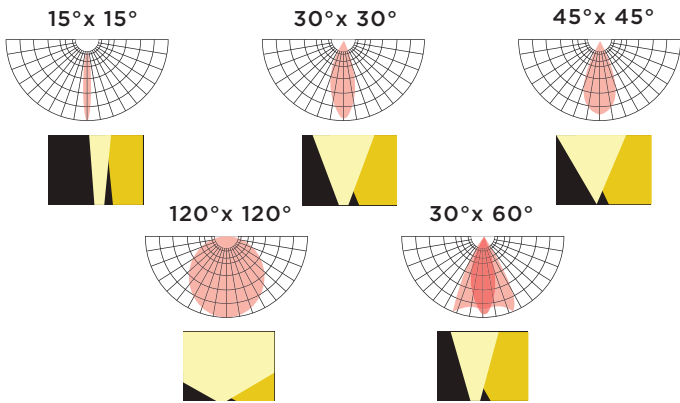
UL, cUL

#### Warranty

5 year limited warranty

## SPECIFICATIONS

### OPTICS



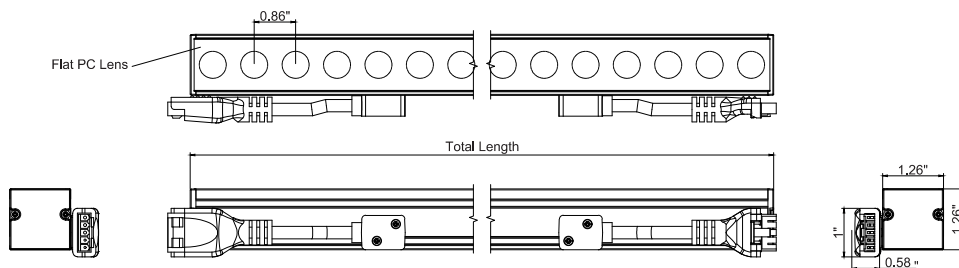
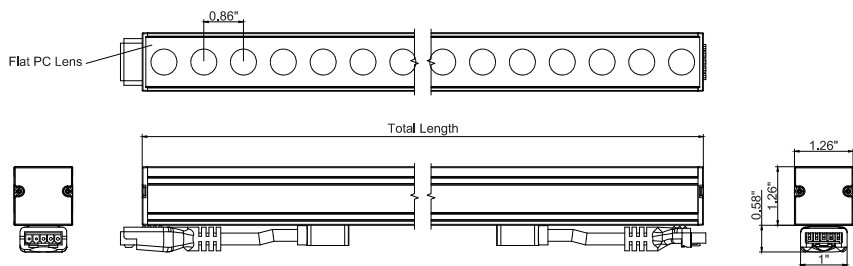
### COLOR TEMPERATURES



### DIMENSIONS AND DATA

|                         | Voltage    | View Angle                       | Watts/ Fixture | Lumens/ Fixture | LEDs/ Fixture | Extrusion Length | Total Length       |
|-------------------------|------------|----------------------------------|----------------|-----------------|---------------|------------------|--------------------|
| HB3014i-1-XXK-XXD-ACD-4 | 100-277VAC | 15°, 30°<br>45°, 120°<br>30°x60° | 4.9w           | 458             | 14            | L=305.9mm        | L=306.8mm (12.1")  |
| HB3014i-2-XXK-XXD-ACD-4 |            |                                  | 9.6w           | 916             | 28            | L=606.8mm        | L=611.8mm (24.1")  |
| HB3014i-3-XXK-XXD-ACD-4 |            |                                  | 13.2w          | 1352            | 42            | L=911.4mm        | L=916.4mm (36.1")  |
| HB3014i-4-XXK-XXD-ACD-4 |            |                                  | 17.6w          | 1747            | 56            | L=1216.2mm       | L=1221.2mm (48.1") |
| HB3014i-1-XXK-XXD-ACD-7 | 100-277VAC | 15°, 30°<br>45°, 120°<br>30°x60° | 7.5w           | 557             | 14            | L=305.9mm        | L=306.8mm (12.1")  |
| HB3014i-2-XXK-XXD-ACD-7 |            |                                  | 15.0w          | 1114            | 28            | L=606.8mm        | L=611.8mm (24.1")  |
| HB3014i-3-XXK-XXD-ACD-7 |            |                                  | 22.5w          | 1671            | 42            | L=911.4mm        | L=916.4mm (36.1")  |
| HB3014i-4-XXK-XXD-ACD-7 |            |                                  | 30.0w          | 2228            | 56            | L=1216.2mm       | L=1221.2mm (48.1") |

### PROFILES



## ORDER FORM

### CREATE YOUR FIXTURE

Ex. HB3014i-4-30K-15-ACD

| MODEL         | LENGTH   | COLOR  | OPTICS  |
|---------------|--|--|---|
| HB3014i       | 1' 12 inches<br>2' 24 inches<br>3' 36 inches<br>4' 48 inches | 22k 2200k R Red<br>27k 2700k G Green<br>30k 3000k B Blue<br>35k 3500k A Amber<br>41k 4100k<br>50k 5000k<br>65k 6500k | 15 15°x15°<br>30 30°x30°<br>3060 30°x60°<br>45 45°x45°<br>120 120°x120° |
| VOLTAGE       | CONTROL  | POWER  |   |
| AC 100-277vac | D 0-10v Dimming<br>ND Non Dimming                            | 4 4.5w/ft<br>7 7.5w/ft   |   |

### SELECT CONNECTION

#### Wire Lead

| QTY | POWER/SIGNAL    |                          |
|-----|-----------------|--------------------------|
|     | AL-HB5P-72"-W/L | 72" (6ft) Wire lead 5pin |
|     | AL-HB5P-xx"-W/L | xx" (CU) Wire lead 5pin  |
| QTY | POWER           |                          |
|     | AL-HB3P-72"-W/L | 72" (6ft) Wire lead 3pin |
|     | AL-HB3P-xx"-W/L | xx" (CU) Wire lead 3pin  |

\* 1 wire lead required for each run.

#### End Cap

| QTY |                |  |
|-----|----------------|--|
|     | AL-HB3P-ENDCAP | End cap for fixture output at end of run |

\* 1 End cap required at the end of each run

#### Jumper Cable

| QTY | POWER/SIGNAL  |                       |
|-----|---------------|-----------------------|
|     | AL-HB5P-12"-J | 12" (1ft) jumper 5pin |
|     | AL-HB5P-72"-J | 72" (6ft) jumper 5pin |
|     | AL-HB5P-xx"-J | xx" (CU) jumper 5pin  |
| QTY | POWER         |                       |
|     | AL-HB3P-12"-J | 12" (1ft) jumper 3pin |
|     | AL-HB3P-72"-J | 72" (6ft) jumper 3pin |
|     | AL-HB3P-xx"-J | xx" (CU) jumper 3pin  |

\* Fixtures are end to end connected. Use jumpers if space is needed between fixtures.

### ADDITIONAL OPTIONS

#### Optional Powder Coated Finish

| QTY | POWDER COATED FINISHES AVAILABLE FOR ADDITIONAL COST |
|-----|--|
|     | BK Black   |
|     | BZ Bronze  |
|     | WH White   |
|     | CU Custom  |

\* Fixture housing is anodized aluminum standard

#### 0-10V Dimmer

| QTY |              |                           |
|-----|--------------|---------------------------|
|     | LUT-DVSTV-WH | 0-10v dimming wall switch |

#### Surge Protection

| QTY |          |                          |
|-----|----------|--------------------------|
|     | LSP4-UNV | 120/277v surge protector |

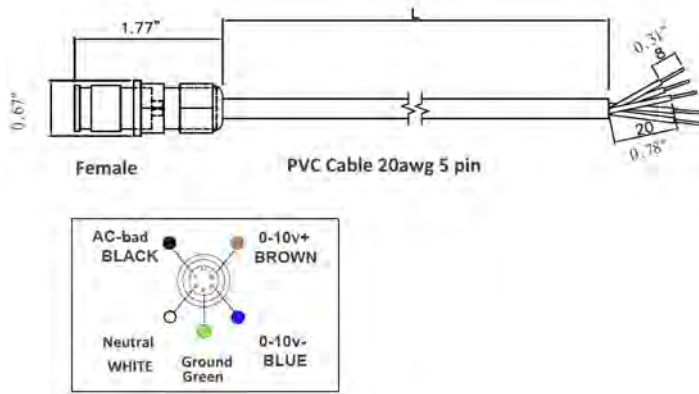
### SELECT MOUNTING

| QTY | MOUNTING BRACKETS - 2 PER FIXTURE |                                     |
|-----|-----------------------------------|-------------------------------------|
|     | AL-ID30-ADJ BRACKET               | HB30i Adjustable bracket            |
|     | AL-ID30-FLAT BRACKET              | HB30i Flat bracket bottom wire feed |
|     | AL-ID30-FSF BRACKET               | HB30i Flat bracket side wire feed   |

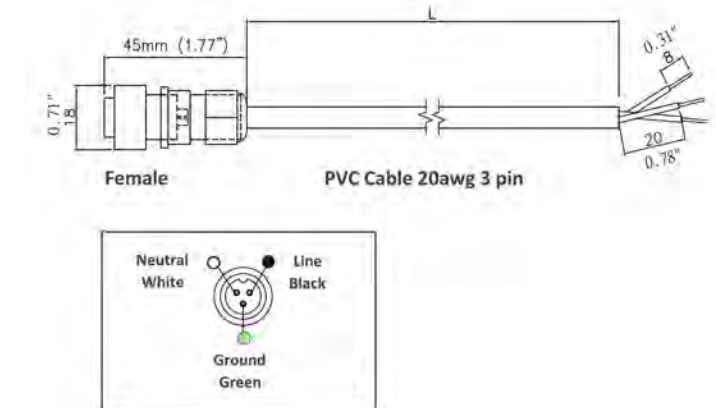
## WIRING OPTIONS

### WIRE LEAD

**DESCRIPTION** | **PART NUMBER**  
 5 pin power / signal wire | AL-HB5P-xx"-W/L

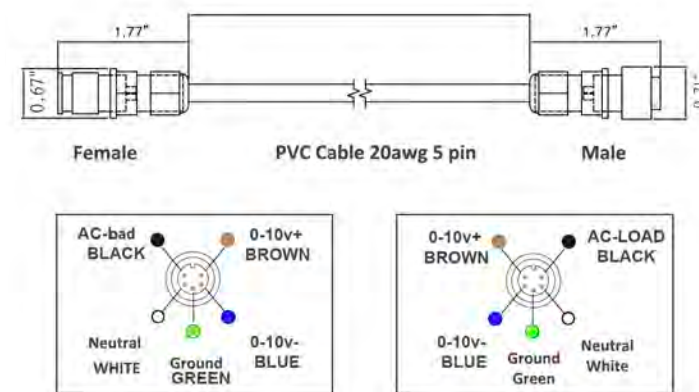


**DESCRIPTION** | **PART NUMBER**  
 3 pin power wire | AL-HB3P-xx"-W/L

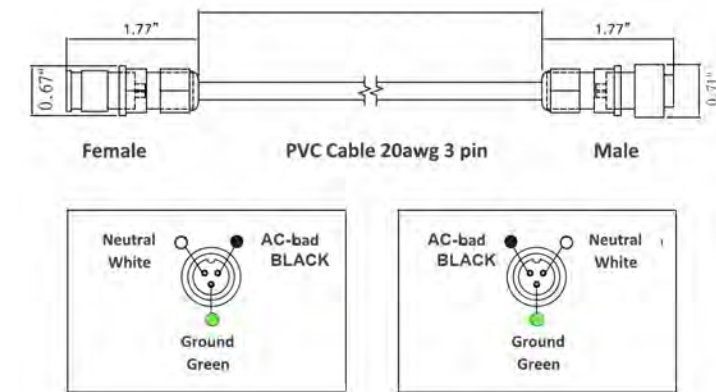


### JUMPER CABLE

**DESCRIPTION** | **PART NUMBER**  
 5 pin power / signal jumper | AL-HB5P-xx"-J



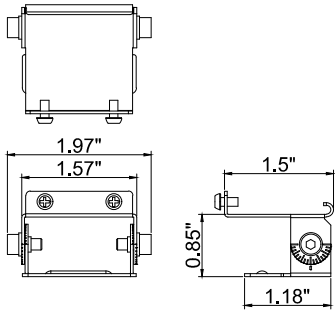
**DESCRIPTION** | **PART NUMBER**  
 3 pin power jumper | AL-HB3P-xx"-J



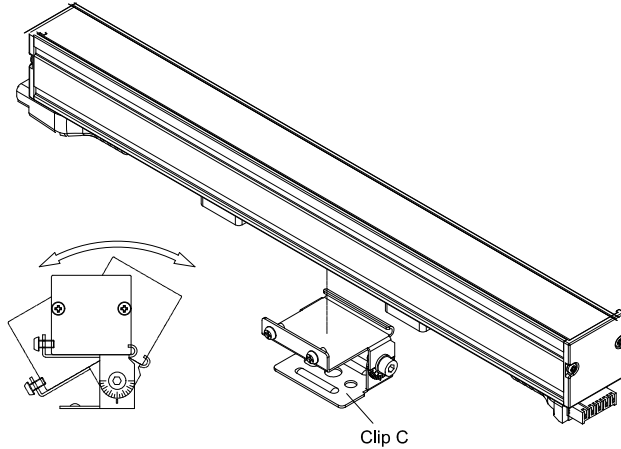
## MOUNTING BRACKETS

### ADJUSTABLE BRACKETS

**DESCRIPTION** | **PART NUMBER**  
 HB30i Adjustable Bracket | AL-ID30 ADJ.Bracket

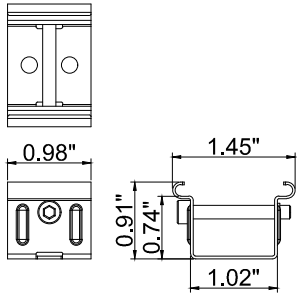


Clip C

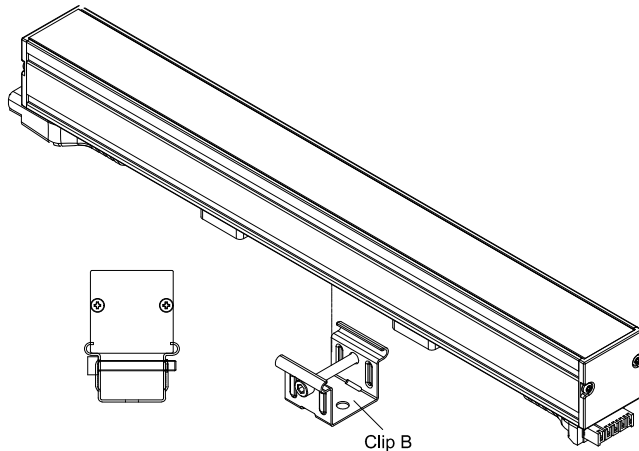


### FLAT BOTTOM FEED BRACKETS

**DESCRIPTION** | **PART NUMBER**  
 HB30 Flat Bracket - bottom wire feed | AL-ID30-Flat Bracket

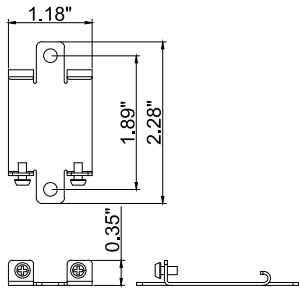


Clip B

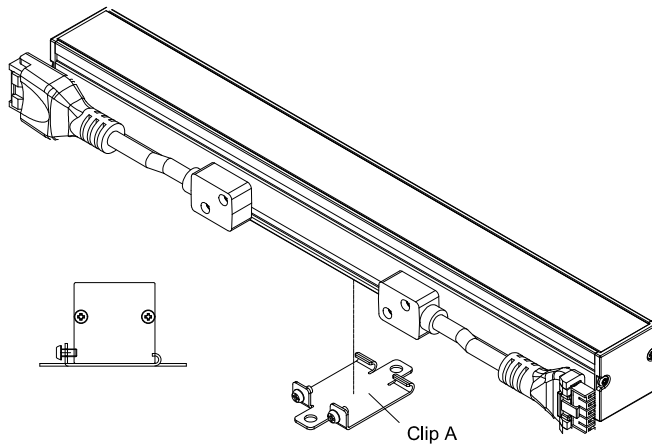


### FLAT SIDE FEED BRACKETS

**DESCRIPTION** | **PART NUMBER**  
 HB30 Flat Bracket - side wire feed | AL-ID30-FSF Bracket



Clip A





# SURGE PROTECTION DEVICE

## SURGE PROTECTION

**DESCRIPTION** | **PART NUMBER** | The use of a surge protection device is necessary to maintain your warranty. Specifications are subject to change without notice.

Surge Protection Device | AL-LSP-UNV

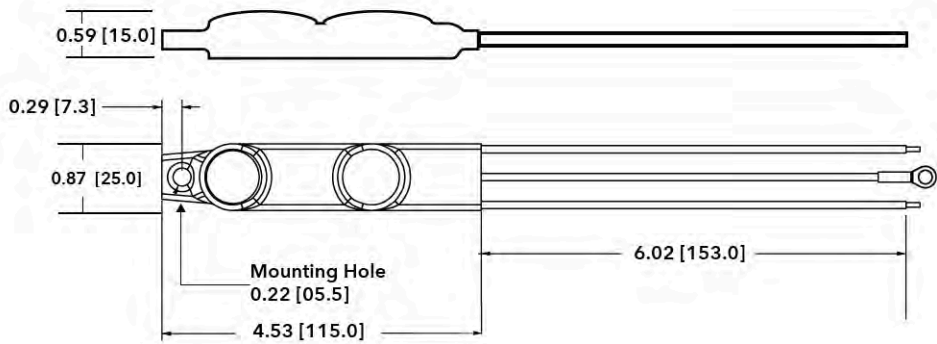
### SPECIFICATIONS

|                                 |  |      |      |
|---------------------------------|--|------|------|
| Input Voltage                   | 120-277V (+/- 5%)                              |      |      |
| Frequency                       | 50Hz-60Hz                                      |      |      |
| Maximum Continuous Voltage      | 320V   |      |      |
| Maximum Discharge Current       | L-N 20kA; L-G, N-G 10kA (8/20Qs standard wave) |      |      |
| Nominal Discharge Current       | 5kA  |      |      |
| Measured Limiting Voltage (VpK) | L-N  | L-G  | N-G  |
|                                 | 1200   | 1320 | 1320 |
| Max Case Temperature            | 85°C   |      |      |

| PULSE RATING (8 X 20 SEC) |              |          |
|---------------------------|--------------|----------|
| Surge Level               | # of Strikes |          |
|                           | L-N          | L-G, N-G |
| 10,000A                   | *2           | 1        |
| 6,500A                    | 4            | 2        |
| 5,000A                    | 30           | 15       |
| 2,000A                    | 200          | 100      |
| 700A                      | 20000        | 1000     |

\*1 strike at 20,000A

### MECHANICAL DIMENSIONS : IN (MM)



### WIRING DIAGRAM

