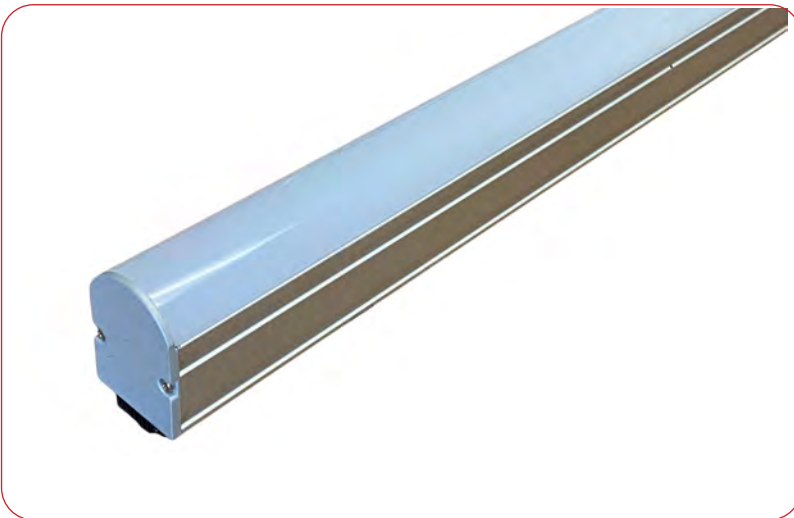




HB3014IR

INTERIOR LINEAR LED LIGHTBAR

POWERFUL | COMPACT | LOW PROFILE
 4.5w/ft-7.5w/ft | 365-458m/ft



HB30i Series

The HB30i Series are compact, high performance linear fixtures designed to fit in narrow locations. Nichia bin-sorted LEDs produce high quality, even illumination.

Multiple options are available for fixture length, color temperature, mounting and housing finish. Fixtures contain an integral universal power supply, full thermal management, and feature a plug and play cable system carrying power for ease of installation.

Choose from a variety of mounting options and bottom or side wire feed. Single run lengths over 250ft.

Perfect for non pixelated, even illumination.



SPECIFICATIONS

PERFORMANCE

Output

4.5w/ft - 365lm/ft | 7.5w/ft - 458m/ft

Color Temperatures

22k, 25k, 27k, 30k, 35k, 41k, 50k, 65k, R, G, B, A

Beam Angles

120°

LEDs per Foot

14

LED's

Nichia bin-sorted

Color Consistency

2 SCDM

CRI

85 standard, 95 optional

ELECTRICAL

Input Voltage

100-277vac

Power Supply

Integral

Control

0-10v dimming

Heat dissipation

Full thermal management system

Connection

Quick connect plug and play system
(power and signal in one cable)

Projected Lumen Maintenance

>90,000 hours

PHYSICAL

Fixture Length Options

1', 2', 3' 4'

Max Run Length

4.5w - 251ft@277vac, 109ft@120vac

7.5w - 147ft@277vac, 64ft@120vac

Housing

Anodized extruded aluminum, tooled end caps

Lens

Polycarbonate

Fixture Finish (Standard)

Anodized aluminum

Powder Coated Finish (Optional)

Black, Bronze, White, CU

Standard Mounting

Stainless adjustable or flat brackets

Operating Temperature

-40°F to 122°F, (-40°C to 50°C)

ENVIRONMENT AND WARRANTY

IP Rating

IP40

Environment

Dry locations

Certifications

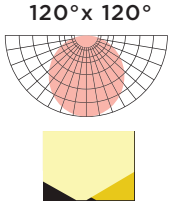
UL, cUL

Warranty

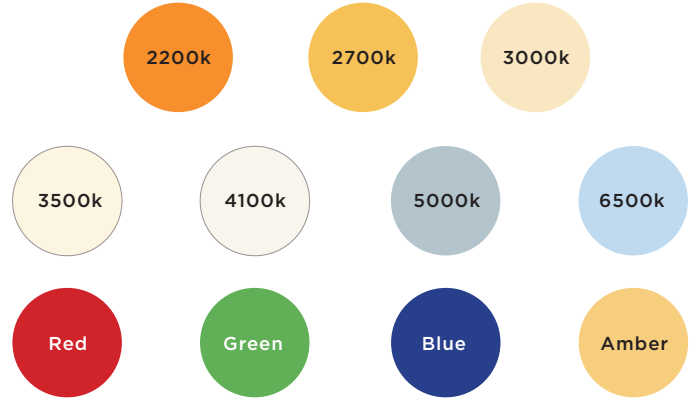
5 year limited warranty

SPECIFICATIONS

OPTICS



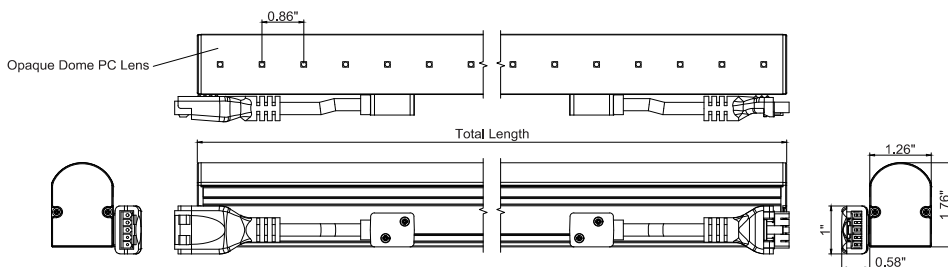
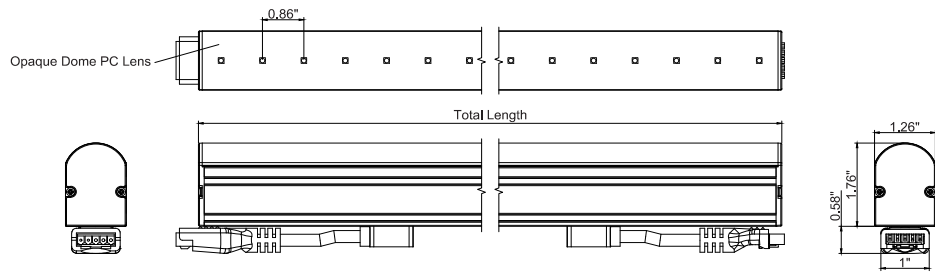
COLOR TEMPERATURES



DIMENSIONS AND DATA

	Voltage	View Angle	Watts/ Fixture	Lumens/ Fixture	LEDs/ Fixture	Extrusion Length	Total Length
HB3014ir-1-XXK-XXD-ACD-4	100-277VAC	15°, 30° 45°, 120° 30°x60°	4.9w	365	14	L=305.9mm	L=306.8mm (12.1")
HB3014ir-2-XXK-XXD-ACD-4			9.6w	730	28	L=606.8mm	L=611.8mm (24.1")
HB3014ir-3-XXK-XXD-ACD-4			13.2w	1095	42	L=911.4mm	L=916.4mm (36.1")
HB3014ir-4-XXK-XXD-ACD-4			17.6w	1460	56	L=1216.2mm	L=1221.2mm (48.1")
HB3014ir-1-XXK-XXD-ACD-7	100-277VAC	15°, 30° 45°, 120° 30°x60°	7.5w	456	14	L=305.9mm	L=306.8mm (12.1")
HB3014ir-2-XXK-XXD-ACD-7			15.0w	912	28	L=606.8mm	L=611.8mm (24.1")
HB3014ir-3-XXK-XXD-ACD-7			22.5w	1370	42	L=911.4mm	L=916.4mm (36.1")
HB3014ir-4-XXK-XXD-ACD-7			30.0w	1828	56	L=1216.2mm	L=1221.2mm (48.1")

PROFILES



ORDER FORM

CREATE YOUR FIXTURE

Ex. HB3014ir-4-30K-120-ACD

MODEL	LENGTH	COLOR	OPTICS
HB3014ir	1' 12 inches 2' 24 inches 3' 36 inches 4' 48 inches	22k 2200k R Red 27k 2700k G Green 30k 3000k B Blue 35k 3500k A Amber 41k 4100k 50k 5000k 65k 6500k	120 120°x120°
VOLTAGE	CONTROL	POWER	
AC 100-277vac	D 0-10v Dimming ND Non Dimming	4 4.5w/ft 7 7.5w/ft	

SELECT CONNECTION

Wire Lead

QTY	POWER/SIGNAL	
	AL-HB5P-72"-W/L	72" (6ft) Wire lead 5pin
	AL-HB5P-xx"-W/L	xx" (CU) Wire lead 5pin
QTY	POWER	
	AL-HB3P-72"-W/L	72" (6ft) Wire lead 3pin
	AL-HB3P-xx"-W/L	xx" (CU) Wire lead 3pin

* 1 wire lead required for each run.

End Cap

QTY		
	AL-HB3P-ENDCAP	End cap for fixture output at end of run

* 1 End cap required at the end of each run

Jumper Cable

QTY	POWER/SIGNAL	
	AL-HB5P-12"-J	12" (1ft) jumper 5pin
	AL-HB5P-72"-J	72" (6ft) jumper 5pin
	AL-HB5P-xx"-J	xx" (CU) jumper 5pin
QTY	POWER	
	AL-HB3P-12"-J	12" (1ft) jumper 3pin
	AL-HB3P-72"-J	72" (6ft) jumper 3pin
	AL-HB3P-xx"-J	xx" (CU) jumper 3pin

* Fixtures are end to end connected. Use jumpers if space is needed between fixtures.

ADDITIONAL OPTIONS

Optional Powder Coated Finish

QTY	POWDER COATED FINISHES AVAILABLE FOR ADDITIONAL COST
	BK Black
	BZ Bronze
	WH White
	CU Custom

* Fixture housing is anodized aluminum standard

0-10V Dimmer

QTY		
	LUT-DVSTV-WH	0-10v dimming wall switch

Surge Protection

QTY		
	LSP4-UNV	120/277v surge protector

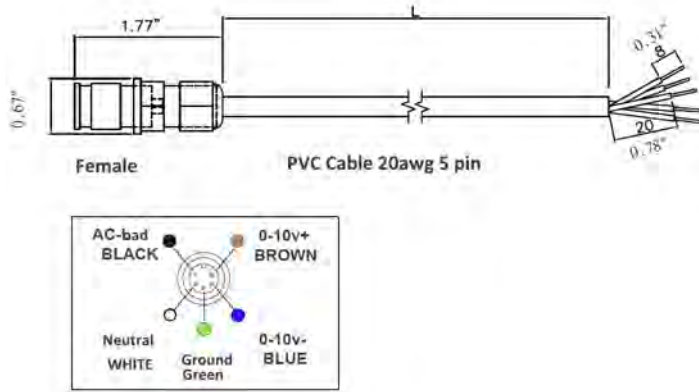
SELECT MOUNTING

QTY	MOUNTING BRACKETS - 2 PER FIXTURE
	AL-ID30-ADJ BRACKET HB30i Adjustable bracket
	AL-ID30-FLAT BRACKET HB30i Flat bracket bottom wire feed
	AL-ID30-FSF BRACKET HB30i Flat bracket side wire feed

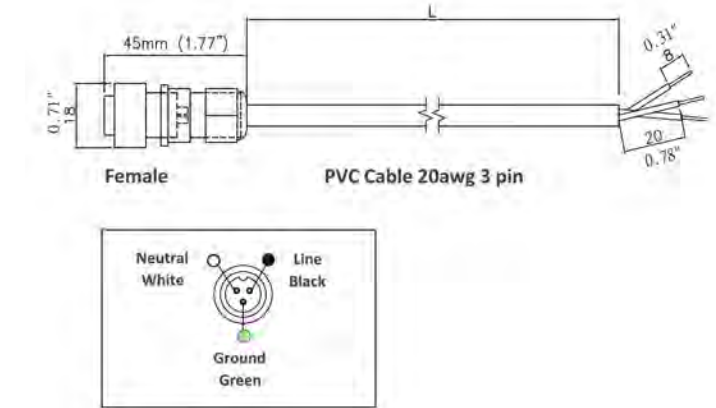
WIRING OPTIONS

WIRE LEAD

DESCRIPTION | **PART NUMBER**
 5 pin power / signal wire | AL-HB5P-xx"-W/L

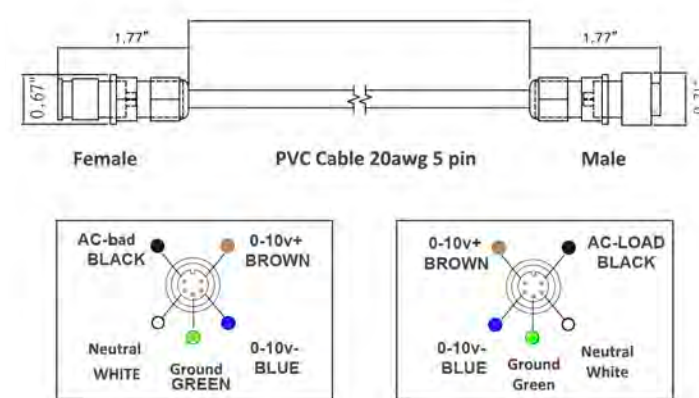


DESCRIPTION | **PART NUMBER**
 3 pin power wire | AL-HB3P-xx"-W/L

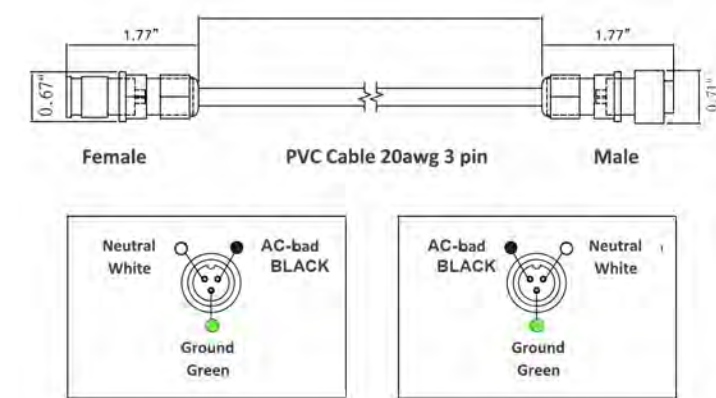


JUMPER CABLE

DESCRIPTION | **PART NUMBER**
 5 pin power / signal jumper | AL-HB5P-xx"-J



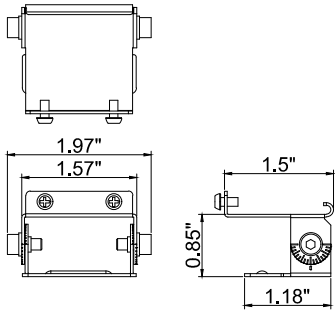
DESCRIPTION | **PART NUMBER**
 3 pin power jumper | AL-HB3P-xx"-J



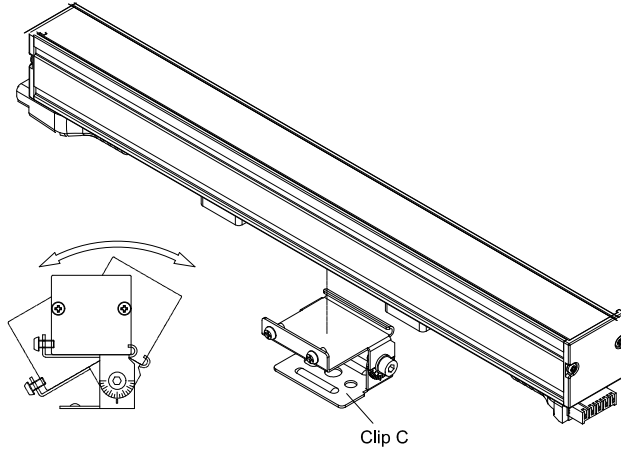
MOUNTING BRACKETS

ADJUSTABLE BRACKETS

DESCRIPTION | **PART NUMBER**
 HB30i Adjustable Bracket | AL-ID30 ADJ.Bracket

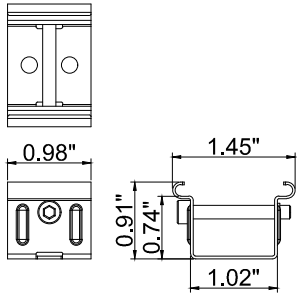


Clip C

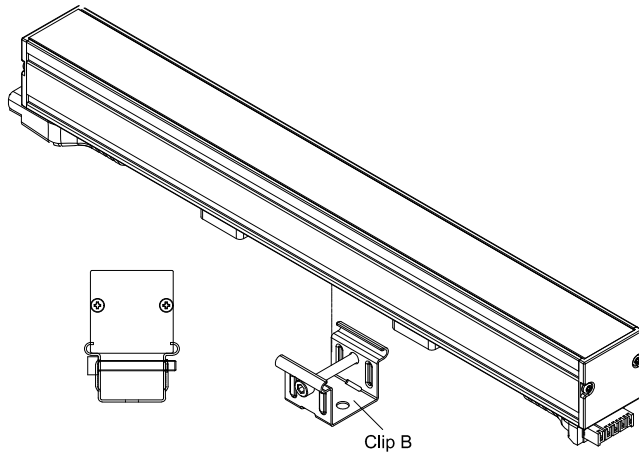


FLAT BOTTOM FEED BRACKETS

DESCRIPTION | **PART NUMBER**
 HB30 Flat Bracket - bottom wire feed | AL-ID30-Flat Bracket

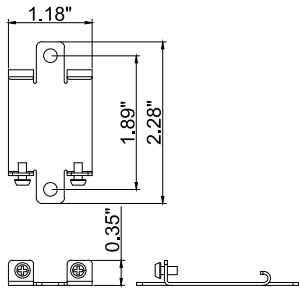


Clip B

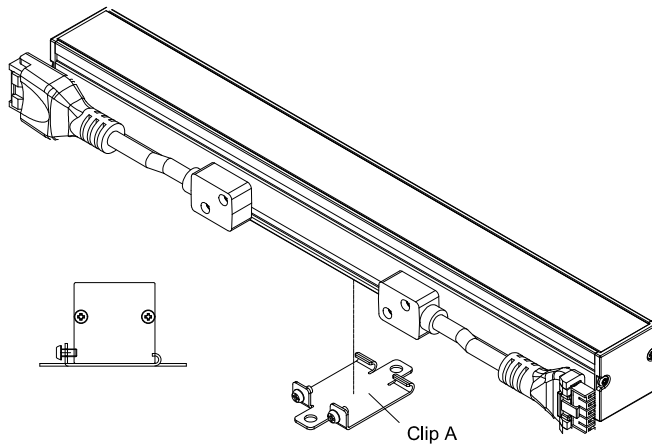


FLAT SIDE FEED BRACKETS

DESCRIPTION | **PART NUMBER**
 HB30 Flat Bracket - side wire feed | AL-ID30-FSF Bracket



Clip A



SURGE PROTECTION DEVICE

SURGE PROTECTION

DESCRIPTION | **PART NUMBER** | The use of a surge protection device is necessary to maintain your warranty. Specifications are subject to change without notice.

Surge Protection Device | AL-LSP-UNV

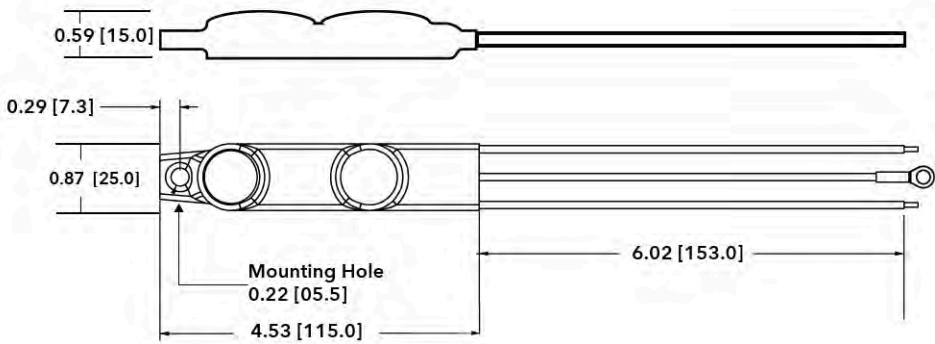
SPECIFICATIONS

Input Voltage	120-277V (+/- 5%)		
Frequency	50Hz-60Hz		
Maximum Continuous Voltage	320V		
Maximum Discharge Current	L-N 20kA; L-G, N-G 10kA (8/20Qs standard wave)		
Nominal Discharge Current	5kA		
Measured Limiting Voltage (VpK)	L-N	L-G	N-G
	1200	1320	1320
Max Case Temperature	85°C		

PULSE RATING (8 X 20 SEC)		
Surge Level	# of Strikes	
	L-N	L-G, N-G
10,000A	*2	1
6,500A	4	2
5,000A	30	15
2,000A	200	100
700A	20000	1000

*1 strike at 20,000A

MECHANICAL DIMENSIONS : IN (MM)



WIRING DIAGRAM

