



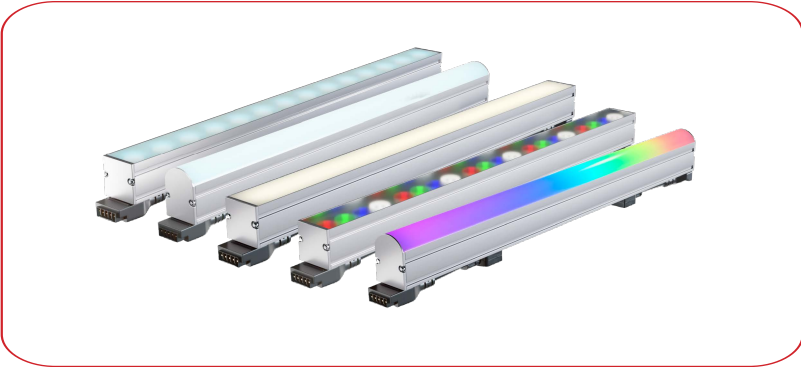
HB3016i RGBW

INTERIOR LINEAR LED LIGHTBAR

POWERFUL | COMPACT | LOW PROFILE
 6w/ft | RGBW | DMX

Grazing | Wall Washing | Cove | General Lighting

The Smart Lighting HB3016i RGBW Series is an affordable compact, high-performance color-changing LED luminaire designed for interior flood lighting, wall washing, grazing, and cove illumination. This low-profile, specification-grade fixture simplifies installation with an integral 100/277VAC driver and easy-to-use Plug & Play connectors. Utilize a range of optical lenses, all designed to maximize light output while minimizing power consumption, the HB3016i offers precise lighting control. Equipped with high-quality Nichia bin-sorted LEDs, the HB30 Series ensures even, superior illumination, favored by architects and lighting designers. Its DMX control and self-addressing capabilities provide versatility, with multiple options for fixture length, optics, and finishes. Further customization is available with bottom or side wire feeds and various mounting choices, making this series an economical solution for enhancing interior spaces with dynamic and efficient lighting.



HB30i Series Family



SPECIFICATIONS

PERFORMANCE

Output

5.6w/ft

Color Temperatures

RGBW

Beam Angles

15°, 30°, 45°, 120°, 30°x60°

LEDs per Foot

16 (4R, 4G, 4B, 4W)

LED's

Nichia bin-sorted

Color Consistency

2 SCDM

ELECTRICAL

Input Voltage

100-277vac

Power Supply

Integral

Control

DMX

Resolution

Per 6" or per fixture

Heat dissipation

Full thermal management system

Connection

Quick connect plug and play system
(power and signal in one cable)

Projected Lumen Maintenance

>90,000 hours

PHYSICAL

Fixture Length Options

12", 24", 36", 48"

Max Run Length

197ft@277vac, 85ft@120vac

Housing

Anodized extruded aluminum, tooled end caps

Lens

Polycarbonate

Fixture Finish (Standard)

Anodized aluminum

Powder Coated Finish (Optional)

Black, Bronze, White, CU

Standard Mounting

Stainless adjustable or flat brackets

Operating Temperature

-40°F to 122°F, (-40°C to 50°C)

ENVIRONMENT AND WARRANTY

IP Rating

IP40

Environment

Dry locations

Certifications

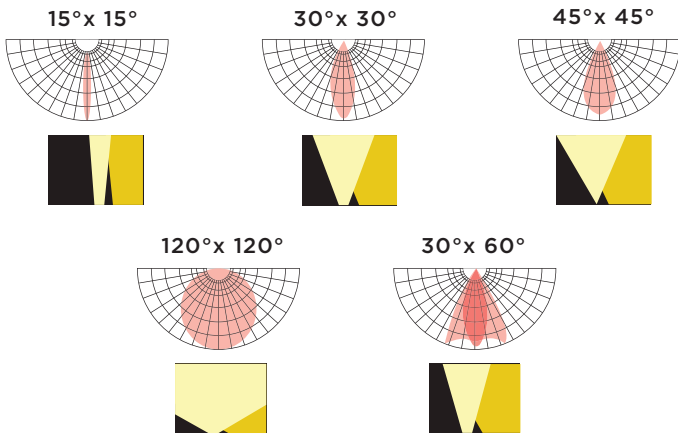
UL, cUL

Warranty

5 year limited warranty

SPECIFICATIONS

OPTICS



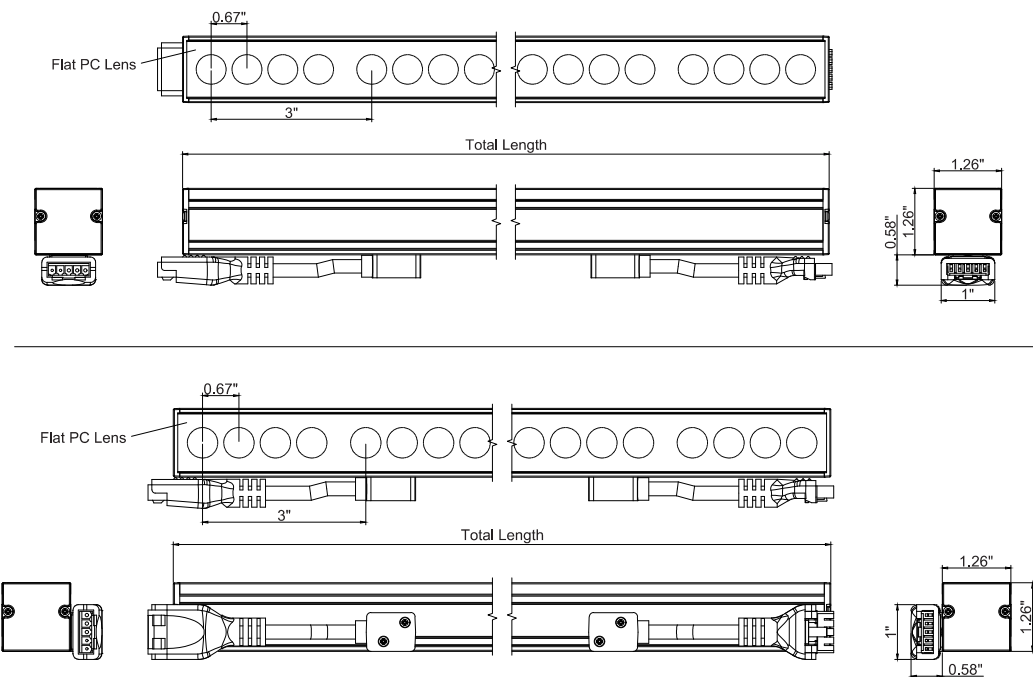
COLOR TEMPERATURES



DIMENSIONS AND DATA

	Voltage	View Angle	Watts/ Fixture	Lumens/ Fixture	LEDs/ fixture	Extrusion Length	Total Length
HB3016i-1-RGBW-XXD-AC-DX	100-277VAC	15°, 30° 45°, 120° 30°x60°	5.6w	360	4R, 4G, 4B, 4W	L=305.9mm	L=306.8mm (12.1")
HB3016i-2-RGBW-XXD-AC-DX			11.2w	720	8R, 8G, 8B, 8W	L=606.8mm	L=611.8mm (24.1")
HB3016i-3-RGBW-XXD-AC-DX			16.8w	1080	12R, 12G, 12B, 12W	L=911.4mm	L=916.4mm (36.1")
HB3016i-4-RGBW-XXD-AC-DX			22.4w	1440	16R, 16G, 16B, 16W	L=1216.2mm	L=1221.2mm (48.1")

PROFILE



ORDER FORM

Ex. HB3016i-4-RGB-15-AC-DM

CREATE YOUR FIXTURE

MODEL	LENGTH	COLOR	OPTICS
HB3016i	1' 12 inches 2' 24 inches 3' 36 inches 4' 48 inches	RGBW 27k 2700k 30k 3000k Select the W - 65k is standard 35k 3500k 41k 4100k 50k 5000k 65k 6500k A Amber	15 15°x15° 30 30°x30° 3060 30°x60° 45 45°x45° 120 120°x120°
VOLTAGE	CONTROL		
AC 100-277vac	DM Addressable/6" DS Addressable/fixture		

SELECT CONNECTION

Wire Lead

QTY	POWER/SIGNAL	
	AL-ID5P-72"-W/L	72" (6ft) Wire lead 5pin
	AL-ID5P-xx"-W/L	xx" (CU) Wire lead 5pin

* 1 wire lead required for each run.

End Cap

QTY		
	AL-ID3P-ENDCAP	End cap for fixture output at end of run

* 1 End cap required at the end of each run

Jumper Cable

QTY	POWER/SIGNAL	
	AL-ID5P-12"-J	12" (1ft) jumper 5pin
	AL-ID5P-72"-J	72" (6ft) jumper 5pin
	AL-ID5P-xx"-J	xx" (CU) jumper 5pin

* Fixtures are end to end connected. Use jumpers if space is needed between fixtures.

ADDITIONAL OPTIONS

Optional Powder Coated Finish

QTY	POWDER COATED FINISHES AVAILABLE FOR ADDITIONAL COST	
	BK	Black
	BZ	Bronze
	WH	White
	CU	Custom

* Fixture housing is anodized aluminum standard

DMX Controller

QTY		
	NIC-DMX-STICK-DE3	DMX Controller

Surge Protection

QTY		
	LSP4-UNV	120/277v surge protector

Junction Boxes

QTY		
	ID5A-DMX-3WB1	Power and CAT5 signal splitter
	ID5A-DMX-3WB2	AC Power amplifier for long run lengths
	ID5A-DMX-3WB3	Power and Wire lead signal splitter

* Used in place of wire leads to separate power and signal

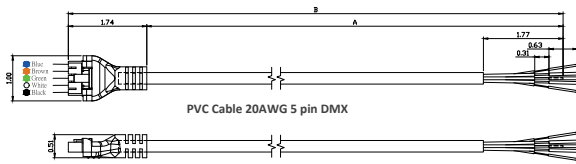
SELECT MOUNTING

QTY	MOUNTING BRACKETS - 2 PER FIXTURE	
	AL-ID30-ADJ BRACKET	HB30i Adjustable bracket
	AL-ID30-FLAT BRACKET	HB30i Flat bracket bottom wire feed
	AL-ID30-FSF BRACKET	HB30i Flat bracket side wire feed

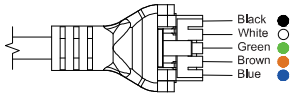
WIRING OPTIONS

WIRE LEAD

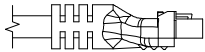
DESCRIPTION | **PART NUMBER**
 5 pin power / signal wire | AL-ID5P-xx"-W/L



Wire color	Description
● Black	AC_L
○ White	AC_N
● Green	Ground
● Brown	1~10V+ or DMX+
● Blue	1~10V- or DMX-

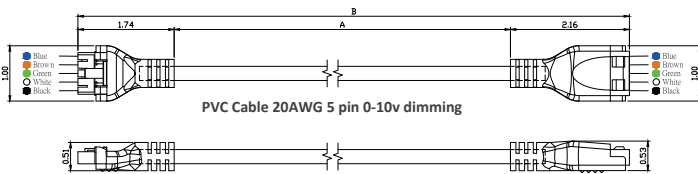


5Pin Female

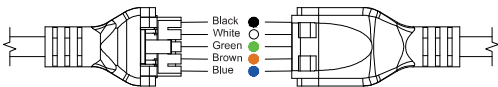


JUMPER CABLE

DESCRIPTION | **PART NUMBER**
 5 pin power / signal jumper | AL-ID5P-xx"-J

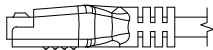


Wire color	Description
● Black	AC_L
○ White	AC_N
● Green	Ground
● Brown	1~10V+ or DMX+
● Blue	1~10V- or DMX-



5Pin Female

5Pin Male



JUNCTION BOX - POWER AND CAT5 SIGNAL SPLITTER

JUNCTION BOX

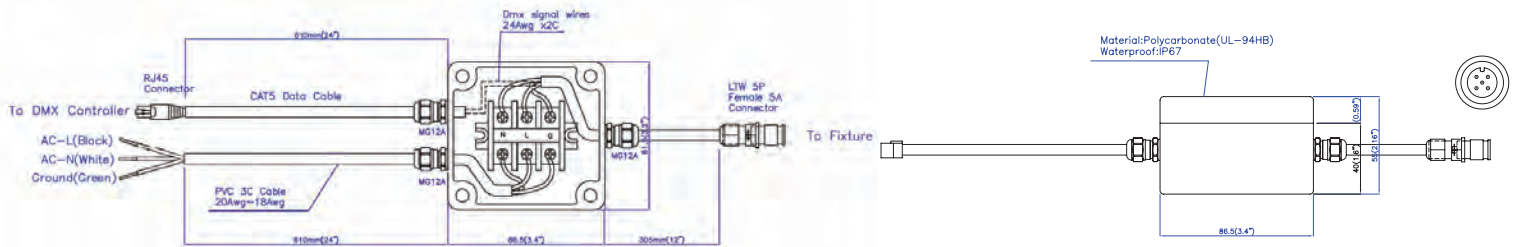
ID5A-DMX-3WB1

INPUT

24" PVC Cat5 Cable for DMX Data 24"
PVC Cable (3 leads) for AC Power

OUTPUT

12" Cable w 5P Female 5A Connector



JUNCTION BOX-AC POWER AMPLIFIER FOR LONG RUN LENGTHS

JUNCTION BOX

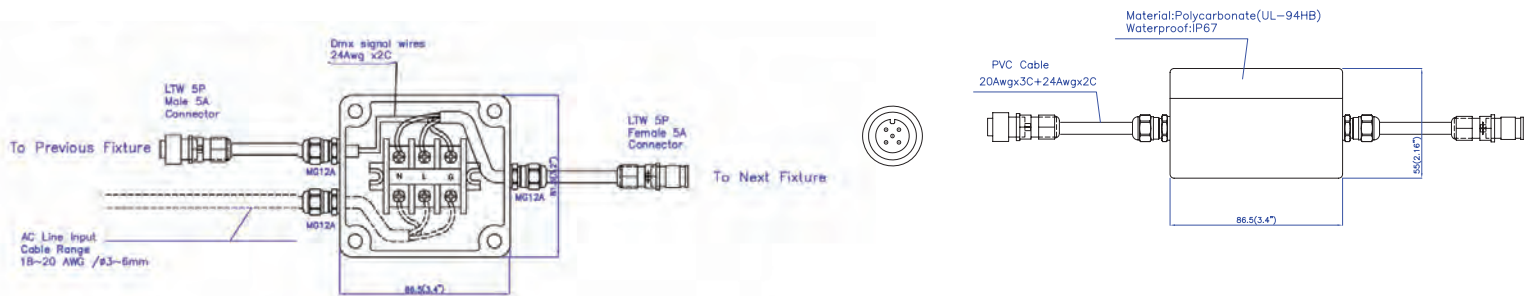
ID5A-DMX-3WB2

INPUT

12" PVC Cable w/ 5P Male 5A Connector

OUTPUT

12" PVC Cable w/ 5P Female 5A Connector



JUNCTION BOX - POWER AND WIRE LEAD SIGNAL SPLITTER

JUNCTION BOX

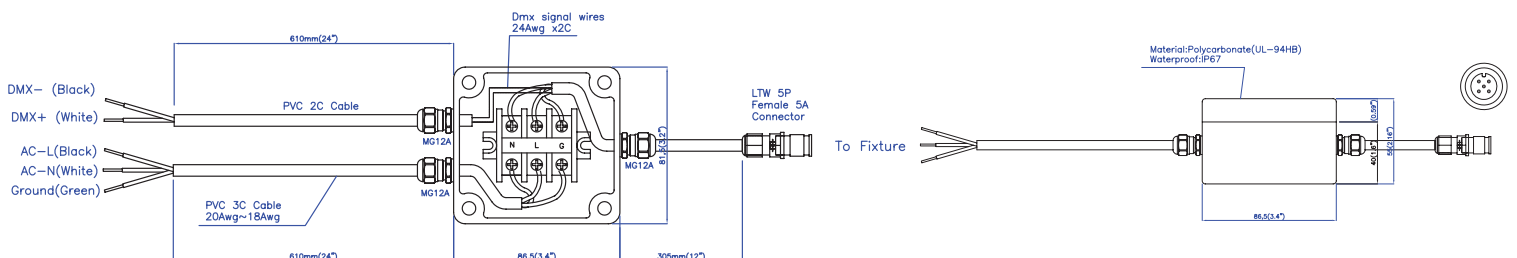
ID5A-DMX-3WB1

INPUT

24" PVC Cable (2 leads) for DMX Data
24" PVC Cable (3 leads) for AC Power

OUTPUT

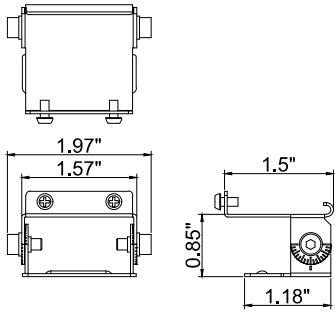
12" Cable w 5P Female 5A Connector



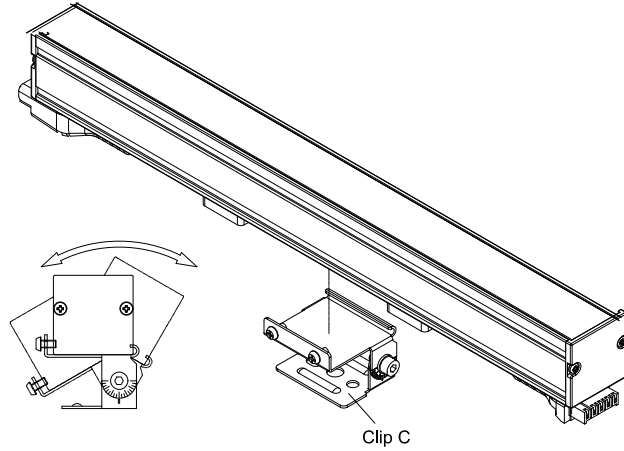
MOUNTING BRACKETS

ADJUSTABLE BRACKETS

DESCRIPTION | **PART NUMBER**
 HB30i Adjustable Bracket | AL-ID30 ADJ.Bracket

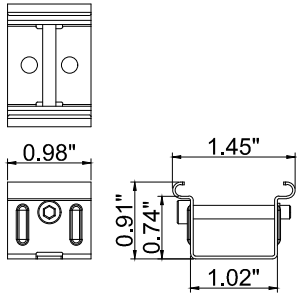


Clip C

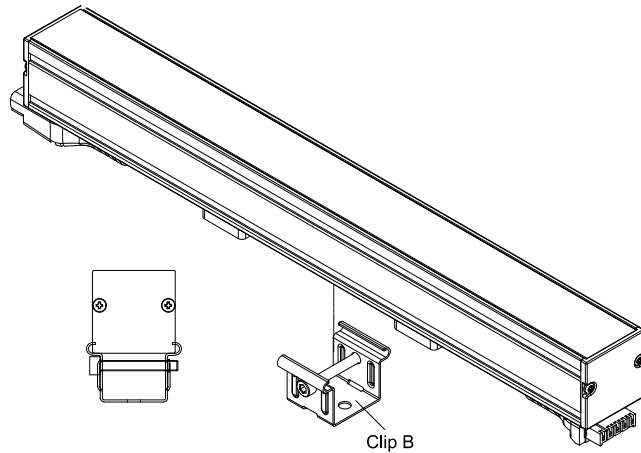


FLAT BOTTOM FEED BRACKETS

DESCRIPTION | **PART NUMBER**
 HB30 Flat Bracket - bottom wire feed | AL-ID30-Flat Bracket

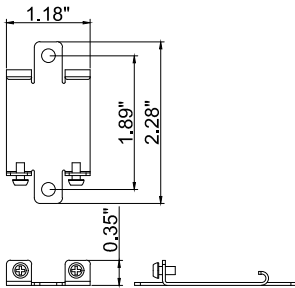


Clip B

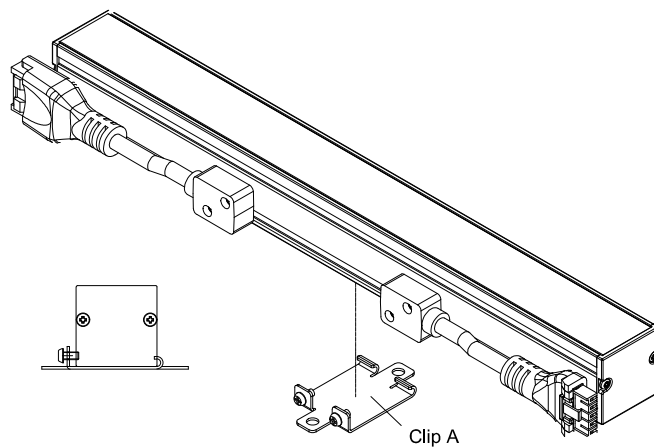


FLAT SIDE FEED BRACKETS

DESCRIPTION | **PART NUMBER**
 HB30 Flat Bracket - side wire feed | AL-ID30-FSF Bracket



Clip A



SURGE PROTECTION DEVICE

SURGE PROTECTION

DESCRIPTION | **PART NUMBER** | The use of a surge protection device is necessary to maintain your warranty. Specifications are subject to change without notice.

Surge Protection Device | AL-LSP-UNV

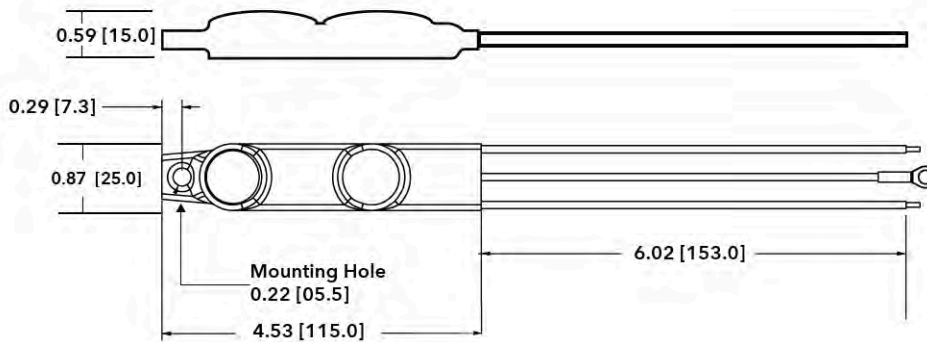
SPECIFICATIONS

Input Voltage	120-277V (+/- 5%)		
Frequency	50Hz-60Hz		
Maximum Continuous Voltage	320V		
Maximum Discharge Current	L-N 20kA; L-G, N-G 10kA (8/20Qs standard wave)		
Nominal Discharge Current	5kA		
Measured Limiting Voltage (VpK)	L-N	L-G	N-G
	1200	1320	1320
Max Case Temperature	85°C		

PULSE RATING (8 X 20 SEC)		
Surge Level	# of Strikes	
	L-N	L-G, N-G
10,000A	*2	1
6,500A	4	2
5,000A	30	15
2,000A	200	100
700A	20000	1000

*1 strike at 20,000A

MECHANICAL DIMENSIONS : IN (MM)



WIRING DIAGRAM

