

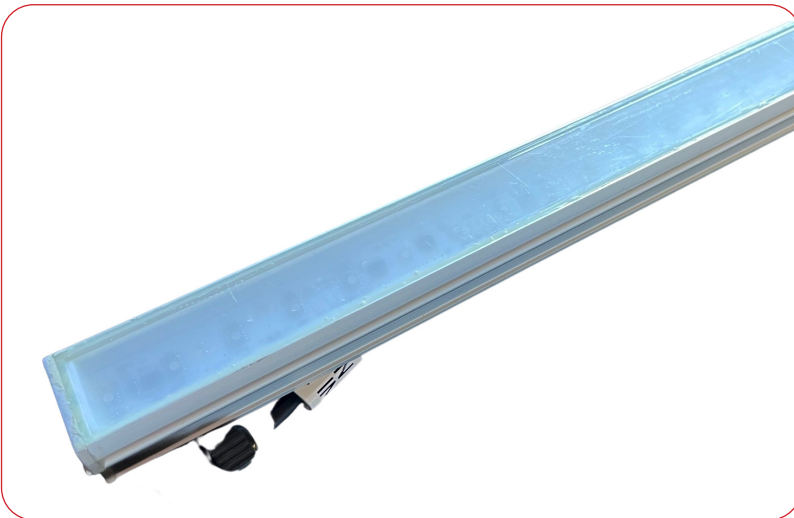


# HB3018 RGB

## EXTERIOR LINEAR LED LIGHTBAR

POWERFUL | COMPACT | LOW PROFILE  
 6w/ft | RGB | DMX

**Accent | Cove | General Lighting**



The Smart Lighting Company HB3018 RGB Series low-profile linear LED light bar is crafted for affordable, no-compromise accent and cove lighting, designed to meet the exacting standards of today's lighting professionals. Equipped with a universal 100/277VAC integral driver and DMX control, the HB3018 RGB is adaptable in four sizes to accommodate a variety of spatial dimensions. It employs Nichia bin-sorted LEDs, renowned for their consistent and high-quality output, making it a preferred choice for designers and architects. The fixture's advanced thermal management system ensures longevity with one of the industry's lowest LED junction temperatures. They offer DMX controllability and self-addressing capabilities for ease of integration. With multiple lengths, mounting options, finishes, and a user-friendly plug and play system, installation is streamlined and versatile. Mounting accessories, such as powder-coated housings with glare shields or ground-post mounting, further enhance its adaptability, solidifying the HB3018 RGB as the ideal solution for illuminating coves and surfaces.



## SPECIFICATIONS

### PERFORMANCE

**Output**

6w/ft

**Color Temperatures**

RGB

**Beam Angles**

120°

**LEDs per Foot**

18 (RGB) 3 in 1

**LED's**

Nichia bin-sorted

**Color Consistency**

2 SCDM

### ELECTRICAL

**Input Voltage**

100-277vac

**Power Supply**

Integral

**Control**

DMX

**Resolution**

Per 12" or per fixture

**Heat dissipation**

Full thermal management system

**Connection**

Quick connect plug and play system

**Projected Lumen Maintenance**

>90,000 hours

### PHYSICAL

**Fixture Length Options**

12", 24", 36", 48"

**Max Run Length**

197ft@277vac, 85ft@120vac

**Housing**

Anodized extruded aluminum, tooled end caps

**Lens**

Polycarbonate

**Fixture Finish (Standard)**

Anodized aluminum

**Powder Coated Finish (Optional)**

Black, Bronze, White, CU

**Standard Mounting**

Stainless adjustable or flat brackets

**Optional Mounting**

Powder-coated housing | extended arms or ground post stakes

**Operating Temperature**

-40°F to 122°F, (-40°C to 50°C)

### ENVIRONMENT AND WARRANTY

**IP Rating**

IP66

**Environment**

Dry, Damp or Wet locations  
0-100% non-condensing humidity

**Certifications**

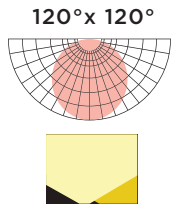
UL, cUL

**Warranty**

5 year limited warranty

## SPECIFICATIONS

### OPTICS



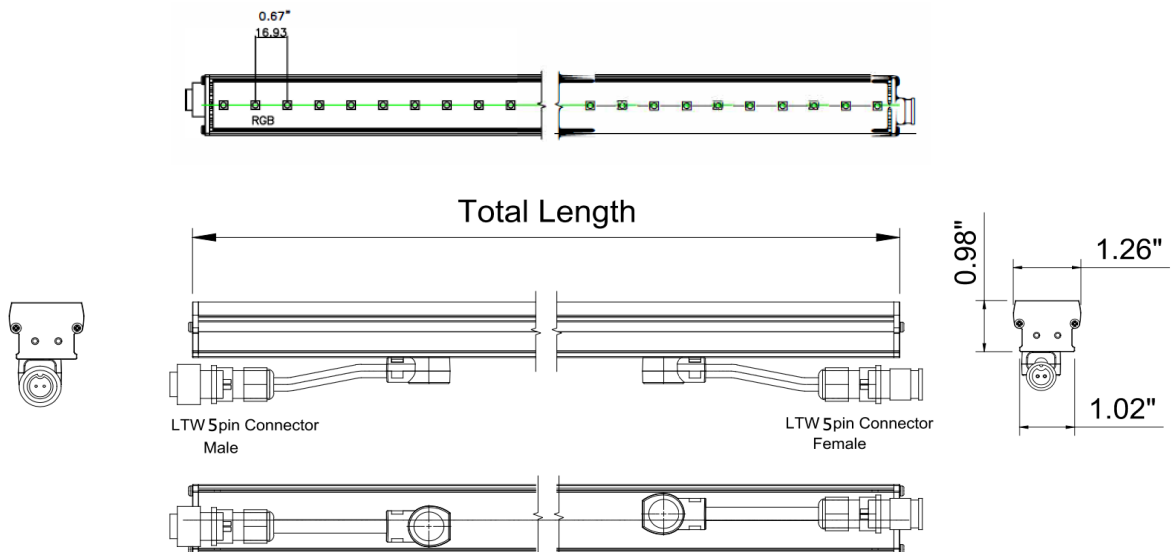
### COLOR TEMPERATURES



### DIMENSIONS AND DATA

6w/ft	Voltage	View Angle	Watts/ Fixture	Lumens/ Fixture	LEDs/ fixture	Extrusion Length	Total Length
HB3018-12-RGB-120D-AC	100-277VAC	120°	6w	TBD	18 RGB	L=301.8mm	L=306.8mm (12.1")
HB3018-24-RGB-120D-AC			11.4w	TBD	36 RGB	L=606.8mm	L=611.8mm (24.1")
HB3018-36-RGB-120D-AC			16.8w	TBD	54 RGB	L=911.4mm	L=916.4mm (36.1")
HB3018-48-RGB-120D-AC			22.4w	TBD	72 RGB	L=1216.2mm	L=1221.2mm (48.1")

### PROFILE



## ORDER FORM

### CREATE YOUR FIXTURE

Ex. HB3018-48-RGB-120-AC-DS

<b>MODEL</b> <input type="text"/> HB3018 <input type="text"/> 6w/ft	<b>LENGTH</b> <input type="text"/> 12" <input type="text"/> 12 inches 24" <input type="text"/> 24 inches 36" <input type="text"/> 36 inches 48" <input type="text"/> 48 inches	<b>COLOR</b> <input type="text"/> RGB <input type="text"/> RGB	<b>OPTICS</b> <input type="text"/> 120 <input type="text"/> 120°x120°
<b>VOLTAGE</b> <input type="text"/> AC <input type="text"/> 100-277vac	<b>CONTROL</b> <input type="text"/> DM <input type="text"/> Addressable/12" DS <input type="text"/> Addressable/fixture		

### SELECT CONNECTION

#### Wire Lead

QTY	<b>POWER/SIGNAL</b>	
<input type="text"/>	AL-HB5P-72"-W/L	72" (6ft) Wire lead 5pin
<input type="text"/>	AL-HB5P-xx"-W/L	xx" (CU) Wire lead 5pin

\* 1 wire lead required for each run.

#### End Cap

QTY		
<input type="text"/>	AL-HB3P-ENDCAP	End cap for fixture output at end of run

\* 1 End cap required at the end of each

#### Jumper Cable

QTY	<b>POWER/SIGNAL</b>	
<input type="text"/>	AL-HB5P-12"-J	12" (1ft) jumper 5pin
<input type="text"/>	AL-HB5P-72"-J	72" (6ft) jumper 5pin
<input type="text"/>	AL-HB5P-xx"-J	xx" (CU) jumper 5pin

\* Fixtures are end to end connected. Use jumpers if space is needed between fixtures.

### SELECT MOUNTING

QTY	<b>MOUNTING BRACKETS - 2 PER FIXTURE</b>	
<input type="text"/>	AL-HB30-ADJ BRACKET	HB30 Adjustable bracket
<input type="text"/>	AL-HB30-FLAT BRACKET	HB30 Flat bracket

\* Select flat brackets if fixture is mounted in powder coated housing

### ADDITIONAL OPTIONS

#### Optional Powder Coated Finish

QTY	<b>Powder coated finishes available for additional cost</b>	
<input type="text"/>	BK	Black
<input type="text"/>	BZ	Bronze
<input type="text"/>	WH	White
<input type="text"/>	CU	Custom

\* Fixture housing is anodized aluminum standard

#### DMX Controller

QTY		
<input type="text"/>	NIC-DMX-STICK-DE3	DMX Controller

#### Surge Protection

QTY		
<input type="text"/>	LSP4-UNV	120/277v surge protector

#### Junction Boxes

QTY		
<input type="text"/>	AC5A-DMX-3WB1	Power and CAT5 signal splitter
<input type="text"/>	AC5A-DMX-3WB2	AC Power amplifier for long run lengths
<input type="text"/>	AC5A-DMX-3WB3	Power and Wire lead signal splitter

\* Used in place of wire leads to separate power and signal



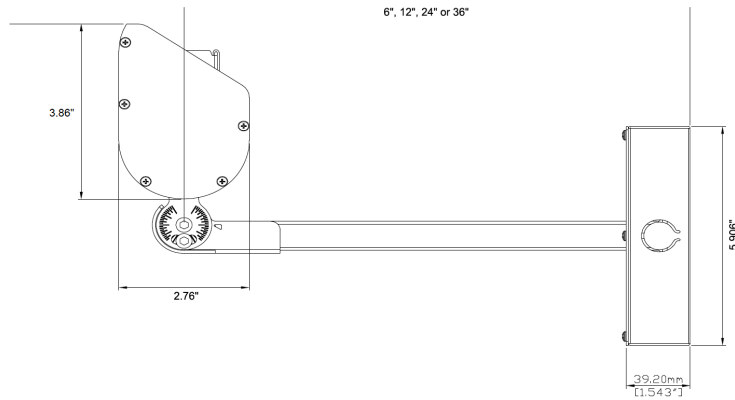
## ORDER FORM

### ADDITIONAL MOUNTING OPTIONS

#### Housing and Extended Arms

Fixture can be mounted in a powder coated housing with integral glare shield

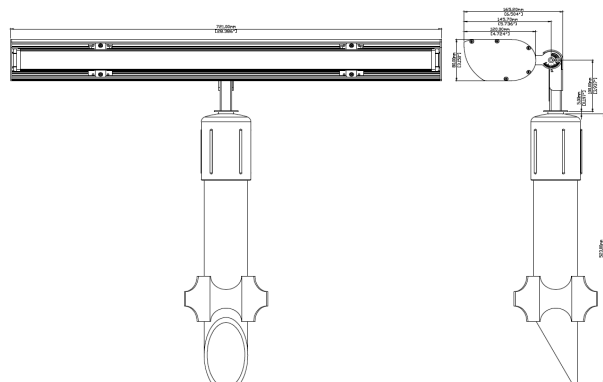
QTY	Housing	(L) Housing Length	(F) Finish	(A) Extended Arm Length
	HB30EXT-	12"	BK - Black	6"
		24"	BZ - Bronze	12"
		36"	WH - White	18"
		48"	SI - Silver	24"
			CU - Custom	36"
				GPA (Ground Post Arm)



#### Ground Posts

QTY **Select when using GPA above (1 per fixture for 12" & 24" housing and 2 for 36" & 48" housing)**  
 HBEXT-GPS Ground post mount

1ft & 2ft extrusions require one HBEXT-GPS. 3ft & 4ft extrusions require two HBEXT-GPS.



## GLARE PROTECTION

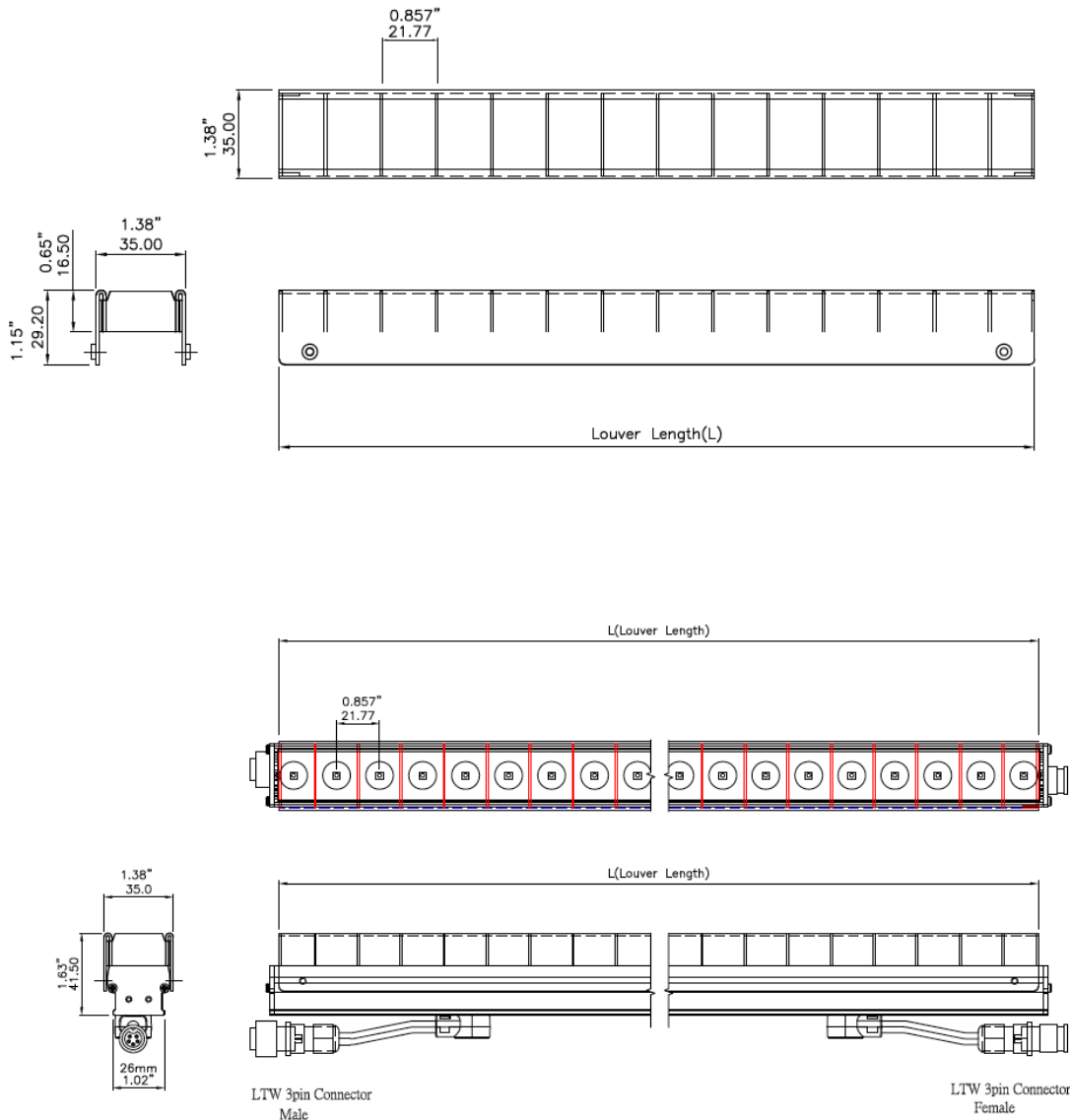
### LOUVERS

#### Glare Control

Standard black finish powder coated louvers

QTY	Housing	(L) Housing Length	(F) Finish
	HB30-12" LOUVER	12"	BK - Black
	HB30-24" LOUVER	24"	BZ - Bronze
	HB30-36" LOUVER	36"	WH - White
	HB30-48" LOUVER	48"	SI - Silver
			CU - Custom

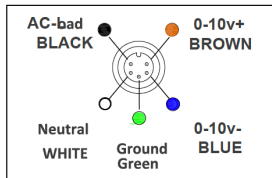
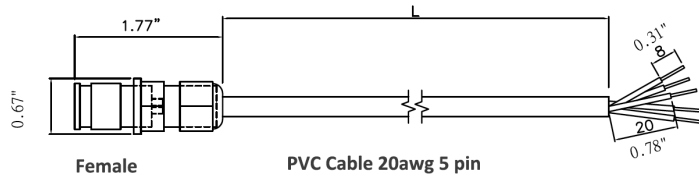
\* Other powder coated finishes available for additional cost



## WIRING OPTIONS

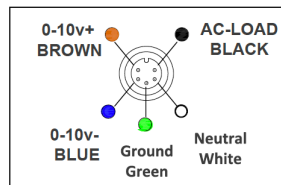
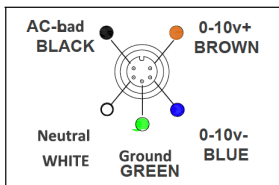
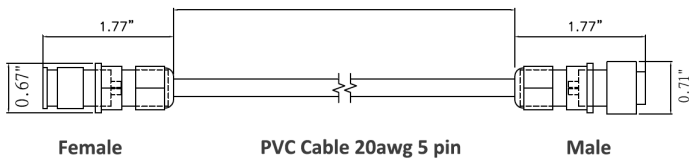
### WIRE LEAD

<b>DESCRIPTION</b> 5 pin power / signal wire	<b>PART NUMBER</b> AL-HB5P-xx"-W/L
---	---------------------------------------



### JUMPER CABLE

<b>DESCRIPTION</b> 5 pin power / signal jumper	<b>PART NUMBER</b> AL-HB5P-xx"-W/L
---	---------------------------------------



### JUNCTION BOX - POWER AND CAT5 SIGNAL SPLITTER

#### JUNCTION BOX

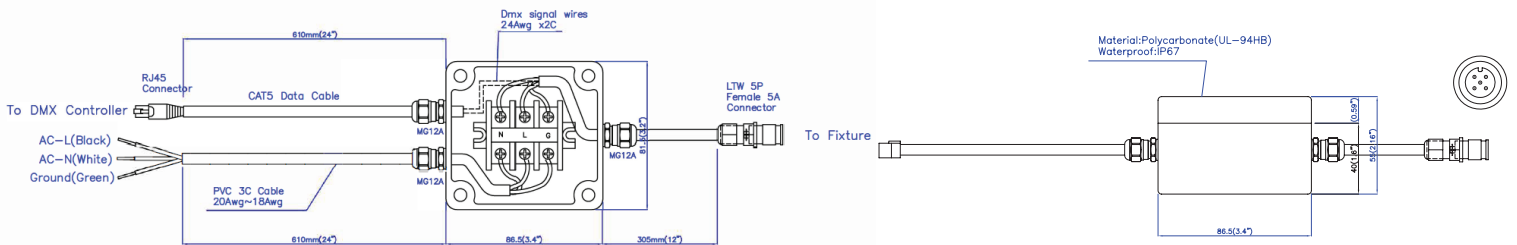
AC5A-DMX-3WB1

#### INPUT

24" PVC Cat5 Cable for DMX Data 24"  
PVC Cable (3 leads) for AC Power

#### OUTPUT

12" Cable w 5P Female 5A Connector



### JUNCTION BOX-AC POWER AMPLIFIER FOR LONG RUN LENGTHS

#### JUNCTION BOX

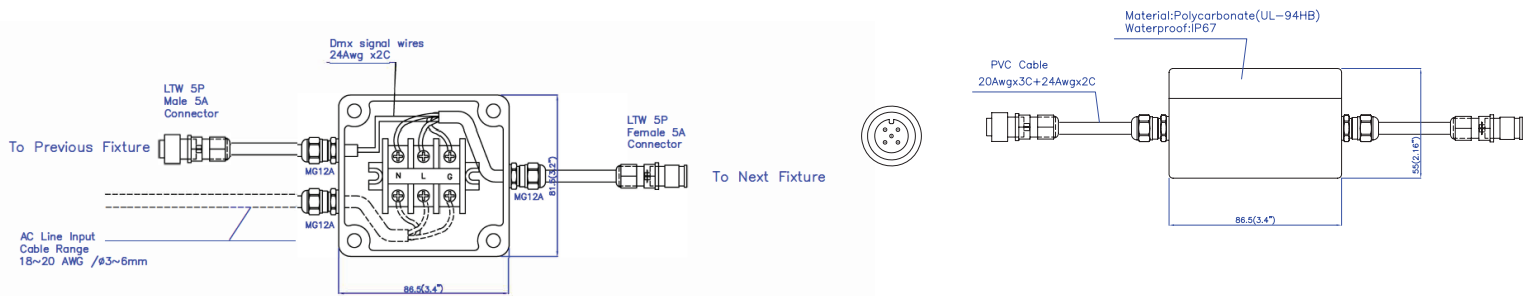
AC5A-DMX-3WB2

#### INPUT

12" PVC Cable w/ 5P Male 5A Connector

#### OUTPUT

12" PVC Cable w/ 5P Female 5A Connector



### JUNCTION BOX - POWER AND WIRE LEAD SIGNAL SPLITTER

#### JUNCTION BOX

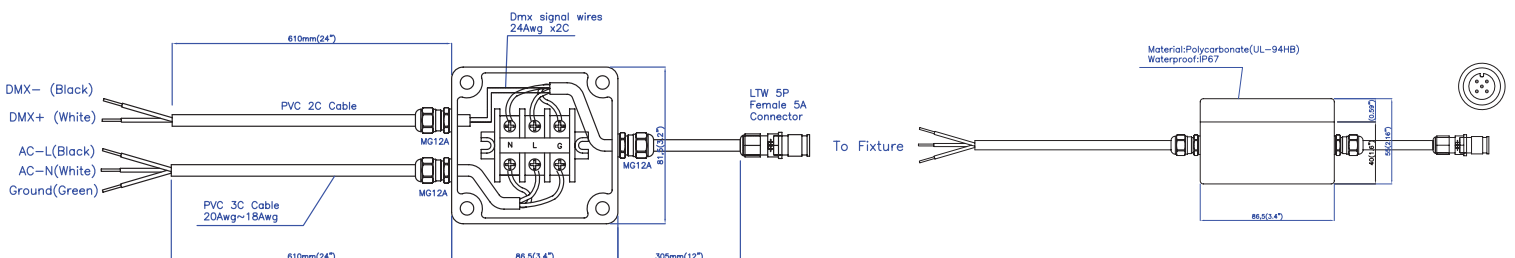
AC5A-DMX-3WB1

#### INPUT

24" PVC Cable (2 leads) for DMX Data  
24" PVC Cable (3 leads) for AC Power

#### OUTPUT

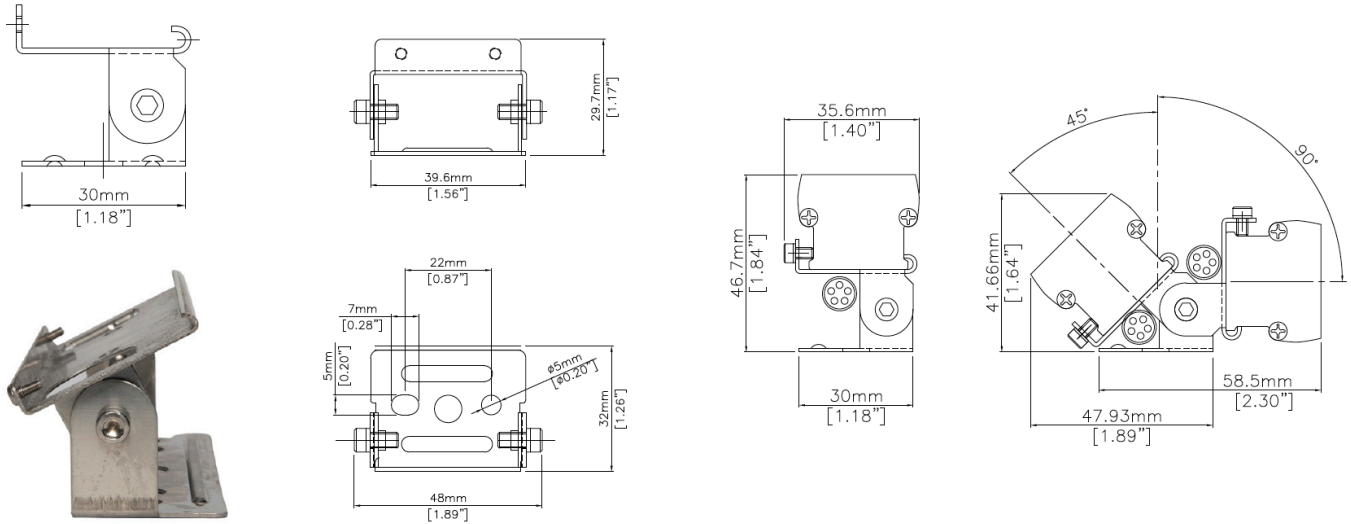
12" Cable w 5P Female 5A Connector



## MOUNTING BRACKETS

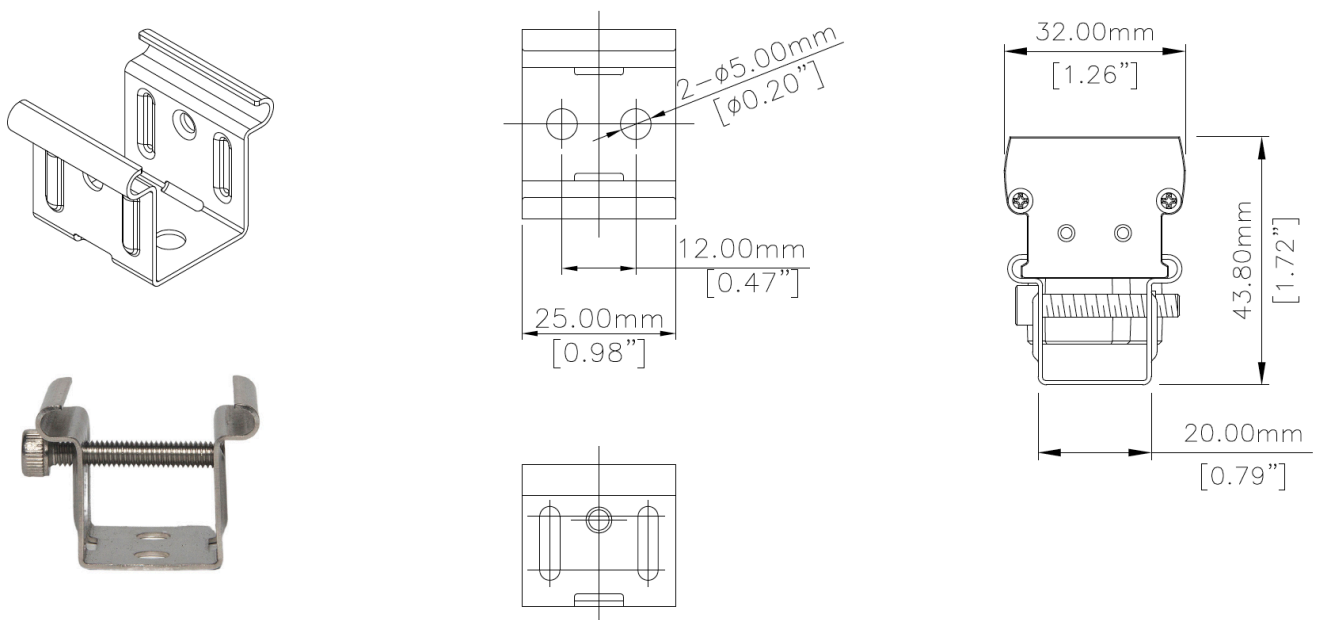
### ADJUSTABLE BRACKETS

**DESCRIPTION** | **PART NUMBER**  
 HB30 Adjustable Bracket | AL-HB30 ADJ.Bracket



### FLAT BRACKETS

**DESCRIPTION** | **PART NUMBER**  
 HB30 Flat Bracket | AL-HB30-Flat Bracket



## SURGE PROTECTION DEVICE

### SURGE PROTECTION

**DESCRIPTION** | **PART NUMBER** | The use of a surge protection device is necessary to maintain your warranty. Specifications are subject to change without notice.

Surge Protection Device | AL-LSP-UNV

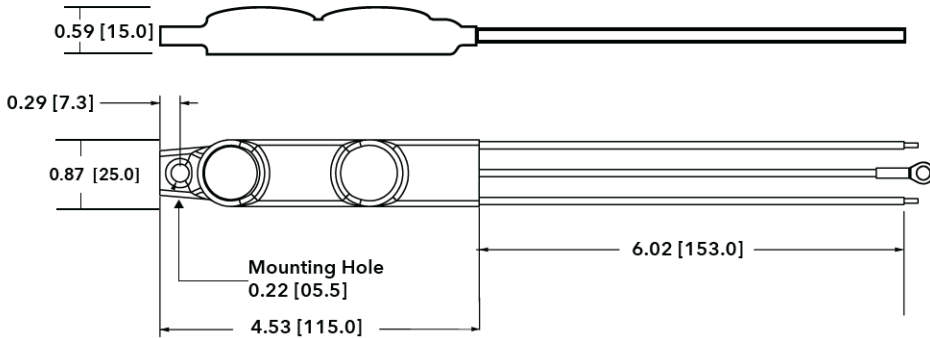
### SPECIFICATIONS

Input Voltage	120-277V (+/- 5%)		
Frequency	50Hz-60Hz		
Maximum Continuous Voltage	320V		
Maximum Discharge Current	L-N 20kA; L-G, N-G 10kA (8/20Qs standard wave)		
Nominal Discharge Current	5kA		
Measured Limiting Voltage (VpK)	L-N	L-G	N-G
	1200	1320	1320
Max Case Temperature	85°C		

PULSE RATING (8 X 20 SEC)		
Surge Level	# of Strikes	
	L-N	L-G, N-G
10,000A	*2	1
6,500A	4	2
5,000A	30	15
2,000A	200	100
700A	20000	1000

\*1 strike at 20,000A

### MECHANICAL DIMENSIONS : IN (MM)



### WIRING DIAGRAM

