



# HB3024IF

## INTERIOR LINEAR LED LIGHTBAR

POWERFUL | COMPACT | LOW PROFILE  
 4.5w/ft | 458lm/ft

**Direct View | Cove | Accent Lighting**

The Smart Lighting Company HB3024if Series, delivers premium architectural lighting without the premium cost. This high-performance, LED linear luminaire delivers specification-grade illumination from a low-profile form factor, ideal for enhancing coves and accents with a consistent, uniform glow. The series offers a flat opaque lens designed for an even distribution of light. Versatility is key, with a universal 100/277VAC integral driver, a selection of four lengths, and a wide range of color temperatures. Nichia bin-sorted LEDs provide the high-quality, even lighting that professionals demand, all while ensuring cost-efficiency. Designed to fit even the most challenging narrow spaces, the HB3024if doesn't compromise on performance or affordability. With multiple fixture lengths, mounting options, and finishes available, and a user-friendly Plug and Play system, installation is streamlined and adaptable. With options for bottom or side wire feed, the HB3024if Series stands as the smart choice for reliable, direct view and general lighting.



HB30i Series



## SPECIFICATIONS

### PERFORMANCE

#### Output

4.5w/ft - 458lm/ft

#### Color Temperatures

22k, 25k, 27k, 30k, 35k, 41k, 50k, 65k, R, G, B, A

#### Beam Angles

120°

#### LEDs per Foot

24

#### LED's

Nichia bin-sorted

#### Color Consistency

2 SCDM

#### CRI

85 standard, 95 optional

### ELECTRICAL

#### Input Voltage

100-277vac

#### Power Supply

Integral

#### Control

0-10v dimming

#### Heat dissipation

Full thermal management system

#### Connection

Quick connect plug and play system  
(power and signal in one cable)

#### Projected Lumen Maintenance

>90,000 hours

### PHYSICAL

#### Fixture Length Options

1', 2', 3' 4'

#### Max Run Length

4.5w - 251ft@277vac, 109ft@120vac

#### Housing

Anodized extruded aluminum, tooled end caps

#### Lens

Polycarbonate

#### Fixture Finish (Standard)

Anodized aluminum

#### Powder Coated Finish (Optional)

Black, Bronze, White, CU

#### Standard Mounting

Stainless adjustable or flat brackets

#### Operating Temperature

-40°F to 122°F, (-40°C to 50°C)

### ENVIRONMENT AND WARRANTY

#### IP Rating

IP40

#### Environment

Dry locations

#### Certifications

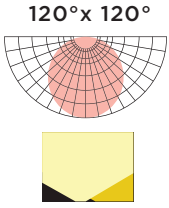
UL, cUL

#### Warranty

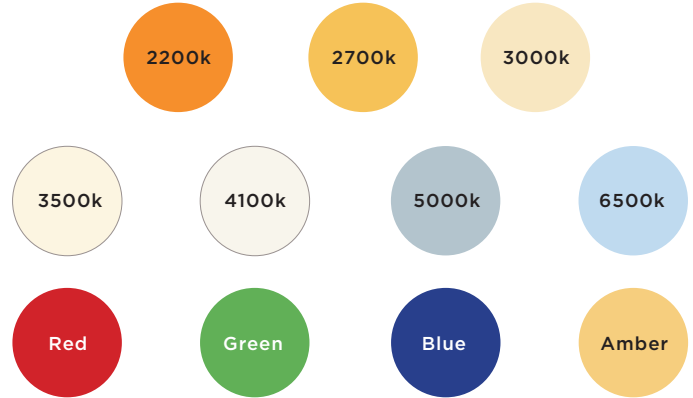
5 year limited warranty

## SPECIFICATIONS

### OPTICS



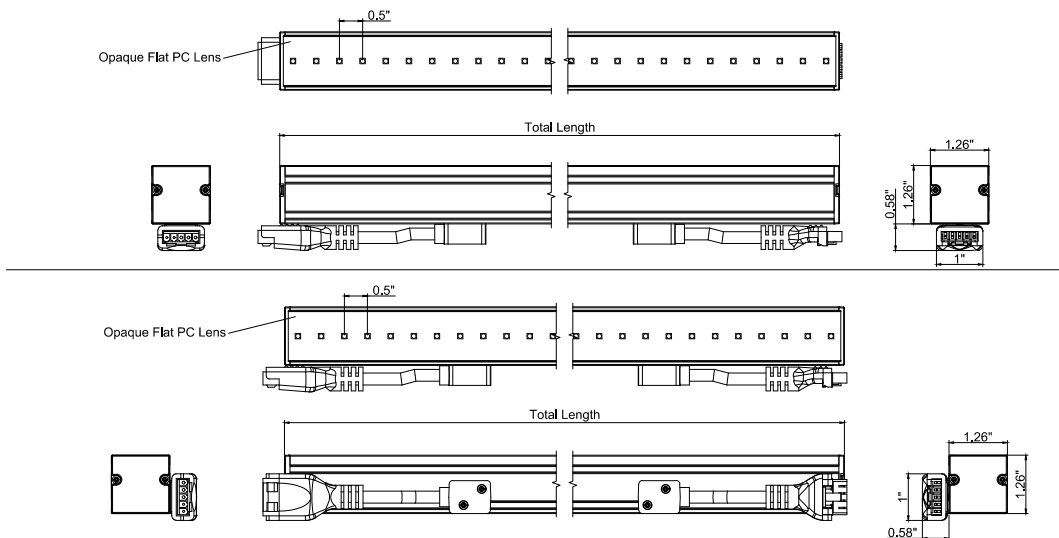
### COLOR TEMPERATURES



### DIMENSIONS AND DATA

	Voltage	View Angle	Watts/ Fixture	Lumens/ Fixture	LEDs/ Fixture	Extrusion Length	Total Length
HB3024IF-1-XXK-XXD-ACD	100-277VAC	120°	4.4w	458	24	L=305.9mm	L=306.8mm (12.1")
HB3024IF-2-XXK-XXD-ACD			8.8w	916	48	L=606.8mm	L=611.8mm (24.1")
HB3024IF-3-XXK-XXD-ACD			13.2w	1352	72	L=911.4mm	L=916.4mm (36.1")
HB3024IF-4-XXK-XXD-ACD			17.6w	1747	96	L=1216.2mm	L=1221.2mm (48.1")

### PROFILES



## ORDER FORM

### CREATE YOUR FIXTURE

Ex. HB3024IF-4-30K-120-ACD

MODEL	LENGTH	COLOR	OPTICS
HB3024IF	1' 12 inches 2' 24 inches 3' 36 inches 4' 48 inches	22k 2200k 65k 25k 2500k R 27k 2700k G 30k 3000k B 35k 3500k A 41k 4100k 50k 5000k	120 120°x120° 6500k Red Green Blue Amber
VOLTAGE	CONTROL		
AC 100-277vac	D 0-10v Dimming ND Non Dimming		

### SELECT CONNECTION

#### Wire Lead

QTY	<b>POWER/SIGNAL</b>		
	AL-ID5P-72"-W/L	72" (6ft) Wire lead 5pin	
	AL-ID5P-xx"-W/L	xx" (CU) Wire lead 5pin	
QTY	<b>POWER</b>		
	AL-ID3P-72"-W/L	72" (6ft) Wire lead 3pin	
	AL-ID3P-xx"-W/L	xx" (CU) Wire lead 3pin	

\* 1 wire lead required for each run.

#### End Cap

QTY	AL-ID3P-ENDCAP	End cap for fixture output at end of run
-----	----------------	--

\* 1 End cap required at the end of each run

#### Jumper Cable

QTY	<b>POWER/SIGNAL</b>		
	AL-ID5P-12"-J	12" (1ft) jumper 5pin	
	AL-ID5P-72"-J	72" (6ft) jumper 5pin	
	AL-ID5P-xx"-J	xx" (CU) jumper 5pin	
QTY	<b>POWER</b>		
	AL-ID3P-12"-J	12" (1ft) jumper 3pin	
	AL-ID3P-72"-J	72" (6ft) jumper 3pin	
	AL-ID3P-xx"-J	xx" (CU) jumper 3pin	

\* Fixtures are end to end connected. Use jumpers if space is needed between fixtures.

### SELECT MOUNTING

QTY	<b>MOUNTING BRACKETS - 2 PER FIXTURE</b>	
	AL-ID30-ADJ BRACKET	HB30i Adjustable bracket
	AL-ID30-FLAT BRACKET	HB30i Flat bracket bottom wire feed
	AL-ID30-FSF BRACKET	HB30i Flat bracket side wire feed

### ADDITIONAL OPTIONS

#### Optional Powder Coated Finish

QTY	<b>Powder coated finishes available for additional cost</b>	
	BK	Black
	BZ	Bronze
	WH	White
	CU	Custom

\* Fixture housing is anodized aluminum standard

#### 0-10V Dimmer

QTY	LUT-DVSTV-WH	0-10v dimming wall switch
-----	--------------	---------------------------

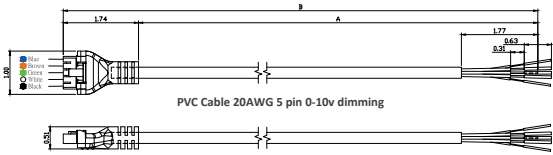
#### Surge Protection

QTY	LSP4-UNV	120/277v surge protector
-----	----------	--------------------------

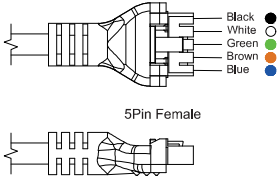
## WIRING OPTIONS

### WIRE LEAD

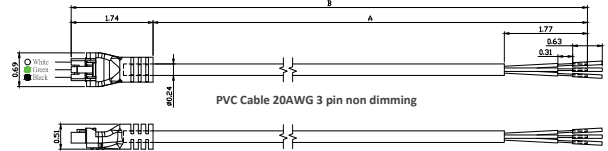
**DESCRIPTION** | **PART NUMBER**  
 5 pin power / signal wire | AL-ID5P-xx"-W/L



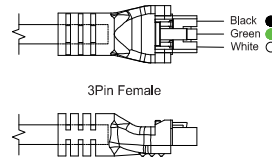
Wire color	Description
● Black	AC_L
○ White	AC_N
● Green	Ground
● Brown	1~10V+ or DMX+
● Blue	1~10V- or DMX-



**DESCRIPTION** | **PART NUMBER**  
 3 pin power wire | AL-ID3P-xx"-W/L

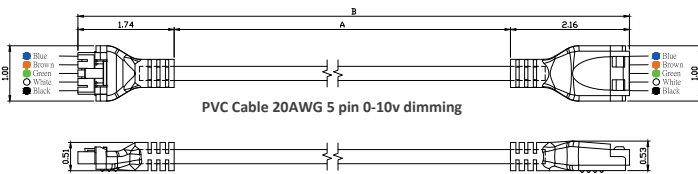


Wire color	Description
● Black	AC_L
○ White	AC_N
● Green	Ground

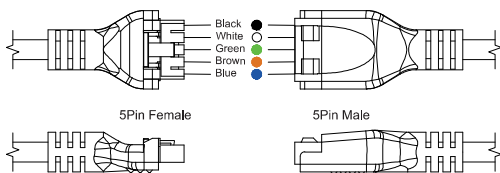


### JUMPER CABLE

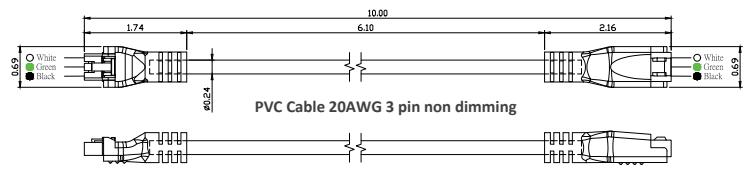
**DESCRIPTION** | **PART NUMBER**  
 5 pin power / signal jumper | AL-ID5P-xx"-J



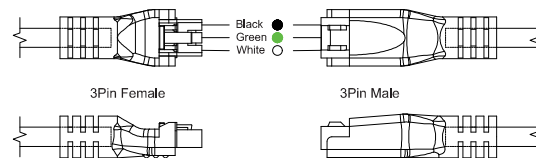
Wire color	Description
● Black	AC_L
○ White	AC_N
● Green	Ground
● Brown	1~10V+ or DMX+
● Blue	1~10V- or DMX-



**DESCRIPTION** | **PART NUMBER**  
 3 pin power jumper | AL-ID3P-xx"- J



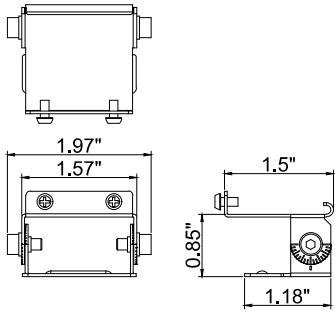
Wire color	Description
● Black	AC_L
○ White	AC_N
● Green	Ground



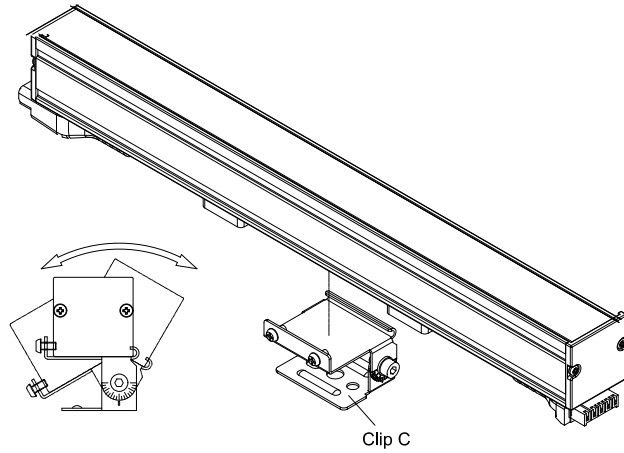
## MOUNTING BRACKETS

### ADJUSTABLE BRACKETS

**DESCRIPTION** | **PART NUMBER**  
 HB30i Adjustable Bracket | AL-ID30 ADJ.Bracket

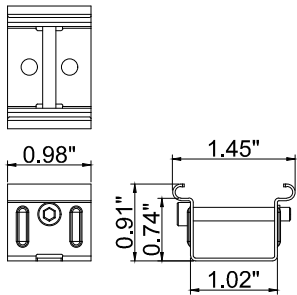


Clip C

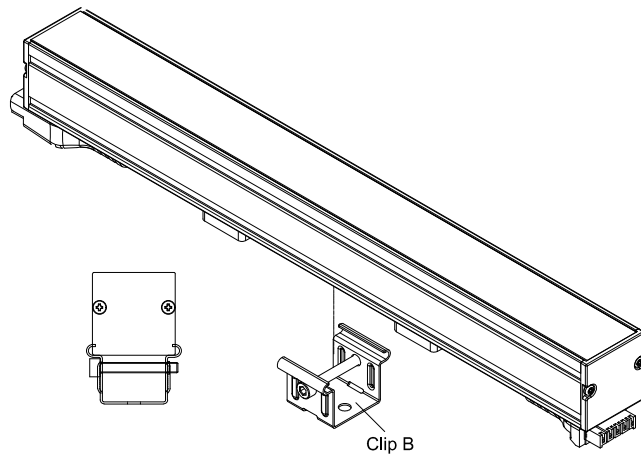


### FLAT BOTTOM FEED BRACKETS

**DESCRIPTION** | **PART NUMBER**  
 HB30 Flat Bracket - bottom wire feed | AL-ID30-Flat Bracket

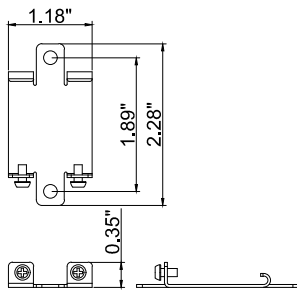


Clip B

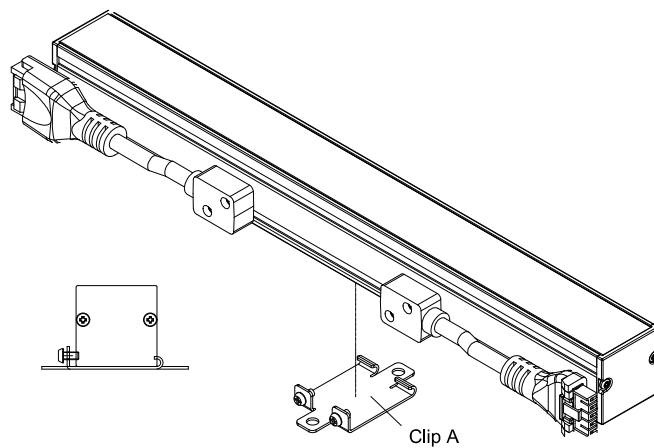


### FLAT SIDE FEED BRACKETS

**DESCRIPTION** | **PART NUMBER**  
 HB30 Flat Bracket - side wire feed | AL-ID30-FSF Bracket



Clip A



# SURGE PROTECTION DEVICE

## SURGE PROTECTION

**DESCRIPTION** | **PART NUMBER** | The use of a surge protection device is necessary to maintain your warranty. Specifications are subject to change without notice.

Surge Protection Device | AL-LSP-UNV

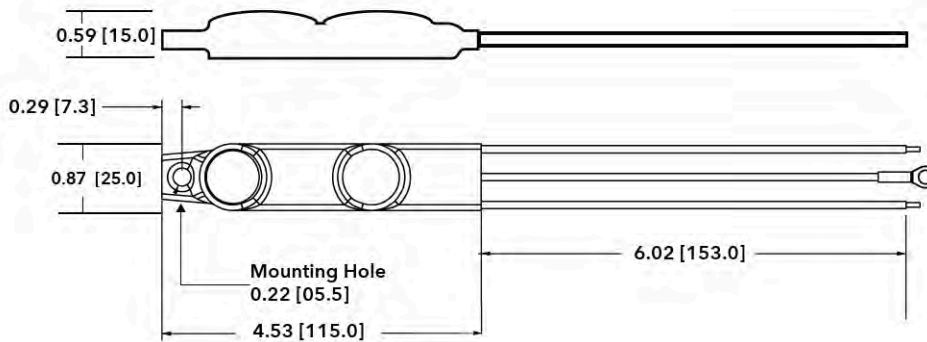
### SPECIFICATIONS

Input Voltage	120-277V (+/- 5%)		
Frequency	50Hz-60Hz		
Maximum Continuous Voltage	320V		
Maximum Discharge Current	L-N 20kA; L-G, N-G 10kA (8/20Qs standard wave)		
Nominal Discharge Current	5kA		
Measured Limiting Voltage (VpK)	L-N	L-G	N-G
	1200	1320	1320
Max Case Temperature	85°C		

PULSE RATING (8 X 20 SEC)		
Surge Level	# of Strikes	
	L-N	L-G, N-G
10,000A	*2	1
6,500A	4	2
5,000A	30	15
2,000A	200	100
700A	20000	1000

\*1 strike at 20,000A

### MECHANICAL DIMENSIONS : IN (MM)



### WIRING DIAGRAM

