

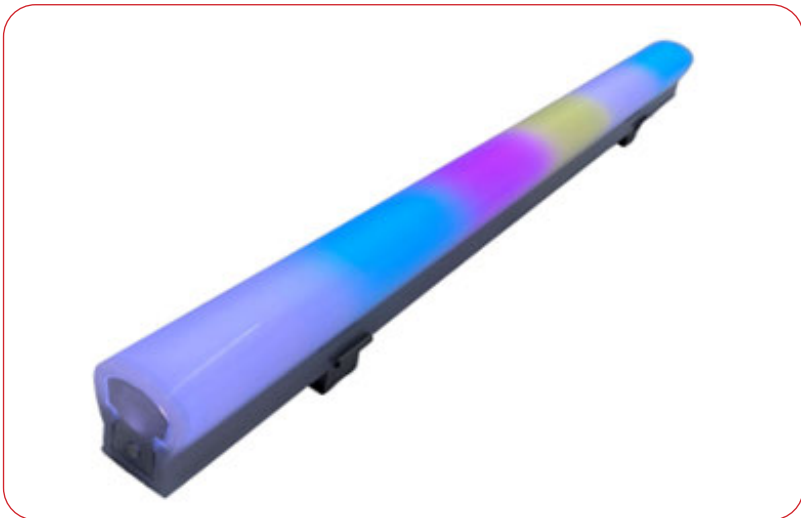


HB3036PD RGBW

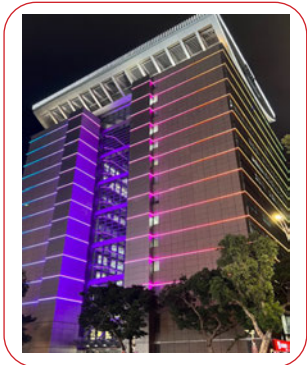
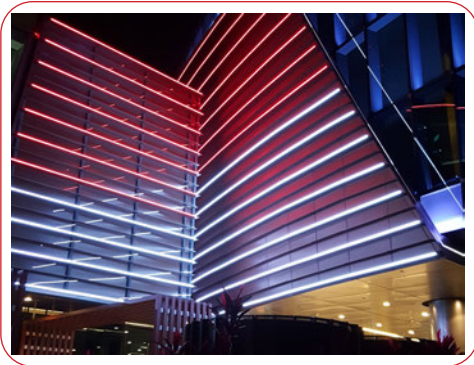
EXTERIOR LINEAR LED LIGHTBAR

DIRECT VIEW | LOW PROFILE
6w/ft | RGBW | DMX

Edge | Direct View | Accent Lighting



Optimized for cost-effective yet striking exterior lighting, The Smart Lighting Company HB3036PD RGBW Series fixture offers a robust solution for linear accent, edge, and direct-view applications. This fixture is designed with bin-sorted Nichia LEDs encased in a sleek, one-piece domed polycarbonate housing that ensures a smooth, even glow, outshining its more expensive competitors. The integration is effortless, thanks to our user-friendly Plug & Play connectors that combine power and signal for swift setup. Fixtures can be quickly connected to form one long continuous line of light—perfect for emphasizing architectural lines. With self-addressing capabilities for easy sync with control systems and addressability at every 6 inches, the HB3036PD RGBW is engineered to create versatile lighting effects and deliver a continuous line of light when row mounted. Wet-rated to withstand challenging environments and drawing a mere 6W per foot, it promises enduring, energy-efficient performance, all backed by our comprehensive testing and a 5-year warranty for peace of mind.



SPECIFICATIONS

PERFORMANCE

Output

6.2w/ft | 239lm/ft

Color Temperatures

RGBW

Beam Angles

120°

LEDs per Foot

18 RGB and 18 W LEDs per foot

LED's

Nichia bin-sorted

Color Consistency

2 SCDM

ELECTRICAL

Input Voltage

100-277vac

Power Supply

Integral

Control

DMX

Resolution

Per 6", 12" or per fixture

Heat dissipation

Full thermal management system

Connection

Quick connect plug and play system

Projected Lumen Maintenance

>90,000 hours

PHYSICAL

Fixture Length Options

12", 24", 36", 48"

Max Run Length

197ft@277vac, 85ft@120vac

Housing

Polycarbonate extruded housing

Lens

Polycarbonate diffused

Standard Mounting

Stainless adjustable or flat brackets

Optional Mounting

Stainless joint clips for seamless connection

Operating Temperature

-40°F to 122°F, (-40°C to 50°C)

ENVIRONMENT AND WARRANTY

IP Rating

IP66

Environment

Dry, Damp or Wet locations
0-100% non-condensing humidity

Certifications

UL, cUL

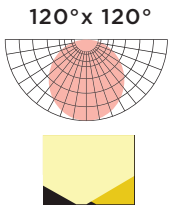
Warranty

5 year limited warranty

SPECIFICATIONS

OPTICS

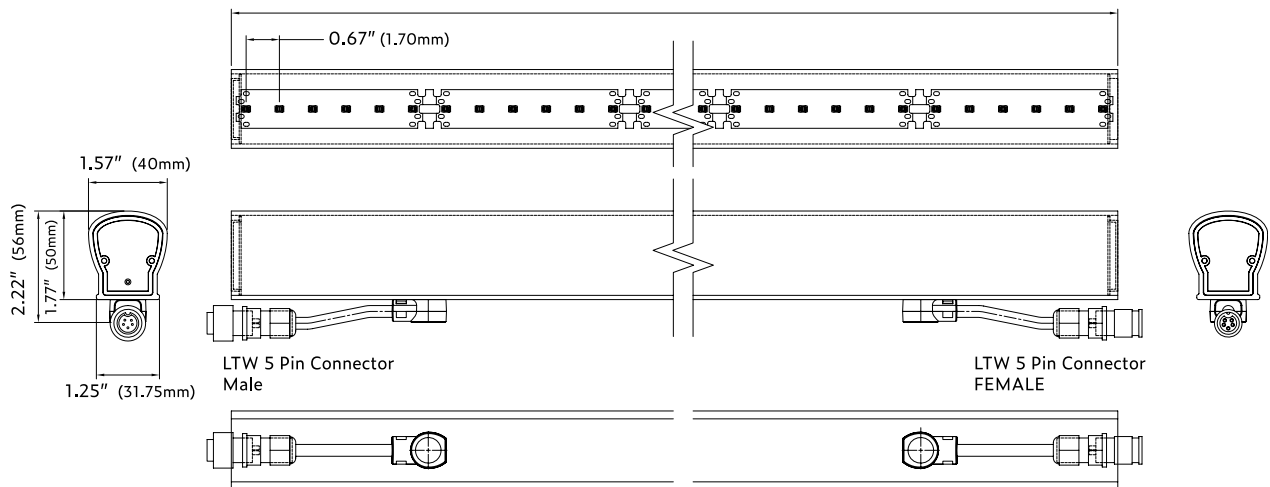
COLOR TEMPERATURES



DIMENSIONS AND DATA

6w/ft	Voltage	View Angle	Watts/ Fixture	Lumens/ Fixture	LEDs/ fixture	Extrusion Length	Total Length
HB3036PD-12-RGBW-120D-AC-DX	100-277VAC	120°	6w	239	18 RGB +18 W	L=294.8mm	L=304.8mm (12")
HB3036PD-24-RGBW-120D-AC-DX			13.6w	478	36 RGB + 36 W	L=599.6mm	L=609.6mm (24")
HB3036PD-36-RGBW-120D-AC-DX			18.7w	717	54 RGB + 54 W	L=904.4mm	L=914.4mm (36")
HB3036PD-48-RGBW-120D-AC-DX			23.7w	956	72 RGB + 72 W	L=1209.2mm	L=1219.2mm (48")

PROFILE



HB3036PD EXTERIOR LINEAR RGBW LED LIGHTBAR

Date:
 Type:
 Project:
 Firm:

ORDER FORM

CREATE YOUR FIXTURE

Ex. HB3036PD-48-RGBW65-120-AC-DM

MODEL <input type="text"/> HB3036PD 6w/ft	LENGTH <input type="text"/> 12" 12 inches 24" 24 inches 36" 36 inches 48" 48 inches	COLOR <input type="text"/> RGBW 27k 2700k 30k 3000k Select the W - 65k is standard 35k 3500k 41k 4100k 50k 5000k 65k 6500k A Amber	OPTICS <input type="text"/> 120 120°x120°
VOLTAGE <input type="text"/> AC 100-277vac	CONTROL <input type="text"/> DM Addressable/12" DM6 Addressable/6" DX Addressable/fixture		

SELECT CONNECTION

Wire Lead

QTY	POWER/SIGNAL	
<input type="text"/>	AL-HB5P-72"-W/L	72" (6ft) Wire lead 5pin
<input type="text"/>	AL-HB5P-xx"-W/L	xx" (CU) Wire lead 5pin

* 1 wire lead required for each run.

End Cap

QTY	<input type="text"/>	AL-HB3P-ENDCAP	End cap for fixture output at end of run
-----	----------------------	----------------	--

* 1 End cap required at the end of each

Jumper Cable

QTY	POWER/SIGNAL	
<input type="text"/>	AL-HB5P-12"-J	12" (1ft) jumper 5pin
<input type="text"/>	AL-HB5P-72"-J	72" (6ft) jumper 5pin
<input type="text"/>	AL-HB5P-xx"-J	xx" (CU) jumper 5pin

* Fixtures are end to end connected. Use jumpers if space is needed between fixtures.

SELECT MOUNTING

QTY	MOUNTING BRACKETS - 2 REQUIRED PER FIXTURE	
<input type="text"/>	AL-ID/PD30-ADJ BRACKET	Adjustable bracket
<input type="text"/>	AL-ID/PD30-FLAT BRACKET	Flat bracket
<input type="text"/>	AL-PD-JNT*	Joint connection bracket

* Used to join two fixtures together

ADDITIONAL OPTIONS

DMX Controller

QTY	<input type="text"/>	NIC-DMX-STICK-DE3	DMX Controller
-----	----------------------	-------------------	----------------

Surge Protection

QTY	<input type="text"/>	LSP4-UNV	120/277v surge protector
-----	----------------------	----------	--------------------------

Junction Boxes

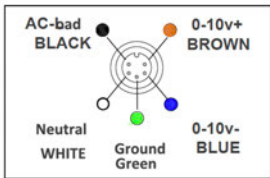
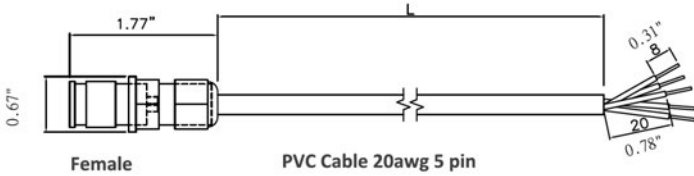
QTY	<input type="text"/>	AC5A-DMX-3WB1	Power and CAT5 signal splitter
<input type="text"/>	AC5A-DMX-3WB2	AC Power amplifier for long run lengths	
<input type="text"/>	AC5A-DMX-3WB3	Power and Wire lead signal splitter	

* Used in place of wire leads to separate power and signal

WIRING OPTIONS

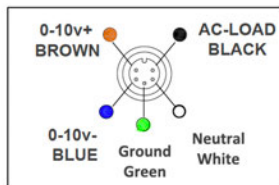
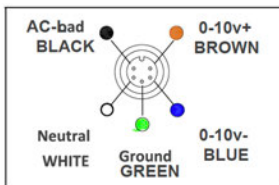
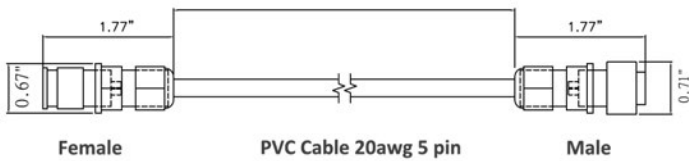
WIRE LEAD

DESCRIPTION 5 pin power / signal wire	PART NUMBER AL-HB5P-xx"-W/L
---	---------------------------------------



JUMPER CABLE

DESCRIPTION 5 pin power / signal jumper	PART NUMBER AL-HB5P-xx"-J
---	-------------------------------------



POWER/SIGNAL

DISTRIBUTION BOXES

Date:
 Type:
 Project:
 Firm:

JUNCTION BOX - POWER AND CAT5 SIGNAL SPLITTER

JUNCTION BOX

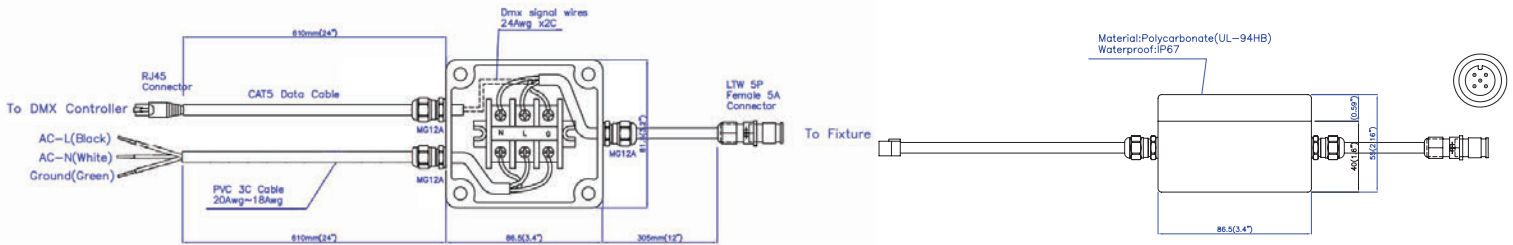
AC5A-DMX-3WB1

INPUT

24" PVC Cat5 Cable for DMX Data 24"
 PVC Cable (3 leads) for AC Power

OUTPUT

12" Cable w 5P Female 5A Connector



JUNCTION BOX-AC POWER AMPLIFIER FOR LONG RUN LENGTHS

JUNCTION BOX

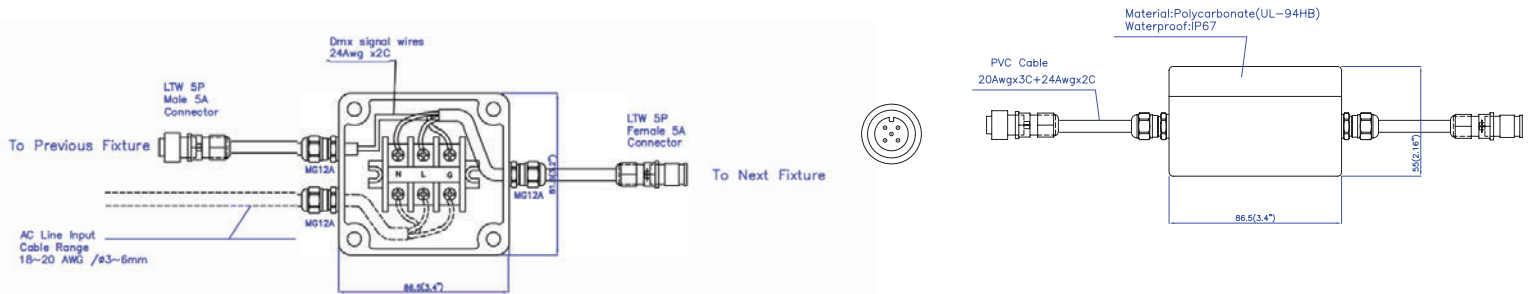
AC5A-DMX-3WB2

INPUT

12" PVC Cable w/ 5P Male 5A Connector

OUTPUT

12" PVC Cable w/ 5P Female 5A Connector



JUNCTION BOX - POWER AND WIRE LEAD SIGNAL SPLITTER

JUNCTION BOX

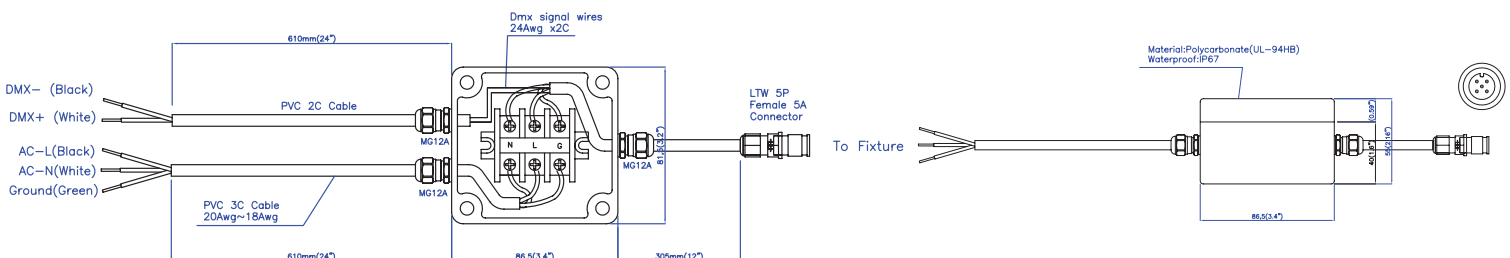
AC5A-DMX-3WB1

INPUT

24" PVC Cable (2 leads) for DMX Data
 24" PVC Cable (3 leads) for AC Power

OUTPUT

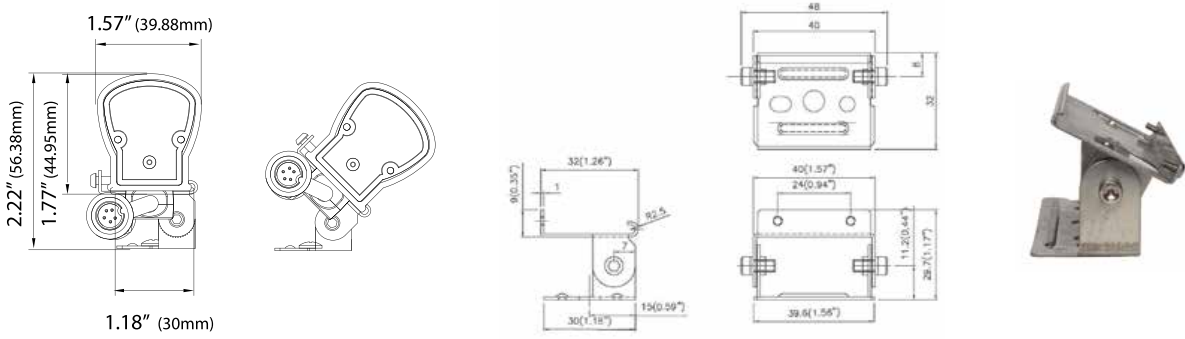
12" Cable w 5P Female 5A Connector



MOUNTING BRACKETS

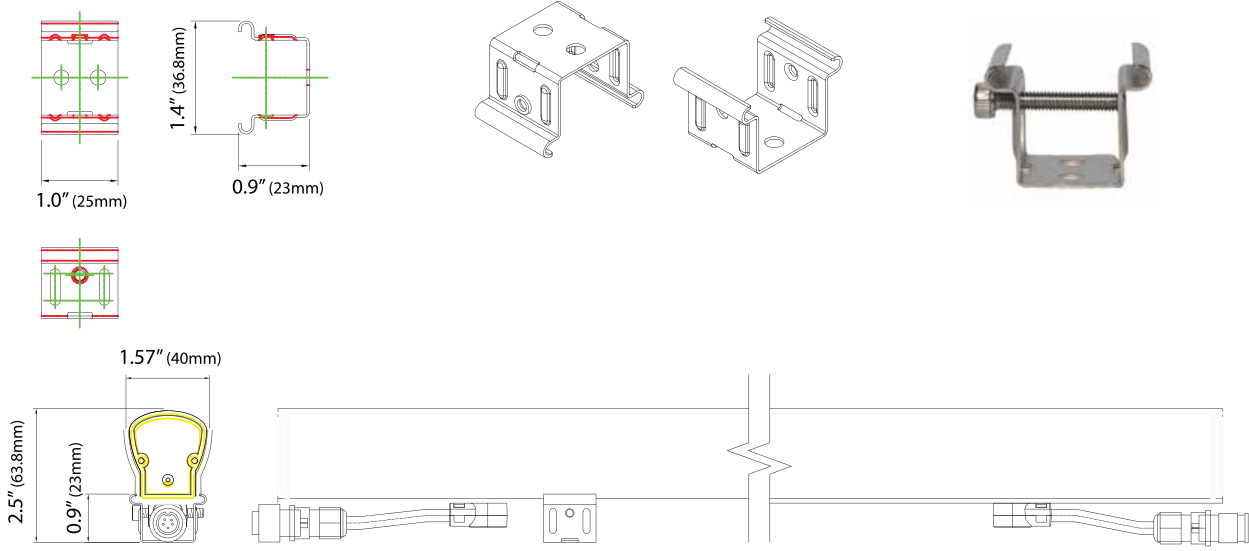
ADJUSTABLE BRACKETS

DESCRIPTION | **PART NUMBER**
 HB30PD Adjustable Bracket | AL-ID/PD30 ADJ.Bracket



FLAT BRACKETS

DESCRIPTION | **PART NUMBER**
 HB30PD Flat Bracket | AL-ID/PD30-FBF BKT



JOINT CLIP

DESCRIPTION | **PART NUMBER**
 HB30PD Joint Connector | AL-ID/PD30-JNT BKT



SURGE PROTECTION DEVICE

Date:
 Type:
 Project:
 Firm:

SURGE PROTECTION

DESCRIPTION

Surge Protection Device

PART NUMBER

AL-LSP-UNV

The use of a surge protection device is necessary to maintain your warranty. Specifications are subject to change without notice.

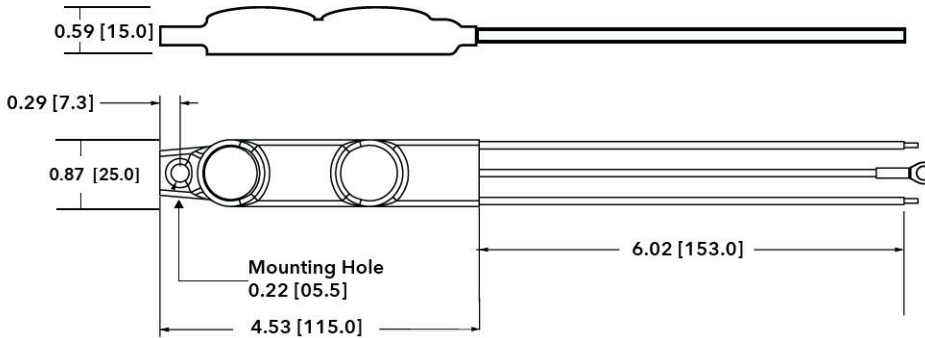
SPECIFICATIONS

Input Voltage	120-277V (+/- 5%)		
Frequency	50Hz-60Hz		
Maximum Continuous Voltage	320V		
Maximum Discharge Current	L-N 20kA; L-G, N-G 10kA (8/20Qs standard wave)		
Nominal Discharge Current	5kA		
Measured Limiting Voltage (VpK)	L-N	L-G	N-G
	1200	1320	1320
Max Case Temperature	85°C		

PULSE RATING (8 X 20 SEC)		
Surge Level	# of Strikes	
	L-N	L-G, N-G
10,000A	*2	1
6,500A	4	2
5,000A	30	15
2,000A	200	100
700A	20000	1000

*1 strike at 20,000A

MECHANICAL DIMENSIONS : IN (MM)



WIRING DIAGRAM

