



HB308I

INTERIOR LINEAR LED LIGHTBAR

POWERFUL | COMPACT | LOW PROFILE
 4.4w/ft | 359lm/ft



HB30i Series

The HB30i Series are compact, high performance linear fixtures designed to fit in narrow locations. Nichia bin-sorted LEDs produce high quality, even illumination.

Multiple options are available for fixture length, color temperature, optical lenses, mounting and housing finish. Fixtures contain an integral universal power supply, full thermal management, and feature a plug and play cable system carrying power for ease of installation.

Choose from a variety of mounting options and bottom or side wire feed.

Perfect for grazing, wall-washing and general illumination of coves and surfaces.



SPECIFICATIONS

PERFORMANCE

Output

4.4w/ft | 359lm/ft

Color Temperatures

22k, 27k, 30k, 35k, 41k, 50k, 65k, R, G, B, A

Beam Angles

15°, 30°, 30°x60°, 45°, 120°

LEDs per Foot

8

LED's

Nichia bin-sorted

Color Consistency

2 SCDM

CRI

85 standard, 95 optional

ELECTRICAL

Input Voltage

100-277vac

Power Supply

Integral

Control

N/A

Heat dissipation

Full thermal management system

Connection

Quick connect plug and play system
(power and signal in one cable)

Projected Lumen Maintenance

>90,000 hours

PHYSICAL

Fixture Length Options

1', 2', 3', 4'

Max Run Length

251ft@277vac, 109ft@120vac

Housing

Anodized extruded aluminum, tooled end caps

Lens

Polycarbonate

Fixture Finish (Standard)

Anodized aluminum

Powder Coated Finish (Optional)

Black, Bronze, White, CU

Standard Mounting

Stainless adjustable or flat brackets

Operating Temperature

-40°F to 122°F, (-40°C to 50°C)

ENVIRONMENT AND WARRANTY

IP Rating

IP40

Environment

Dry locations

Certifications

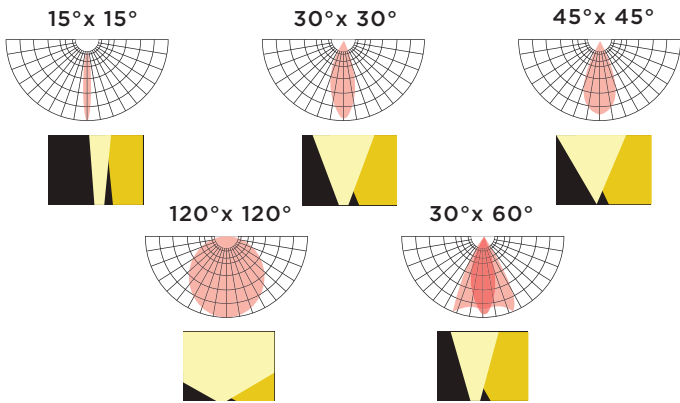
UL, cUL

Warranty

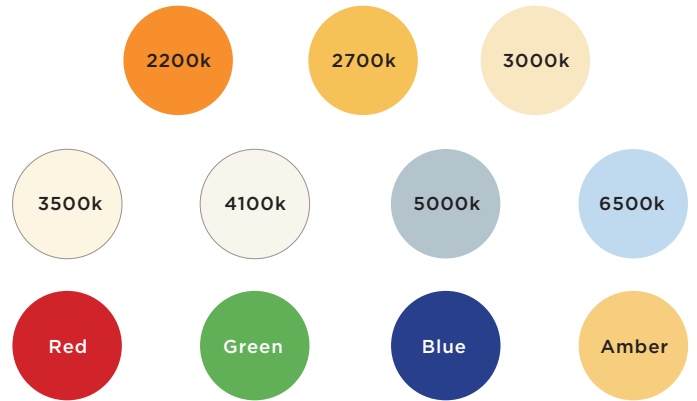
5 year limited warranty

SPECIFICATIONS

OPTICS



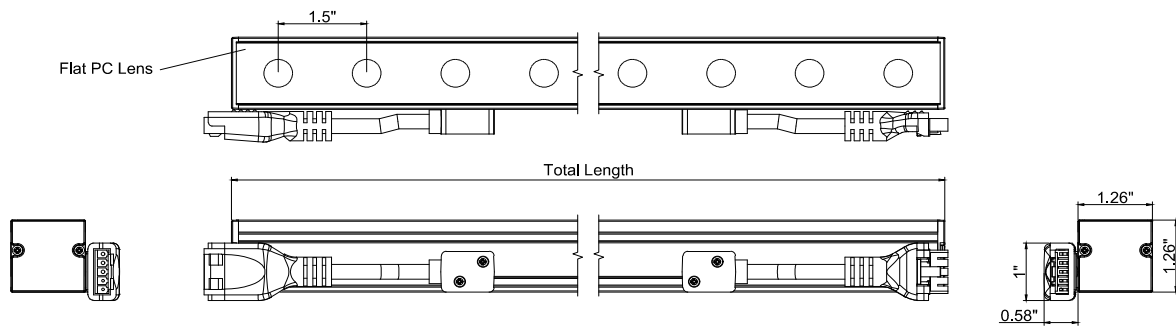
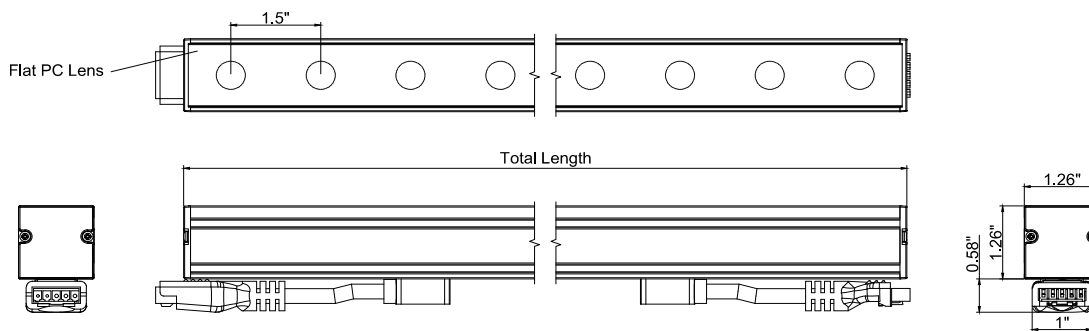
COLOR TEMPERATURES



DIMENSIONS AND DATA

4.4w/ft	Voltage	View Angle	Watts/ Fixture	Lumens/ Fixture	LEDs/ Fixture	Extrusion Length	Total Length
HB308i-1-XXK-XXD-AC	100-277VAC	15°, 30° 45°, 120° 30°x60°	4.4w	359	8	L=305.9mm	L=306.8mm (12.1")
HB308i-2-XXK-XXD-AC			8.8w	718	16	L=606.8mm	L=611.8mm (24.1")
HB308i-3-XXK-XXD-AC			13.2w	1079	24	L=911.4mm	L=916.4mm (36.1")
HB308i-4-XXK-XXD-AC			17.6w	1437	32	L=1216.2mm	L=1221.2mm (48.1")

PROFILES



ORDER FORM

CREATE YOUR FIXTURE

Ex. HB308i-4-30K-15-AC-ND

MODEL	LENGTH	COLOR	OPTICS
HB308i	1' 12 inches	22k 2200k R Red	15 15°x15°
4.4w/ft	2' 24 inches	27k 2700k G Green	30 30°x30°
	3' 36 inches	30k 3000k B Blue	3060 30°x60°
	4' 48 inches	35k 3500k A Amber	45 45°x45°
		41k 4100k	120 120°x120°
		50k 5000k	
		65k 6500k	
VOLTAGE	CONTROL		
AC	ND		
100-277vac	Non Dimming		

SELECT CONNECTION

Wire Lead

QTY	POWER	
	AL-HB3P-72"-W/L	72" (6ft) Wire lead 3pin
	AL-HB3P-xx"-W/L	xx" (CU) Wire lead 3pin

* 1 wire lead required for each run.

End Cap

QTY		
	AL-HB3P-ENDCAP	End cap for fixture output at end of run

* 1 End cap required at the end of each run.

Jumper Cable

QTY	POWER	
	AL-HB3P-12"-J	12" (1ft) jumper 3pin
	AL-HB3P-72"-J	72" (6ft) jumper 3pin
	AL-HB3P-xx"-J	xx" (CU) jumper 3pin

* Fixtures are end to end connected. Use jumpers if space is needed between fixtures.

SELECT MOUNTING

QTY	MOUNTING BRACKETS - 2 PER FIXTURE	
	AL-ID30-ADJ BRACKET	HB30i Adjustable bracket
	AL-ID30-FLAT BRACKET	HB30i Flat bracket bottom wire feed
	AL-ID30-FSF BRACKET	HB30i Flat bracket side wire feed

ADDITIONAL OPTIONS

Optional Powder Coated Finish

QTY	Powder coated finishes available for additional cost	
	BK	Black
	BZ	Bronze
	WH	White
	CU	Custom

* Fixture housing is anodized aluminum standard

Surge Protection

QTY		
	LSP4-UNV	120/277v surge protector

WIRING OPTIONS

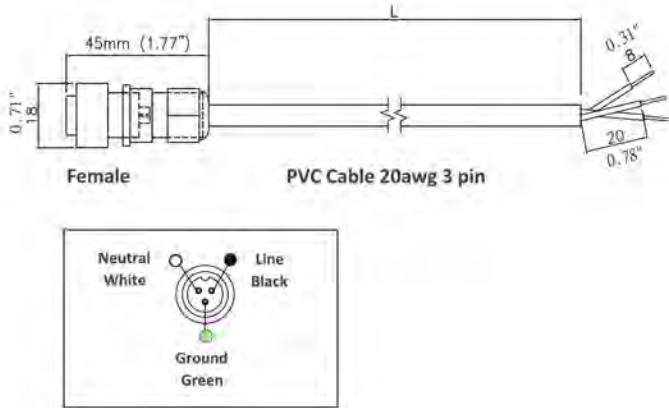
WIRE LEAD

DESCRIPTION

3 pin power wire

PART NUMBER

AL-HB3P-xx"-W/L



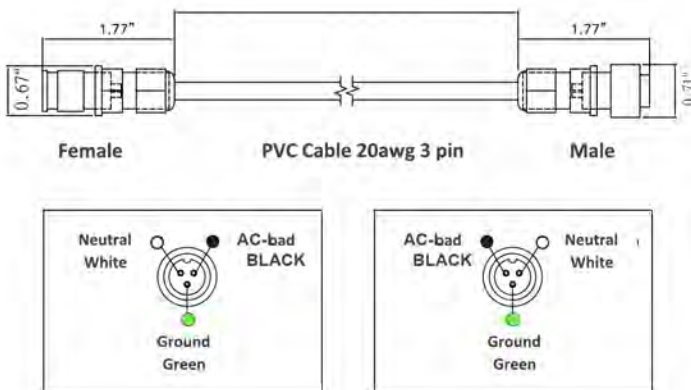
JUMPER CABLE

DESCRIPTION

3 pin power jumper

PART NUMBER

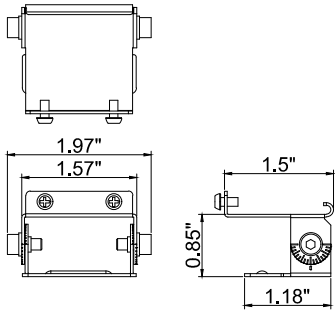
AL-HB3P-xx"-J



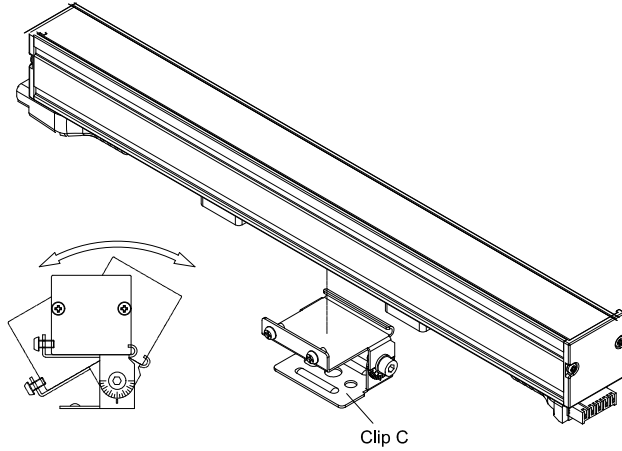
MOUNTING BRACKETS

ADJUSTABLE BRACKETS

DESCRIPTION | **PART NUMBER**
 HB30i Adjustable Bracket | AL-ID30 ADJ.Bracket

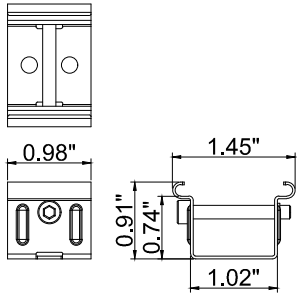


Clip C

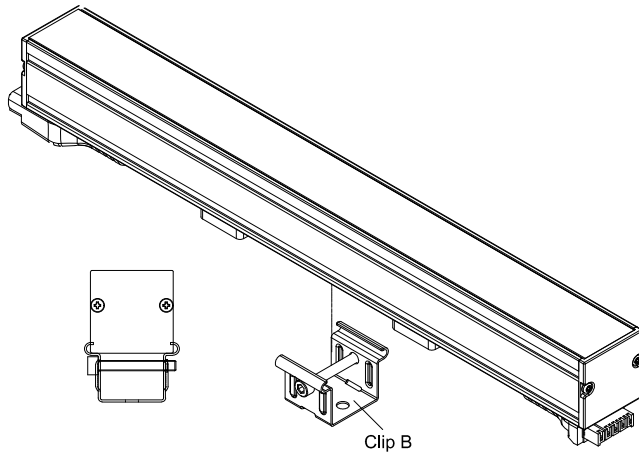


FLAT BOTTOM FEED BRACKETS

DESCRIPTION | **PART NUMBER**
 HB30 Flat Bracket - bottom wire feed | AL-ID30-Flat Bracket

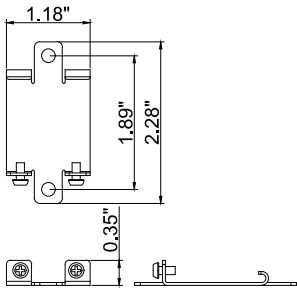


Clip B

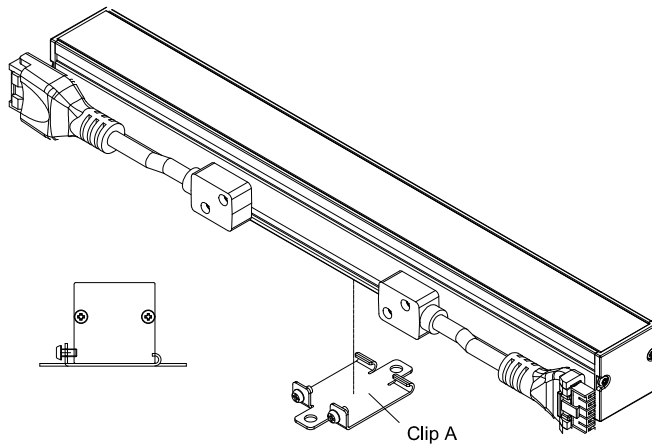


FLAT SIDE FEED BRACKETS

DESCRIPTION | **PART NUMBER**
 HB30 Flat Bracket - side wire feed | AL-ID30-FSF Bracket



Clip A



SURGE PROTECTION DEVICE

SURGE PROTECTION

DESCRIPTION | **PART NUMBER** | The use of a surge protection device is necessary to maintain your warranty. Specifications are subject to change without notice.

Surge Protection Device | AL-LSP-UNV

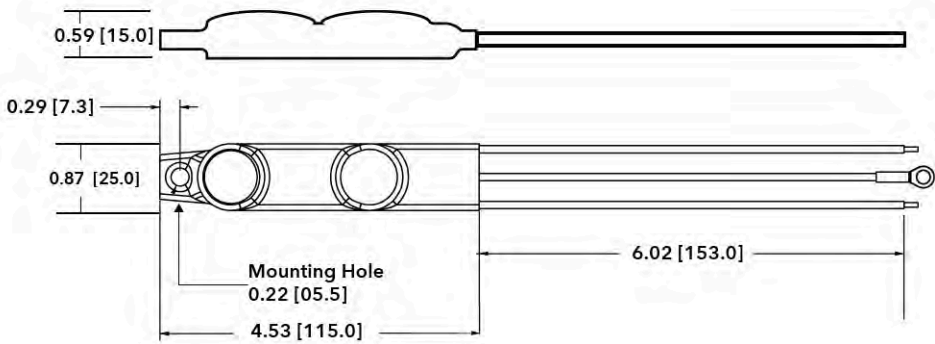
SPECIFICATIONS

Input Voltage	120-277V (+/- 5%)		
Frequency	50Hz-60Hz		
Maximum Continuous Voltage	320V		
Maximum Discharge Current	L-N 20kA; L-G, N-G 10kA (8/20Qs standard wave)		
Nominal Discharge Current	5kA		
Measured Limiting Voltage (VpK)	L-N	L-G	N-G
	1200	1320	1320
Max Case Temperature	85°C		

PULSE RATING (8 X 20 SEC)		
Surge Level	# of Strikes	
	L-N	L-G, N-G
10,000A	*2	1
6,500A	4	2
5,000A	30	15
2,000A	200	100
700A	20000	1000

*1 strike at 20,000A

MECHANICAL DIMENSIONS : IN (MM)



WIRING DIAGRAM

