

# HB40 Mounting

## Extrusions, Extended Arms, Louvers

For use with our HB40 series fixtures for applications up to 35 feet.



### APPLICATION

Designed to illuminate signage, facades, monuments and more.

The Extrusion package allows you to easily mount your HB40 fixture in an architectural powder-coated extrusion with your choice of mounting arms or ground post stakes. Standard finishes available. Fixtures are able to be mounted as a stand-alone fixture or in a seamless row. Wires connect from the fixture through the extended arm into the junction box. The wall mounted box has knock outs on all four sides as well as through the back. Row mounted fixtures are wired end to end. The housing angle is adjustable on the extended arms. Louvers are available as an option to reduce glare.

### FEATURES

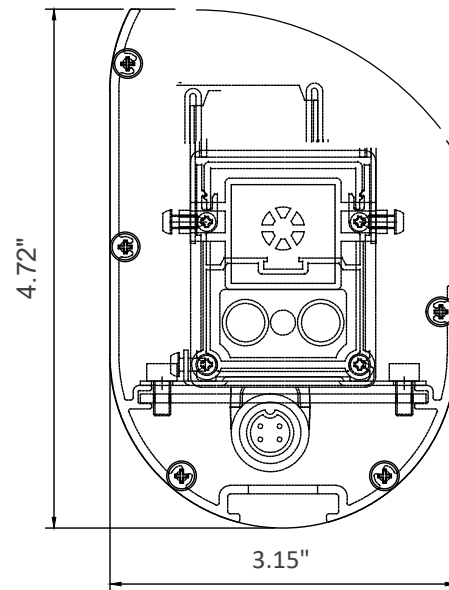
- Extruded aluminum housing with stainless steel hardware
- Black or Bronze Powder-coat finish standard - RAL custom colors available
- Extended arms 6", 12", 18", 24" or 36"
- Ground post mounting
- No visible wires or mounting hardware
- Integrated Glare Shield and optional Louvers
- Stand-alone or Row mounted
- Adjustable housing with calibrated system for precise angle up to 25°+/-
- Mounted direct or indirect, horizontally or vertically

### WARRANTY

Our fixtures are backed by a 5-year limited warranty.

### PHYSICAL

<b>Housing</b>	Extruded Anodized Aluminum
<b>Fixture Lengths</b>	10", 19", 28", 37", 46"
<b>Housing Colors</b>	Bronze, Black, White, Silver, custom
<b>Connection</b>	Quick connect plug and play
<b>Mounting</b>	Extended arms or ground post
<b>Environment</b>	IP66 Wet, Damp or Dry Locations
<b>Glare Protection</b>	Integrated glare shield - optional louvers



# HB40 Mounting

FIXTURE SOLD SEPARATELY

DATE

FIRM

PROJECT

CONTACT

## PART NUMBER

MODEL	HOUSING LENGTH	FINISH	MOUNTING	OPTIONS
HB40EXT	10 10"	BZ Bronze	6" 6" Arm	L Louvers
	19 19"	BK Black	12" 12" Arm	N None
	28 28"	WH White	18" 18" Arm	
	37 37"	SI Silver	24" 24" Arm	
	46 46"	CU Custom	36" 36" Arm	
		RAL _____	GPS Ground Post	

Standard fixture housing is anodized aluminum. Powder coating is available from factory in Black, Bronze, White, or custom. There is a minimum quantity for powder coating or a surcharge will be added.

## ACCESSORIES

### MOUNTING HARDWARE

AL-HB40 ADJ.BRACKET	HB40 Adjustable Bracket
HBEXT-GPS	Ground post stake

1ft & 2ft extrusions require one ground post stake (HBEXP-GPS). 3ft & 4ft extrusions require two ground post stakes (HBEXP-GPS).

### GLARE PROTECTION

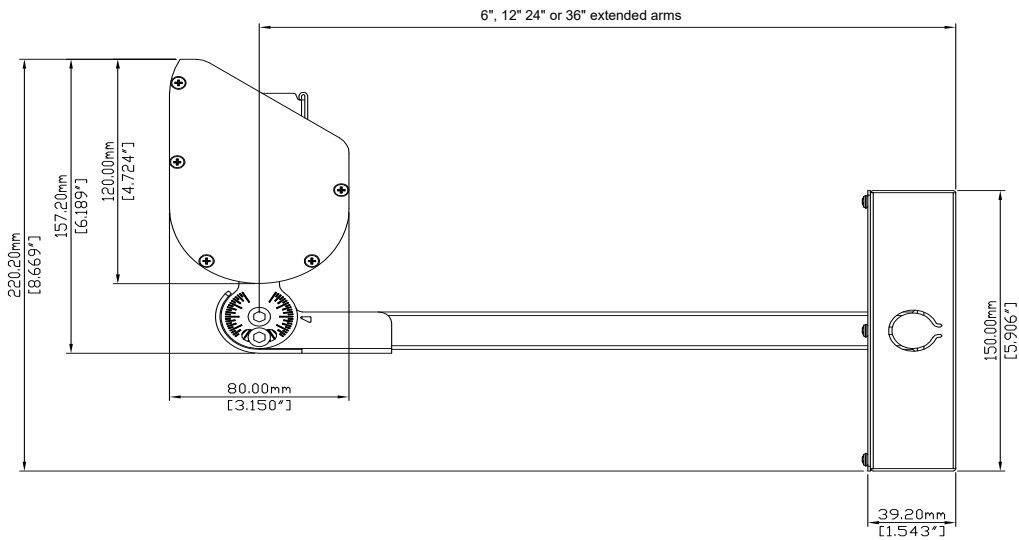
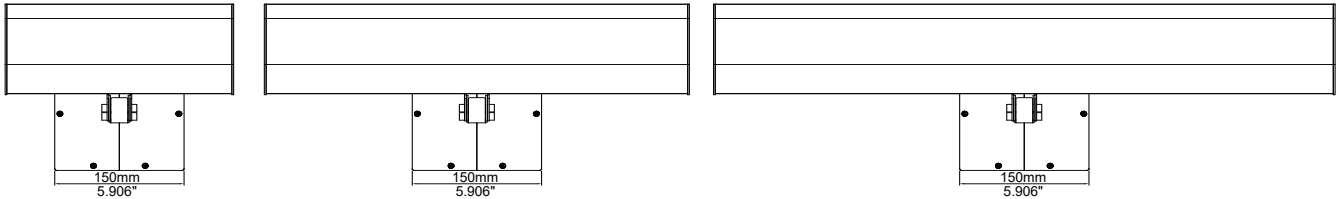
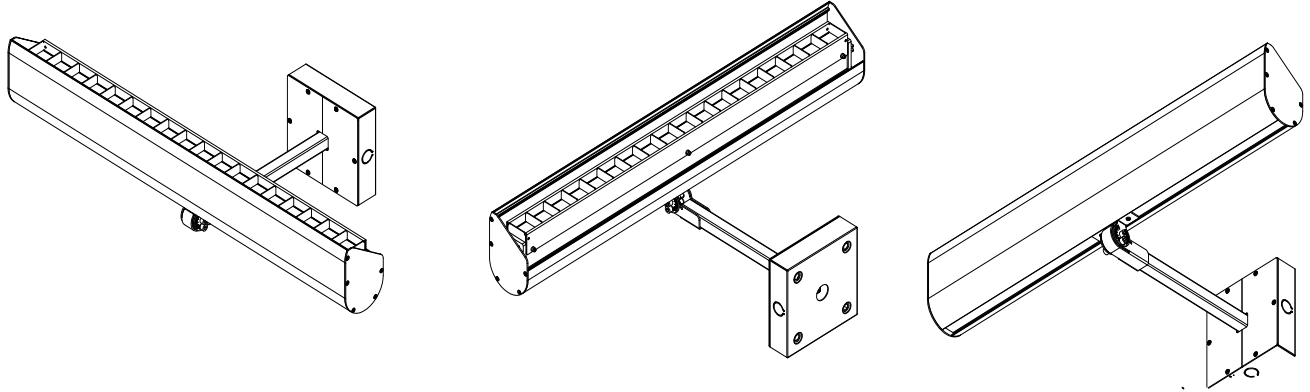
HB40-10" LOUVER	10" Louver
HB40-19" LOUVER	19" Louver
HB40-28" LOUVER	28" Louver
HB40-37" LOUVER	37" Louver
HB40-46" LOUVER	46" Louver

Standard louvers are in Black. Special order for Bronze, White, Silver or custom.

# HB40 Extended Arm Mounting

FIXTURE SOLD SEPARATELY

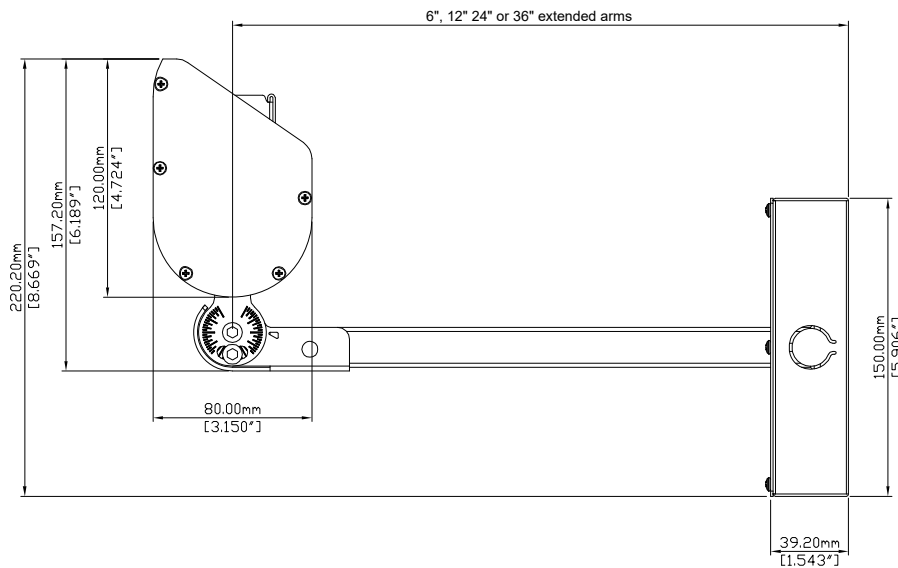
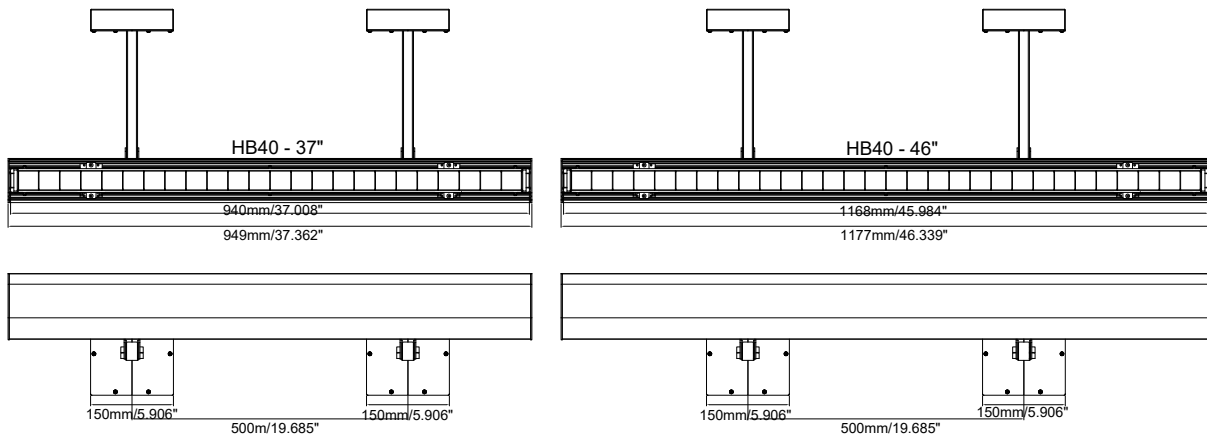
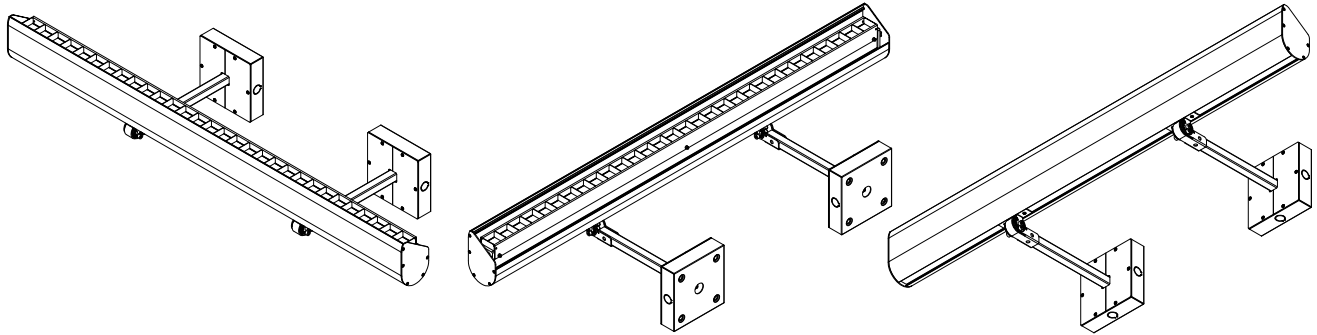
10", 19" AND 28" EXTRUSIONS WITH SINGLE MOUNTING ARMS



# HB40 Extended Arm Mounting

FIXTURE SOLD SEPARATELY

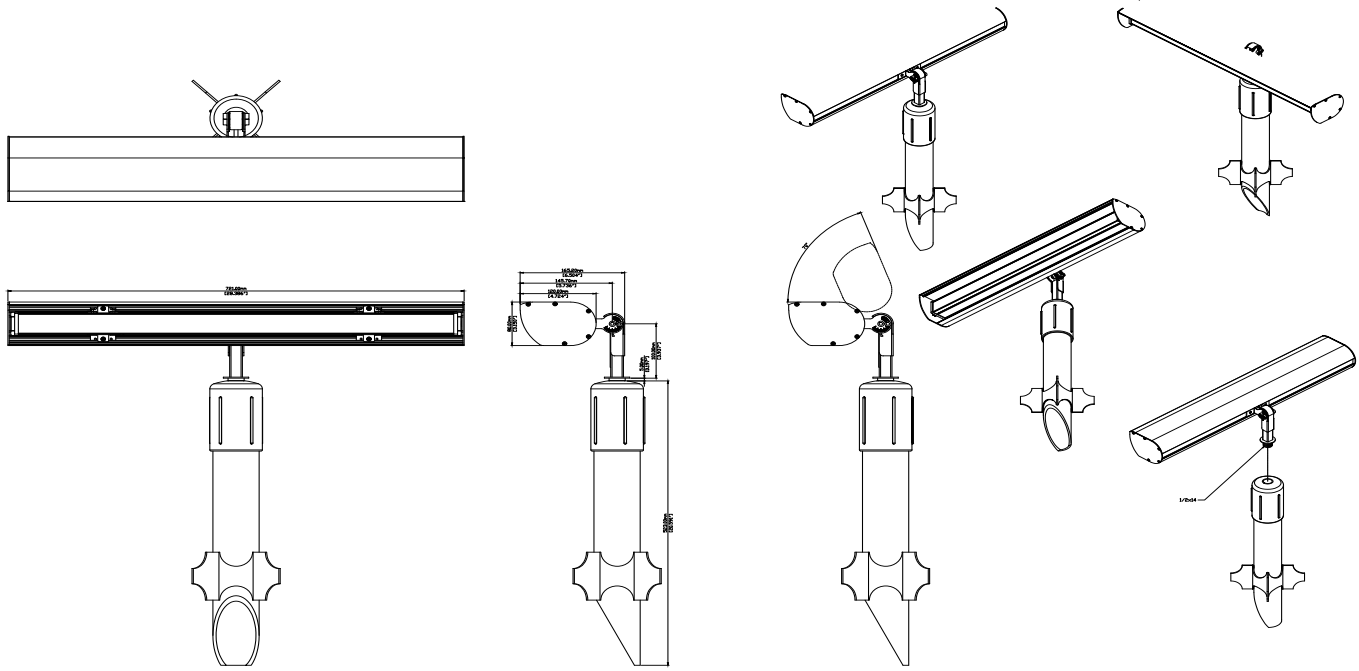
## 37" AND 46" EXTRUSIONS WITH DOUBLE MOUNTING ARMS



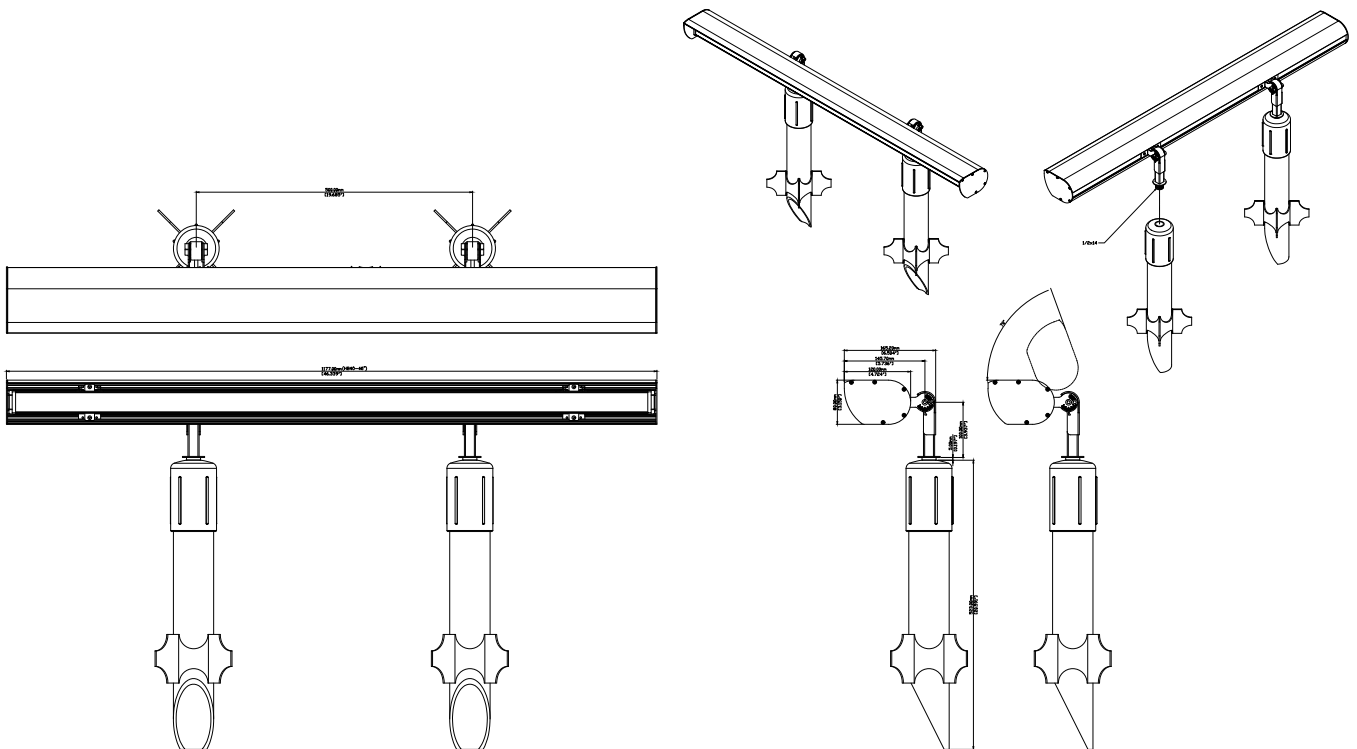
# HB40 Ground Post Mounting

FIXTURE SOLD SEPARATELY

## 10", 19" AND 28" EXTRUSIONS WITH ONE THREADED ARM



## 37" AND 46" EXTRUSIONS WITH TWO THREADED ARMS



# HB40 Louvers

FIXTURE SOLD SEPARATELY

## LOUVERS

