



HB40HP RGBW

LINEAR LED LIGHTBAR

POWERFUL | HIGH PERFORMANCE
 13w/ft | RGBW | DMX

Exterior: Graze | Wall Washing | Flood Lighting



The Smart Lighting Company HB40HP RGBW Series, an economical line of wet location rated, high-performance linear architectural fixtures designed for versatile exterior applications such as grazing, wall-washing, and flood lighting. These fixtures operate at 13 watts per foot using Nichia bin-sorted LEDs and precision optics, ensuring superior, even illumination across various settings. Our in-house designed and manufactured optical lenses focus on energy efficiency, maximizing light output with minimal power usage. With DMX control and self-addressing for easy operation, the series offers an array of options in fixture length, color temperature, optics, mounting, and finishes. Each fixture boasts an integral universal 100/277VAC power supply and full thermal management, complemented by a Plug and Play system that streamlines installation while handling both power and signal. The HB40HP RGBW is housed in durable extruded anodized aluminum with tooled end caps for longevity, and brings affordable, no-compromise performance to your architectural lighting.



SPECIFICATIONS

PERFORMANCE

Output

13w/ft | 641lm/ft

Color Temperatures

RGBW

Beam Angles

15°, 20°, 30°, 45°, 60°, 75°, 90°, 120°,
18°x26°, 18°x58°, 30°x60°, 26°x18°, 58°x18°, 60°x30°

LEDs per Foot

16 (4R, 4G, 4B, 4W) LED's/ft

LED's

Nichia bin-sorted

Color Consistency

2 SCDM

ELECTRICAL

Input Voltage

100-277vac

Power Supply

Integral

Control

DMX

Resolution

Per 9" or per fixture

Heat dissipation

Full thermal management system

Connection

Quick connect plug and play system (power and signal in one cable)

Projected Lumen Maintenance

>90,000 hours

PHYSICAL

Fixture Length Options

10", 19", 28", 37", 46"

Max Run Length

88ft@277vac, 38ft@120vac

Housing

Anodized extruded aluminum, tooled end caps

Lens

Polycarbonate

Fixture Finish (Standard)

Anodized aluminum

Powder Coated Finish (Optional)

Black, Bronze, White, CU

Standard Mounting

Stainless adjustable or flat brackets

Optional Mounting

Powder-coated housing | extended arms or ground post stakes

Operating Temperature

-40°F to 122°F, (-40°C to 50°C)

ENVIRONMENT AND WARRANTY

IP Rating

IP66

Environment

Dry, Damp or Wet locations
0-100% non condensing humidity

Certifications

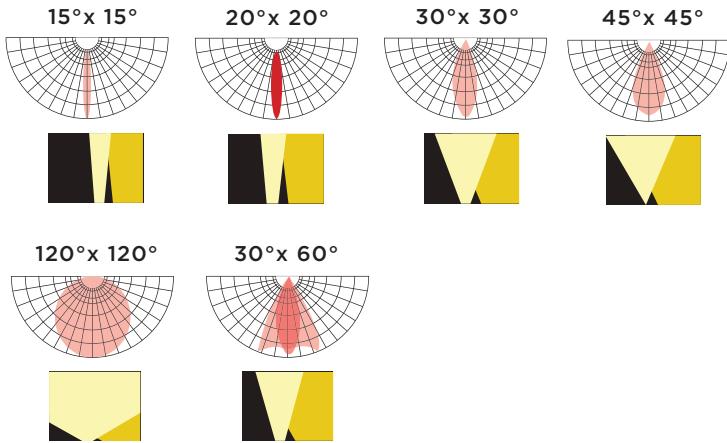
UL, cUL

Warranty

5 year limited warranty

SPECIFICATIONS

OPTICS



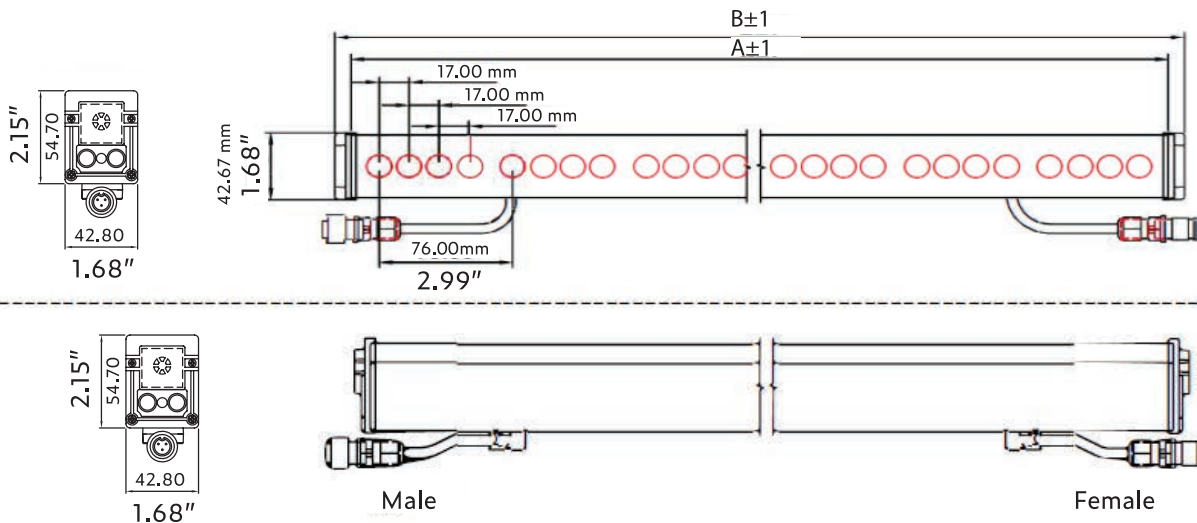
COLOR TEMPERATURES



DIMENSIONS AND DATA

13w/ft	Voltage	View Angle	Watts/Fixture	Lumens/Fixture	LEDs/Fixture	Extrusion Length	Total Length
HB40HP-10-XXK-XXD-ACD	100-277VAC	15°, 20°, 30°	10w	534	3R, 3G, 3B, 3W	L=237.4mm	L=256mm (10")
HB40HP-19-XXK-XXD-ACD		45°, 60°, 75°	20w	1015	6R, 6B, 6G, 6W	L=465.4mm	L=484mm (19")
HB40HP-28-XXK-XXD-ACD		90°, 120°	30w	1496	9R, 9G, 9B, 9W	L=693.0mm	L=712mm (28")
HB40HP-37-XXK-XXD-ACD		18°x26°	40w	1976	12R, 12G, 12B, 12W	L=921.4mm	L=940mm (37")
HB40HP-46-XXK-XXD-ACD		18°x58° 30°x60°	50w	2457	15R, 15G, 15B, 15W	L=1149.4mm	L=1168mm (46")

PROFILE



ORDER FORM

CREATE YOUR FIXTURE

Ex. HB40HP-37-RGBW30-3060-AC-DM

MODEL	LENGTH	COLOR	OPTICS
HB40HP	10" 19" 28" 37" 46"	RGBW 27k 30k 35k 41k 50k 65k A	15°x15° 20°x20° 30°x30° 45°x45° 60°x60° 75°x75° 90°x90° 120°x120°
13w/ft.	10 inches 19 inches 28 inches 37 inches 46 inches	2700k 3000k 3500k 4100k 5000k 6500k Amber	1826 1858 3060 2618 5818 6030
		Select the W - 30k is standard	18°x26° 18°x58° 30°x60° 26°x18° 58°x18° 60°x30°
VOLTAGE	CONTROL		
AC	DM DS	100-277vac	Addressable/9" Addressable/fixture

SELECT CONNECTION

Wire Lead

QTY	POWER/SIGNAL	
	AL-HB5P-72"-W/L	72" (6ft) Wire lead 5pin
	AL-HB5P-xx"-W/L	xx" (CU) Wire lead 5pin

* 1 wire lead required for each run.

End Cap

QTY		
	AL-HB3P-ENDCAP	End cap for fixture output at end of run

* 1 End cap required at the end of each run

Jumper Cable

QTY	POWER/SIGNAL	
	AL-HB5P-12"-J	12" (1ft) jumper 5pin
	AL-HB5P-72"-J	72" (6ft) jumper 5pin
	AL-HB5P-xx"-J	xx" (CU) jumper 5pin

* Fixtures are end to end connected. Use jumpers if space is needed between fixtures.

SELECT MOUNTING

QTY	MOUNTING BRACKETS - 2 REQUIRED PER FIXTURE	
	AL-HB40ADJ BRACKET	HB40 Adjustable bracket
	AL-HB40FLAT BRACKET*	HB40 Flat bracket

* Flat brackets only used if fixture is mounted in powder coated housing

ADDITIONAL OPTIONS

Optional Powder Coated Finish

QTY	POWDER COATED FINISHES AVAILABLE FOR ADDITIONAL COST	
	BK	Black
	BZ	Bronze
	WH	White
	CU	Custom

* Fixture housing is anodized aluminum standard

DMX Controller

QTY		
	NIC-DMX-STICK-DE3	DMX Controller

Surge Protection

QTY		
	LSP4-UNV	120/277v surge protector

Junction Boxes

QTY		
	AC5A-DMX-3WB1	Power and CAT5 signal splitter
	AC5A-DMX-3WB2	AC Power amplifier for long run lengths
	AC5A-DMX-3WB3	Power and Wire lead signal splitter

* Used in place of wire leads to separate power and signal

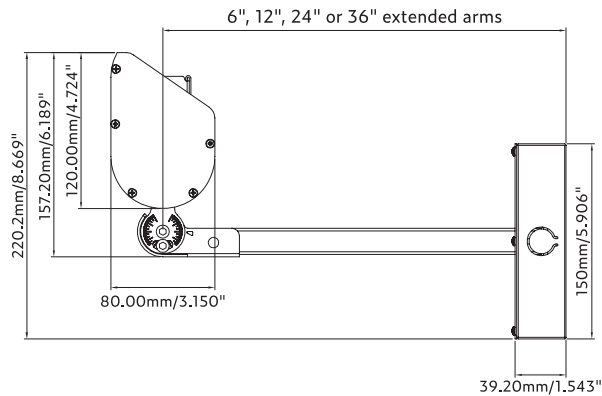
ADDITIONAL MOUNTING OPTIONS

Housing and Extended Arms

Fixture can be mounted in a powder coated housing with integral glare shield

QTY	Housing	(L) Housing Length	(F) Finish	(A) Extended Arm Length
	HB40EXT-	10"	BK - Black	6"
		19"	BZ- Bronze	12"
		28"	WH - White	18"
		37"	SI - Silver	24"
		46"	CU - Custom	36"

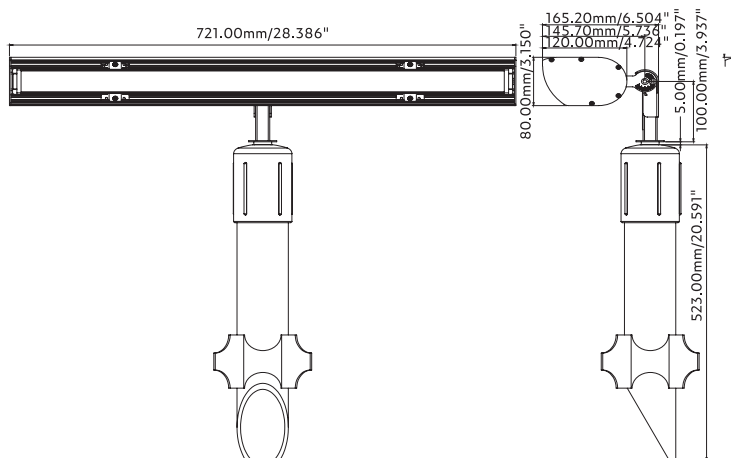
GPA (Ground Post Arm)



Ground Posts

QTY **Select when using GPA above (1 per fixture for 10", 19" & 28" housing and 2 for 37" & 46" housing)**

HBEXT-GPS Ground post mount



GLARE PROTECTION

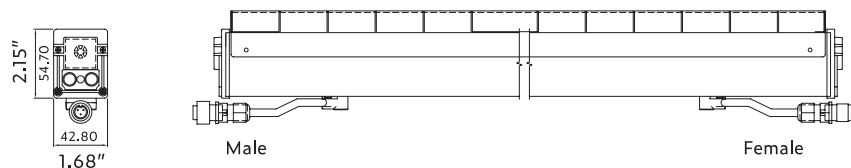
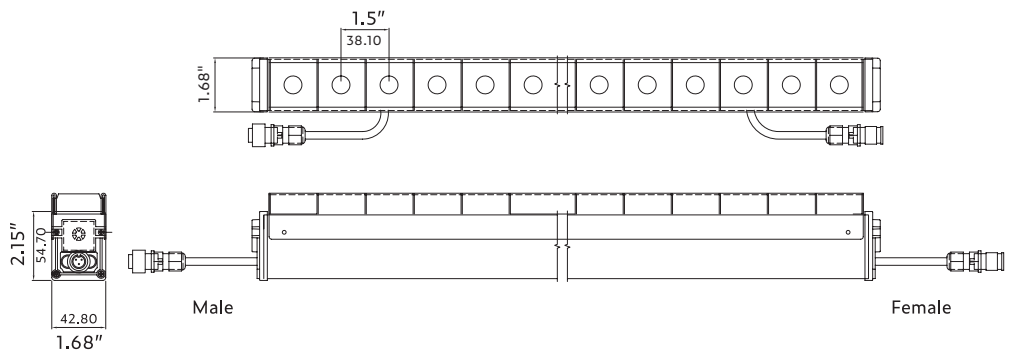
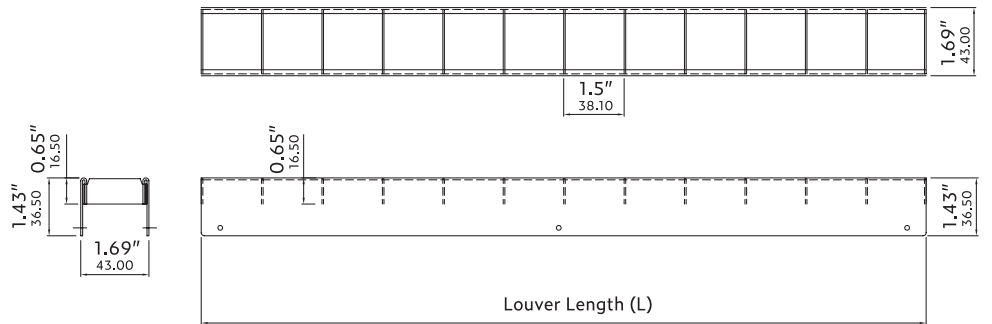
LOUVERS

Glare Control

Standard black finish powder coated louvers

QTY	Housing	(L) Housing Length	(F) Finish
	HB40-10" LOUVER	10"	BK - Black
	HB40-19" LOUVER	19"	BZ - Bronze
	HB40-28" LOUVER	28"	WH - White
	HB40-37" LOUVER	37"	SI - Silver
	HB30-46" LOUVER	46"	CU - Custom

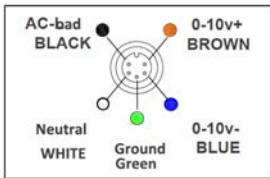
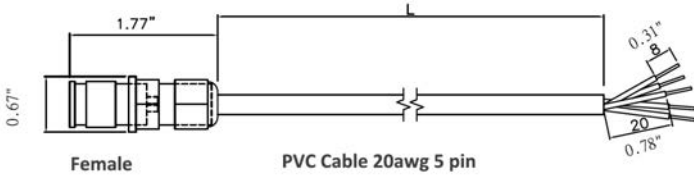
* Other powder coated finishes available for additional cost



WIRING OPTIONS

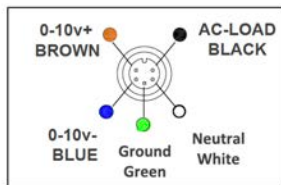
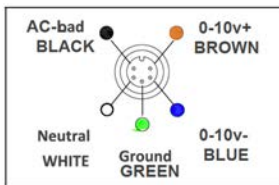
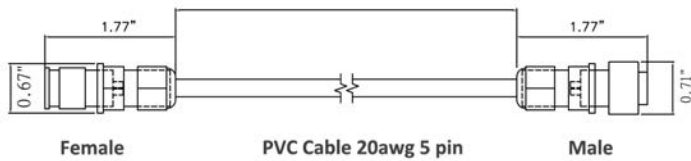
WIRE LEAD

DESCRIPTION | **PART NUMBER**
5 pin power / signal wire | AL-HB5P-xx"-W/L



JUMPER CABLE

DESCRIPTION | **PART NUMBER**
5 pin power / signal jumper | AL-HB5P-xx"-J



POWER/SIGNAL

DISTRIBUTION BOXES

Date:
 Type:
 Project:
 Firm:

JUNCTION BOX - POWER AND CAT5 SIGNAL SPLITTER

JUNCTION BOX

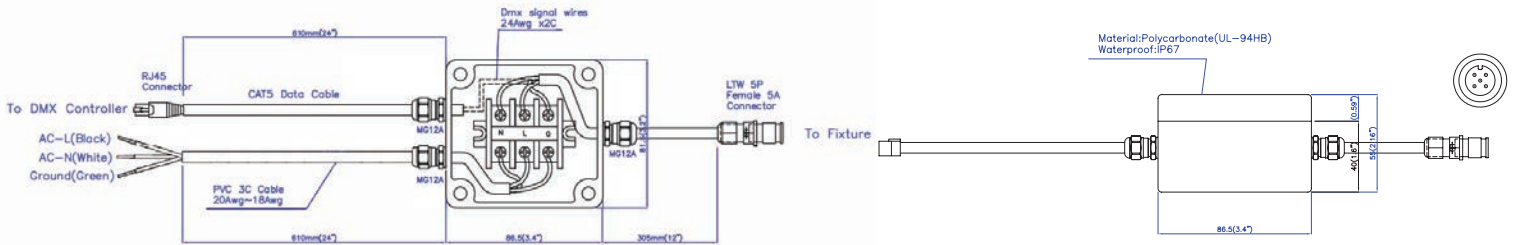
AC5A-DMX-3WB1

INPUT

24" PVC Cat5 Cable for DMX Data 24"
 PVC Cable (3 leads) for AC Power

OUTPUT

12" Cable w 5P Female 5A Connector



JUNCTION BOX-AC POWER AMPLIFIER FOR LONG RUN LENGTHS

JUNCTION BOX

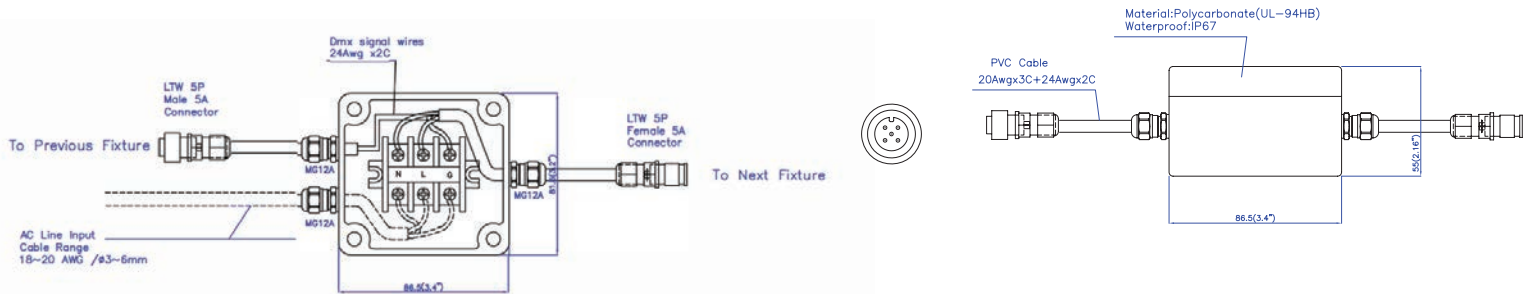
AC5A-DMX-3WB2

INPUT

12" PVC Cable w/ 5P Male 5A Connector

OUTPUT

12" PVC Cable w/ 5P Female 5A Connector



JUNCTION BOX - POWER AND WIRE LEAD SIGNAL SPLITTER

JUNCTION BOX

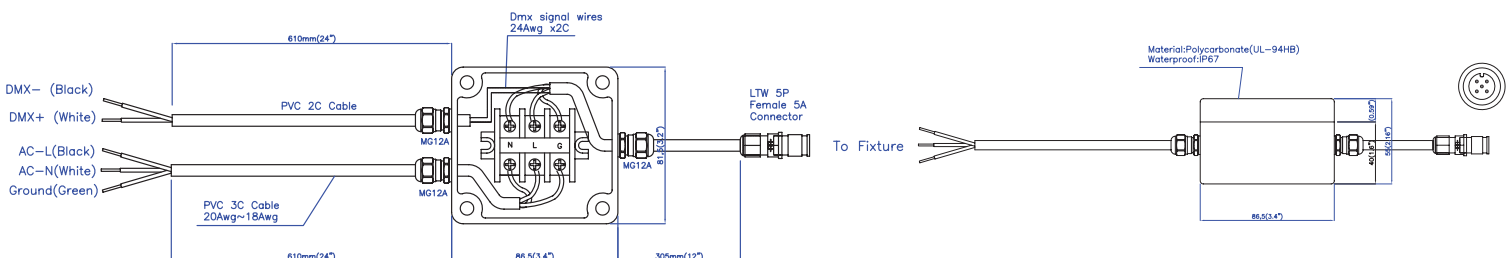
AC5A-DMX-3WB1

INPUT

24" PVC Cable (2 leads) for DMX Data
 24" PVC Cable (3 leads) for AC Power

OUTPUT

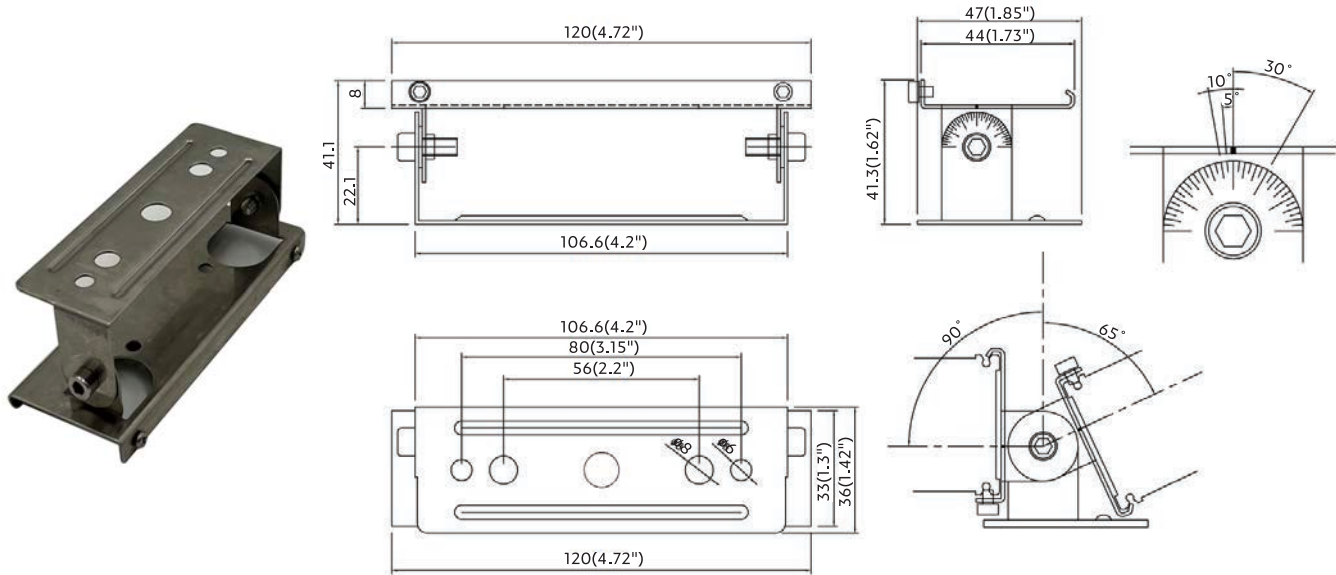
12" Cable w 5P Female 5A Connector



MOUNTING BRACKETS

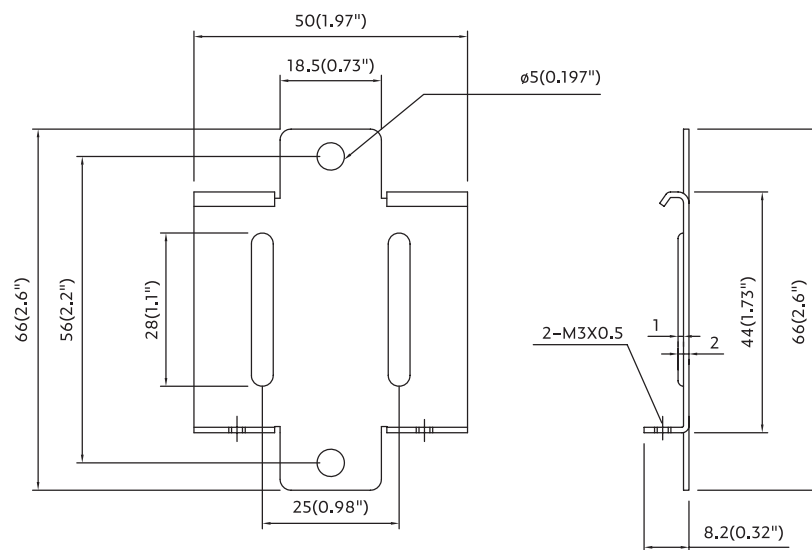
ADJUSTABLE BRACKETS

DESCRIPTION	PART NUMBER
HB40 Adjustable Bracket	AL-HB40 ADJ.Bracket



FLAT BRACKETS

DESCRIPTION	PART NUMBER
HB40HP Flat Bracket	AL-HB40HP-Flat Bracket



SURGE PROTECTION DEVICE

Date:
 Type:
 Project:
 Firm:

SURGE PROTECTION

DESCRIPTION

Surge Protection Device

PART NUMBER

AL-LSP-UNV

The use of a surge protection device is necessary to maintain your warranty. Specifications are subject to change without notice.

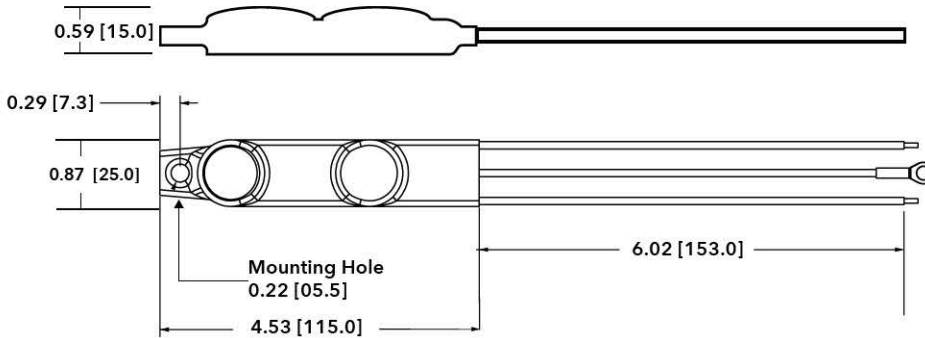
SPECIFICATIONS

Input Voltage	120-277V (+/- 5%)		
Frequency	50Hz-60Hz		
Maximum Continuous Voltage	320V		
Maximum Discharge Current	L-N 20kA; L-G, N-G 10kA (8/20Qs standard wave)		
Nominal Discharge Current	5kA		
Measured Limiting Voltage (VpK)	L-N	L-G	N-G
	1200	1320	1320
Max Case Temperature	85°C		

PULSE RATING (8 X 20 SEC)		
Surge Level	# of Strikes	
	L-N	L-G, N-G
10,000A	*2	1
6,500A	4	2
5,000A	30	15
2,000A	200	100
700A	20000	1000

*1 strike at 20,000A

MECHANICAL DIMENSIONS : IN (MM)



WIRING DIAGRAM

