



- ✓ Premium Nichia Bin-sorted LEDs
- ✓ Top quality optical beams
- ✓ Universal Voltage
- ✓ Plug and play connectors
- ✓ Full Saturation to over 45 feet
- ✓ Outdoor Locations
- ✓ 5-Year Warranty

HB40HP SERIES

ARCHITECTURAL OUTDOOR LED LINEAR LIGHTING

HB40HP



Performance: 8.8w/ft | 744lm/ft, 12w/ft | 975lm/ft
Beam Angles: 15°, 20°, 30°, 45°, 60°, 75°, 90°, 120°, 13°x17°, 15°x35°, 18°x26°, 18°x58°, 30°x60°
CCT: Static Colors
Control: 0-10v dimming
Fixture lengths: 10", 19", 28", 37", 46"

HB40HP RGB



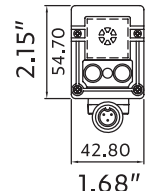
Performance: 13w/ft
Beam Angles: 15°, 20°, 30°, 45°, 60°, 75°, 90°, 120°, 18°x26°, 18°x58°, 30°x60°
CCT: RGB
Control: DMX self-addressing per fixture or 9"
Fixture lengths: 10", 19", 28", 37", 46"

HB40HP RGBW

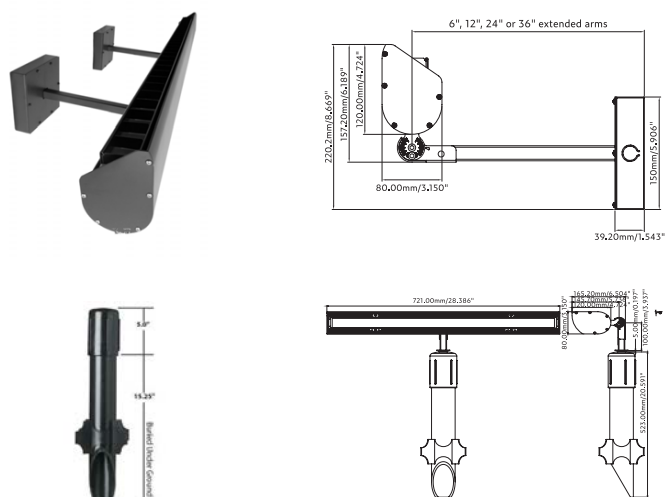


Performance: 13w/ft
Beam Angles: 15°, 20°, 30°, 45°, 60°, 75°, 90°, 120°, 18°x26°, 18°x58°, 30°x60°
CCT: RGBW
Control: DMX self-addressing per fixture or 9"
Fixture lengths: 10", 19", 28", 37", 46"

PROFILE



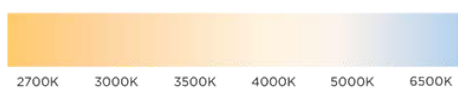
MOUNTING OPTIONS



- Stainless Adjustable brackets
- Optional Anodized Aluminum Extruded housing w/Integral Glare Shield
- Extended Arm or Ground Post mounting
- Extended Arm lengths: 6", 12", 18", 24" or 36"
- Row mounted or stand-alone
- Black, Bronze, White & Silver Powder-coated finish
 –Additional RAL custom colors are available
- Optional Louvers



COLOR TEMPERATURES



CERTIFICATIONS

