



KARMA HB40RP

POWERFUL | HIGH PERFORMANCE
12w/ft - 975lm/ft



LINEAR LED LIGHTBAR

Graze | Wall Wash | Cove | Facade Lighting

KARMA Series is a linear, high-performance LED luminaire designed for exterior architectural applications, delivering intense illumination in ranges between 5 and 45 feet. Fixtures can be row mounted, or standalone. With 975 lumens per foot, this fixture is adept at precise grazing, wall washing, cove, and flood lighting. The use of Nichia Bin sorted LEDs within a 2-step MacAdam ellipse ensures the high-quality, consistent illumination that architects and lighting designers demand. Engineered for efficiency, our optical lenses maximize light output while minimizing power consumption.

The KARMA features a universal 100-277VAC power supply with 0-10v dimming, and is available in five lengths, catering to a wide spectrum of color temperatures. Built to last, the KARMA boasts a durable extruded anodized aluminum housing with black powder coated finish, tooled end caps and IP66 rated Plug and Play connectors. With a range of mounting options, the KARMA is built for affordable long-lasting performance.



SPECIFICATIONS

PERFORMANCE

Output

12w/ft - 975lm/ft

Color Temperatures

18k, 22k, 25k, 27k, 30k, 35k, 41k, 50k,

R, G, B, A

Beam Angles

15°, 20°, 30°, 45°, 120°,

13°x17°, 30°x60°

LEDs per Foot

8

LED's

Nichia bin-sorted

Color Consistency

2 SCDM

CRI

83 std, 94 optional

ELECTRICAL

Input Voltage

100-277vac

Power Supply

Integral

Control

0-10v dimming

Heat dissipation

Full thermal management system

Connection

Quick-connect power & signal in 1 cable

Projected Lumen Maintenance

>90,000 hours

PHYSICAL

Fixture Length Options

10", 19", 28", 37", 46"

Max Run Length

12w - 90ft/277vac, 40ft@120vac

Housing

Anodized extruded aluminum, tooled end caps

Lens

Polycarbonate

Fixture Finish (Standard)

Black finish

Powder Coated Finish (Optional)

Bronze, White, CU

Standard Mounting

Stand alone or row mounted with stainless adjustable brackets

Optional Mounting

Extended arms (6", 12", 18") or ground post adapters

Operating Temperature

-40° F to 122° F, (-40° C to 50° C)

ENVIRONMENT AND WARRANTY

IP Rating

IP66

Environment

Dry, Damp or Wet locations

0-100% non-condensing humidity

Certifications

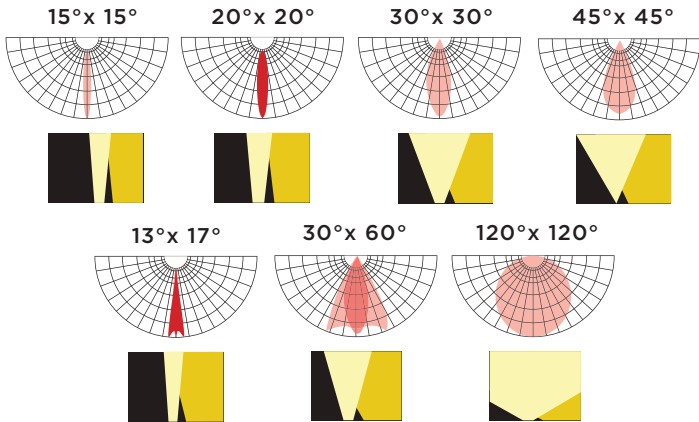
UL, cUL

Warranty

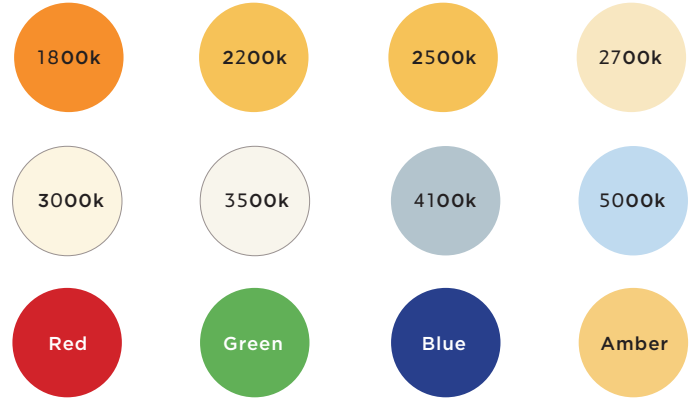
5 year limited warranty

SPECIFICATIONS

OPTICS

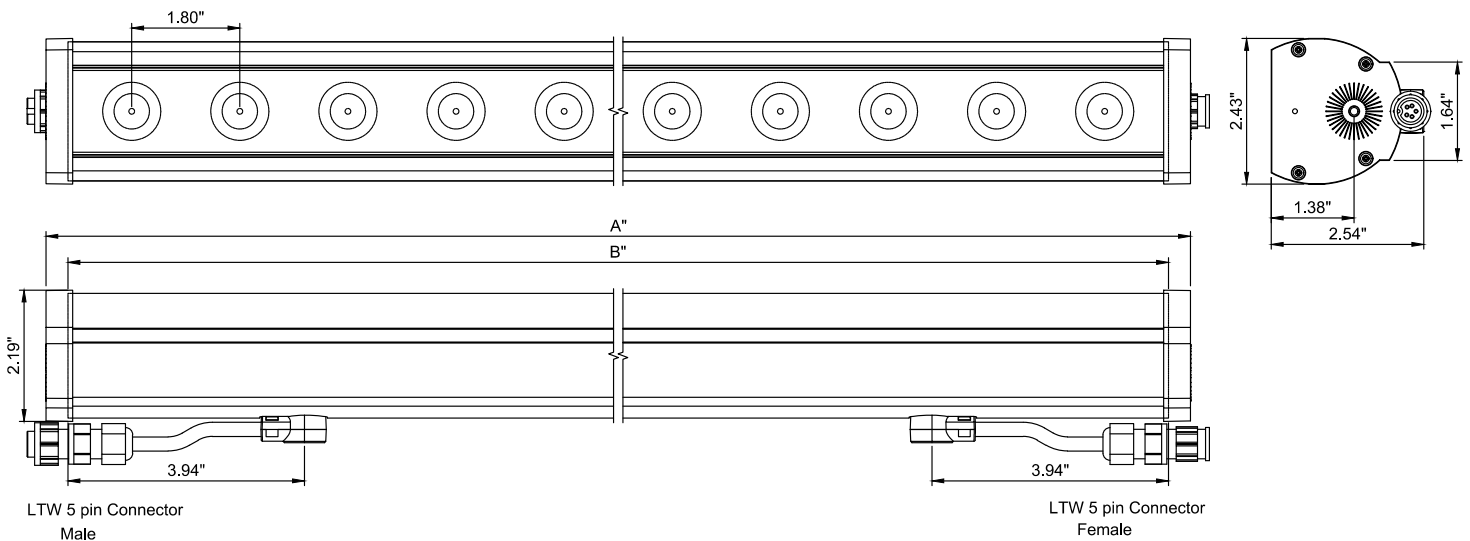


COLOR TEMPERATURES



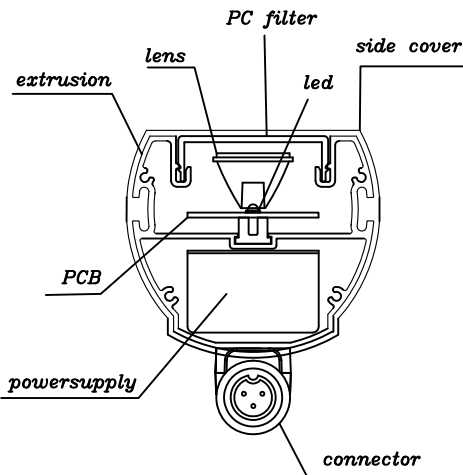
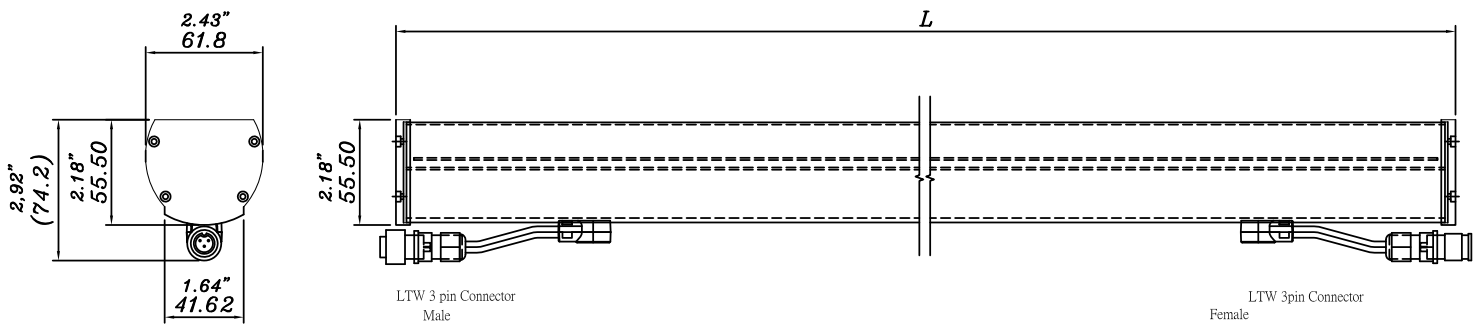
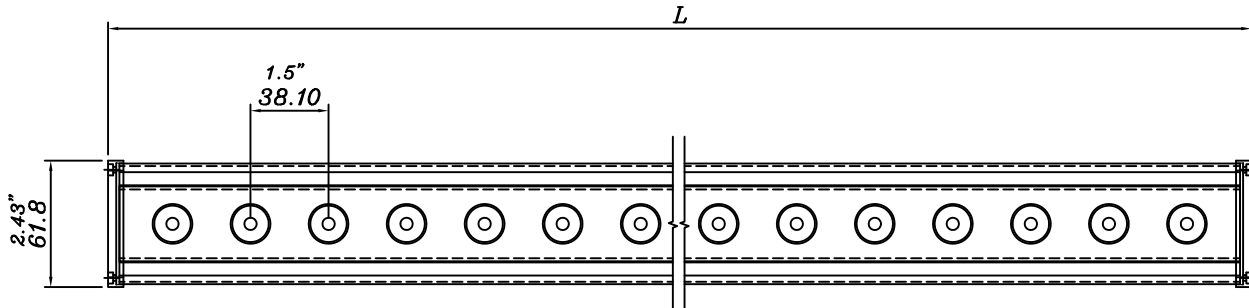
DIMENSIONS AND DATA

| 12w/ft | Voltage | View Angle | Watts/Fixture | Lumens/Fixture | LEDs/Fixture | Extrusion Length | Total Length |
|--------------------------|------------|--|---------------|----------------|--------------|------------------|----------------|
| HB40RP-10-XXK-XXD-ACD-12 | 100-277VAC | 15°, 20°, 30°, 45°, 120°, 13°x17°, 30°x60° | 9.2w | 813 | 5 | L=237.4mm | L=256mm (10") |
| HB40RP-19-XXK-XXD-ACD-12 | | | 18.4w | 1544 | 10 | L=465.4mm | L=484mm (19") |
| HB40RP-28-XXK-XXD-ACD-12 | | | 27.6w | 2275 | 15 | L=693.0mm | L=712mm (28") |
| HB40RP-37-XXK-XXD-ACD-12 | | | 36.8w | 3006 | 20 | L=921.4mm | L=940mm (37") |
| HB40RP-46-XXK-XXD-ACD-12 | | | 46.0w | 3738 | 25 | L=1149.4mm | L=1168mm (46") |



SPECIFICATIONS

PROFILE



ORDER FORM

CREATE YOUR FIXTURE

Ex. HB40RP-46-30K-30-ACD-12

| MODEL | LENGTH | COLOR | OPTICS |
|---------------|---|---|--|
| HB40RP | 10" 10 inches 19" 19 inches 28" 28 inches 37" 37 inches 46" 46 inches | 18k 1800k R Red 22k 2200k G Green 25k 2500k B Blue 27k 2700k A Amber 30k 3000k 35k 3500k 41k 4100k 50k 5000k | 15 15°x15° 120 120°x120° 20 20°x20° 1317 13°x17° 30 30°x30° 3060 30°x60° 45 45°x45° |
| VOLTAGE | CONTROL | POWER | |
| AC 100-277vac | D Dimming ND Non Dimming | 12 12w/ft | |

SELECT CONNECTION

Wire Lead

| QTY | POWER/SIGNAL | |
|-----|-----------------|--------------------------|
| | AL-HB5P-72"-W/L | 72" (6ft) Wire lead 5pin |
| | AL-HB5P-xx"-W/L | xx" (CU) Wire lead 5pin |
| QTY | POWER | |
| | AL-HB3P-72"-W/L | 72" (6ft) Wire lead 3pin |
| | AL-HB3P-xx"-W/L | xx" (CU) Wire lead 3pin |

* 1 wire lead required for each run.

End Cap

| QTY | | |
|-----|----------------|--|
| | AL-HB5P-ENDCAP | End cap for fixture output at end of run |

Jumper Cable

| QTY | POWER/SIGNAL | |
|-----|---------------|-----------------------|
| | AL-HB5P-12"-J | 12" (1ft) jumper 5pin |
| | AL-HB5P-72"-J | 72" (6ft) jumper 5pin |
| | AL-HB5P-xx"-J | xx" (CU) jumper 5pin |

* Fixtures are end to end connected. Use jumpers if space is needed between fixtures.

**Not to be used with extended arm mounting

JUNCTION BOX

| QTY | JUNCTION BOX - 1 REQUIRED PER RUN | |
|-----|-----------------------------------|---------------------|
| | AL-HB40RP-JB | HB40RB Junction box |

* Used with wire lead at the beginning of each run to connect AC to the 1st fixture

MOUNTING BRACKETS

| | | |
|--|------------------------|---------------------|
| | AL-HB40RP-FLAT BRACKET | Flat bracket |
| | AL-HB40RP-ADJ BRACKET | Adjustable bracket |
| | AL-HB40RP-GP BRACKET | Ground post bracket |

MOUNTING ARMS

| | | |
|--|----------------------|------------------|
| | AL-HB40RP-6"-ARM-xx | 6" Mounting arm |
| | AL-HB40RP-12"-ARM-xx | 12" Mounting arm |
| | AL-HB40RP-18"-ARM-xx | 18" Mounting arm |

xx =up or down (indicates fixture illumination direction)

* 2 per fixture as a standalone, 1 between each fixture when row-mounted

ADDITIONAL OPTIONS

Powder Coated Finish

| QTY | | |
|-----|----|-------------------------|
| | BK | Black - Standard finish |

Other powder coated finishes available for additional cost

| | | |
|--|----|--------|
| | BZ | Bronze |
| | WH | White |
| | CU | Custom |

* Fixture housing is black powder coated standard

0-10V Dimmer

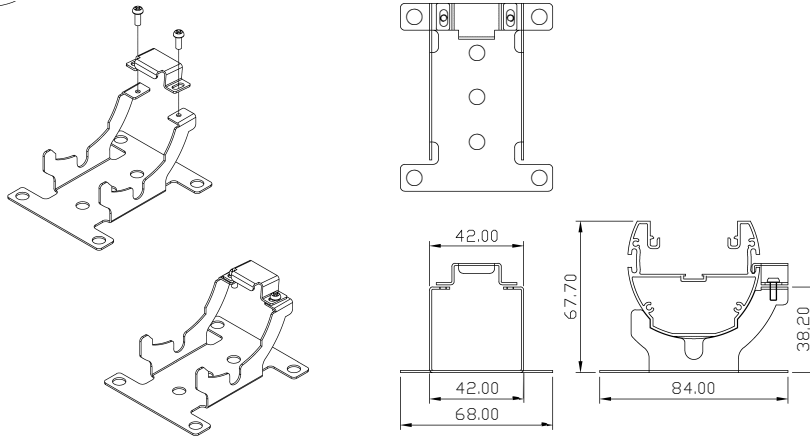
| QTY | | |
|-----|--------------|---------------------|
| | LUT-DVSTV-WH | 0-10V dimmer switch |

Surge Protection

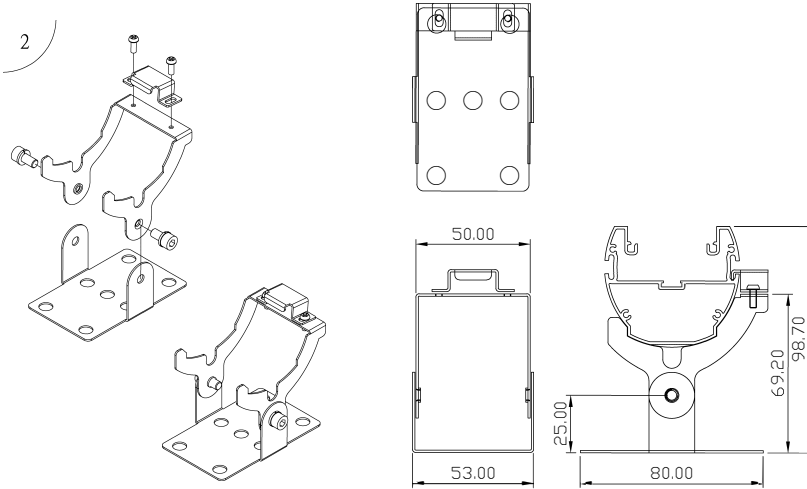
| QTY | | |
|-----|----------|--------------------------|
| | LSP4-UNV | 120/277v surge protector |

BRACKETS

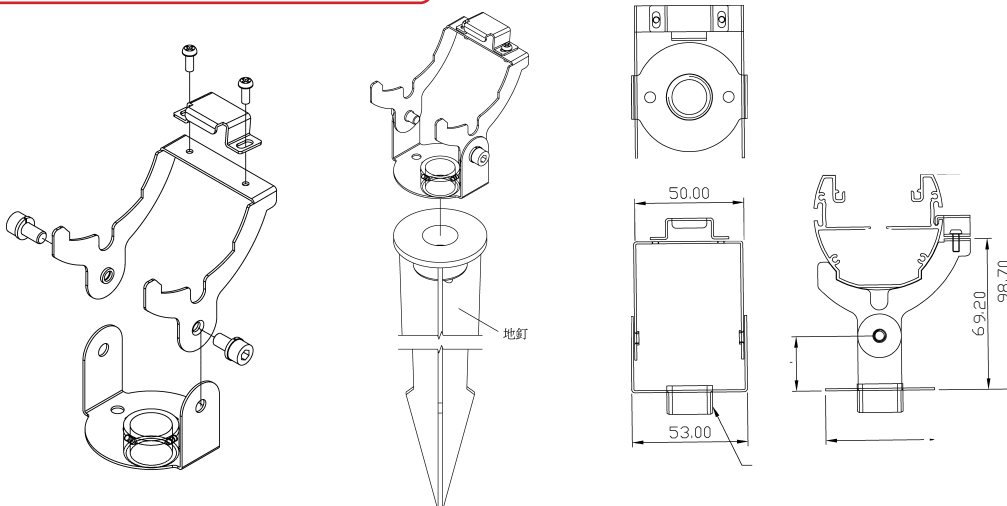
FLAT BRACKETS



ADJUSTABLE BRACKETS



GROUND POST BRACKETS



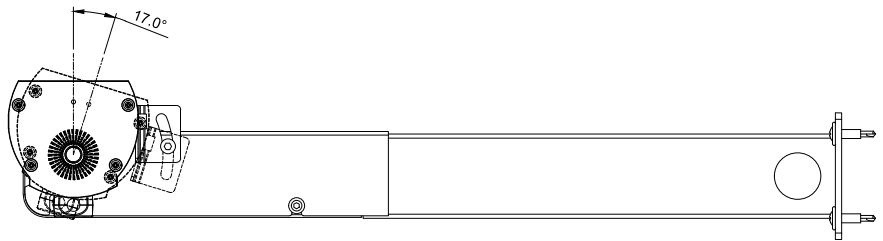
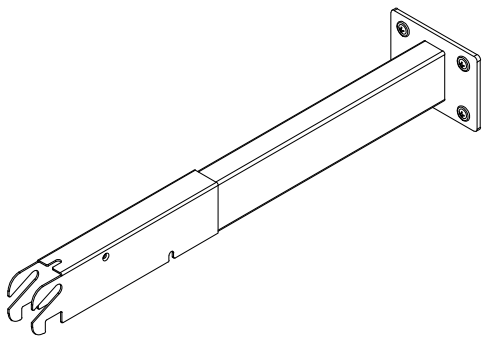
ORDER FORM

MOUNTING OPTIONS

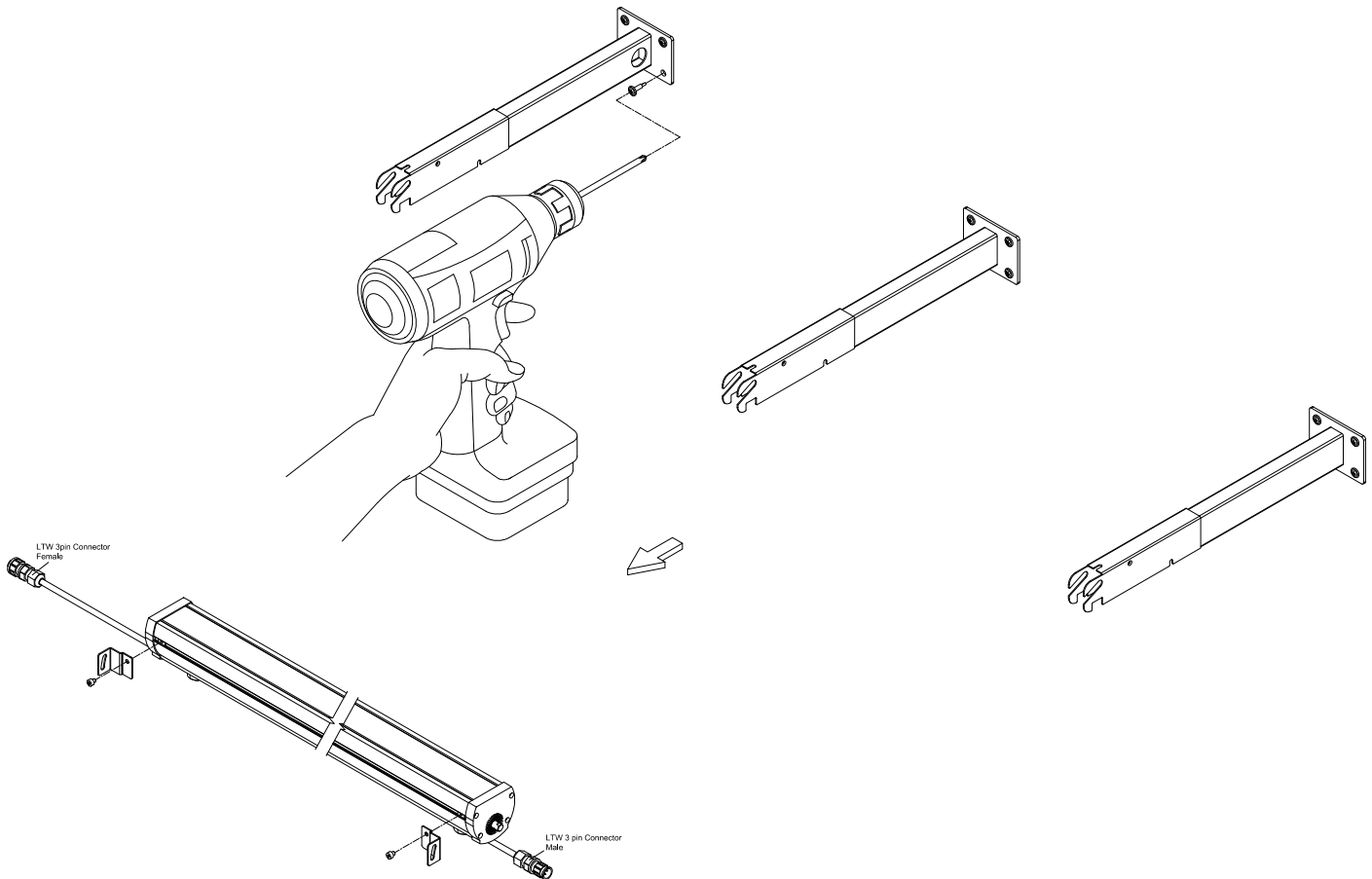
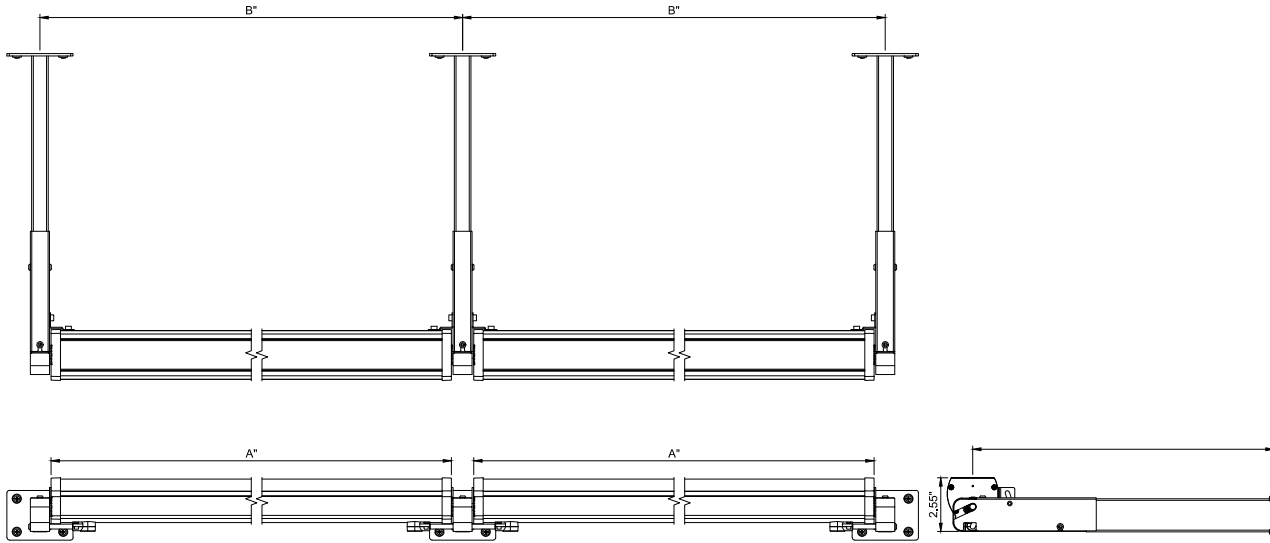
Extended Arms

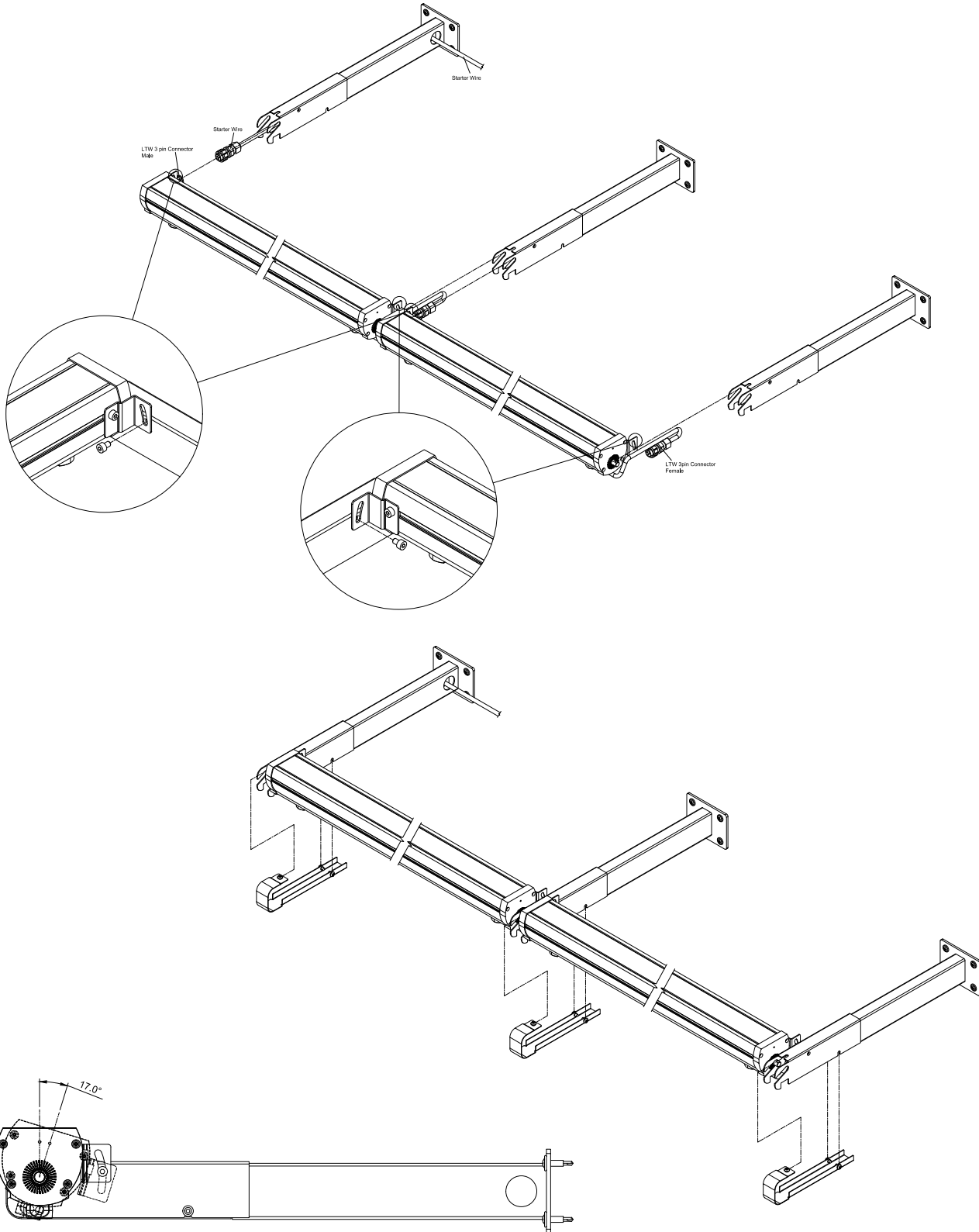
Fixture can be mounted illuminating up or down with 6", 12" or 18" wall mount arms

| QTY | AL-HB40RP- | (ARM LENGTH) | Arm | (Fixture Direction) |
|-----|------------|--------------|-----|---------------------|
| | | 6" | | UP |
| | | 12" | | DN |
| | | 18" | | |



Extended Arms - 6", 12", 18"

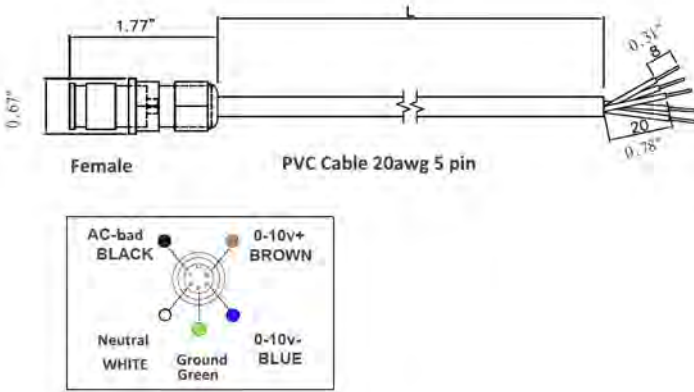




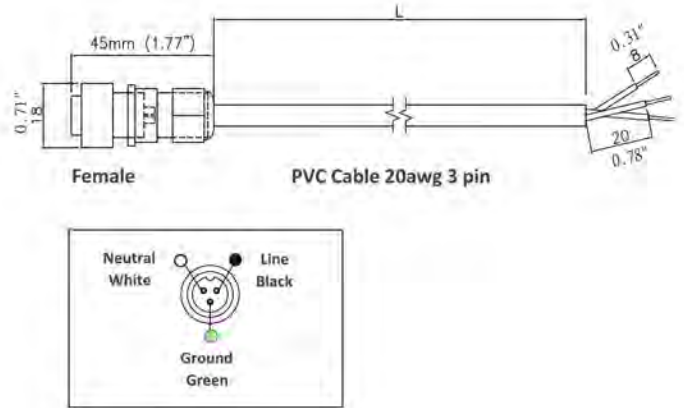
WIRING OPTIONS

WIRE LEAD

| DESCRIPTION | PART NUMBER |
|-------------|-----------------|
| 5 pin wire | AL-HB5P-xx"-W/L |

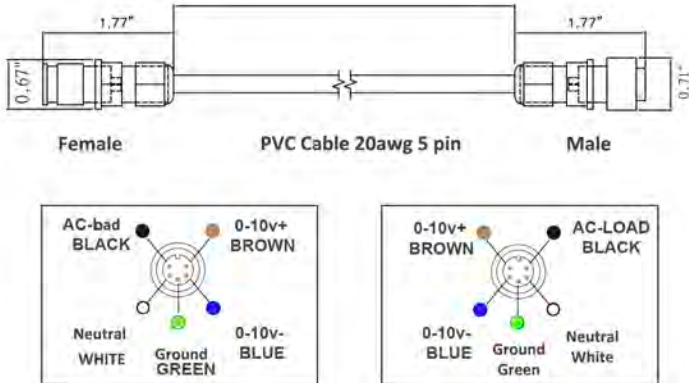


| DESCRIPTION | PART NUMBER |
|-------------|-----------------|
| 3 pin wire | AL-HB3P-xx"-W/L |

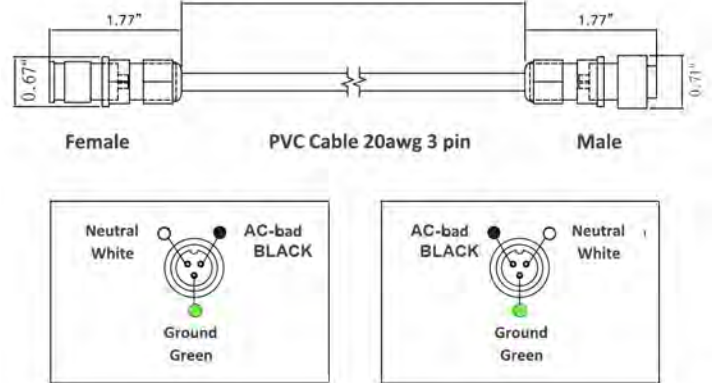


JUMPER CABLE

| DESCRIPTION | PART NUMBER |
|--------------|--------------|
| 5 pin jumper | AL-HB5P-xx"- |



| DESCRIPTION | PART NUMBER |
|--------------|----------------|
| 3 pin jumper | AL-HB3P-xx"- J |



SURGE PROTECTION DEVICE

Date:
 Type:
 Project:
 Firm:

SURGE PROTECTION

DESCRIPTION

Surge Protection Device

PART NUMBER

AL-LSP-UNV

The use of a surge protection device is necessary to maintain your warranty. Specifications are subject to change without notice.

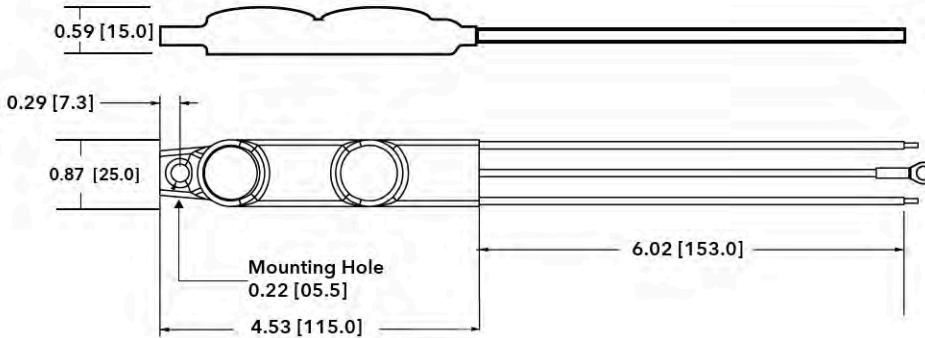
SPECIFICATIONS

| | | | |
|---------------------------------|--|------|------|
| Input Voltage | 120-277V (+/- 5%) | | |
| Frequency | 50Hz-60Hz | | |
| Maximum Continuous Voltage | 320V | | |
| Maximum Discharge Current | L-N 20kA; L-G, N-G 10kA (8/20Qs standard wave) | | |
| Nominal Discharge Current | 5kA | | |
| Measured Limiting Voltage (VpK) | L-N | L-G | N-G |
| | 1200 | 1320 | 1320 |
| Max Case Temperature | 85°C | | |

| PULSE RATING (8 X 20 SEC) | | |
|---------------------------|--------------|----------|
| Surge Level | # of Strikes | |
| | L-N | L-G, N-G |
| 10,000A | *2 | 1 |
| 6,500A | 4 | 2 |
| 5,000A | 30 | 15 |
| 2,000A | 200 | 100 |
| 700A | 20000 | 1000 |

*1 strike at 20,000A

MECHANICAL DIMENSIONS : IN (MM)



WIRING DIAGRAM

