



KARMA HB40RP RGBW

LINEAR LED LIGHTBAR

POWERFUL | HIGH PERFORMANCE
 13w/ft | RGBW | DMX

Exterior: Graze | Wall Wash | Facade Lighting

KARMA Series HB40RP RGBW is an economical line of wet location rated, high-performance linear architectural fixtures designed for versatile exterior applications such as grazing, wall-washing, and flood lighting. Fixtures can be row mounted or stand alone and operate at 13 watts per foot using Nichia bin-sorted LEDs and precision optics, ensuring superior, even illumination across various settings. Our in-house designed and manufactured optical lenses focus on energy efficiency, maximizing light output with minimal power usage. With DMX control and self-addressing for easy operation, the series offers an array of options in fixture length, color temperature, optics, mounting, and finishes.

Each fixture boasts an integral universal 100/277VAC power supply and full thermal management, complemented by a Plug and Play system that streamlines installation while handling both power and signal. The HB40RP RGBW is made in a durable black powder coated housing with tooled end caps for longevity, and brings affordable, no-compromise performance to your architectural lighting.



SPECIFICATIONS

PERFORMANCE

Output

13w/ft | 310lm/ft

Color Temperatures

RGBW

Beam Angles

15°, 20°, 30° 45°, 120°, 30°x60°

LEDs per Foot

16 (4R, 4G, 4B, 4W) LED's/ft

LED's

Nichia bin-sorted

Color Consistency

2 SCDM

ELECTRICAL

Input Voltage

100-277vac

Power Supply

Integral

Control

DMX

Resolution

Per 9" or per fixture

Heat dissipation

Full thermal management system

Connection

Quick connect plug and play system
(power and signal in one cable)

Projected Lumen Maintenance

>90,000 hours

PHYSICAL

Fixture Length Options

10", 19", 28", 37", 46"

Max Run Length

85ft@277vac, 36ft@120vac

Housing

Anodized extruded aluminum, tooled end caps

Lens

Polycarbonate

Fixture Finish (Standard)

Black powder coat

Powder Coated Finish (Optional)

Bronze, White, CU

Standard Mounting

Stand alone or row mounted with stainless adjustable brackets

Optional Mounting

Extended arms (6", 12", 18" or ground post adapters

Operating Temperature

-40°F to 122°F, (-40°C to 50°C)

ENVIRONMENT AND WARRANTY

IP Rating

IP66

Environment

Dry, Damp or Wet locations
0-100% non condensing humidity

Certifications

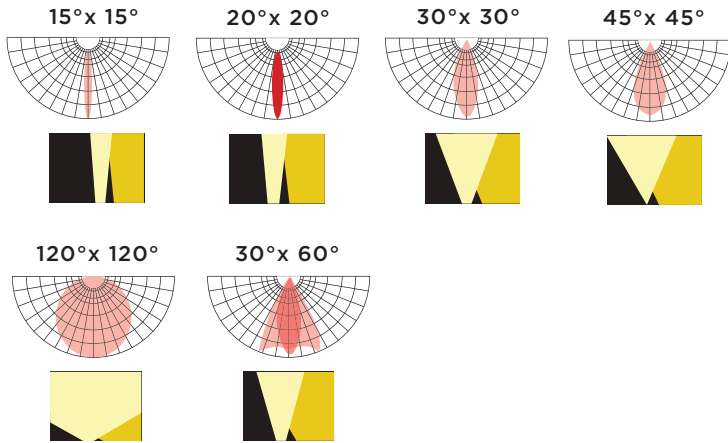
UL, cUL

Warranty

5 year limited warranty

SPECIFICATIONS

OPTICS



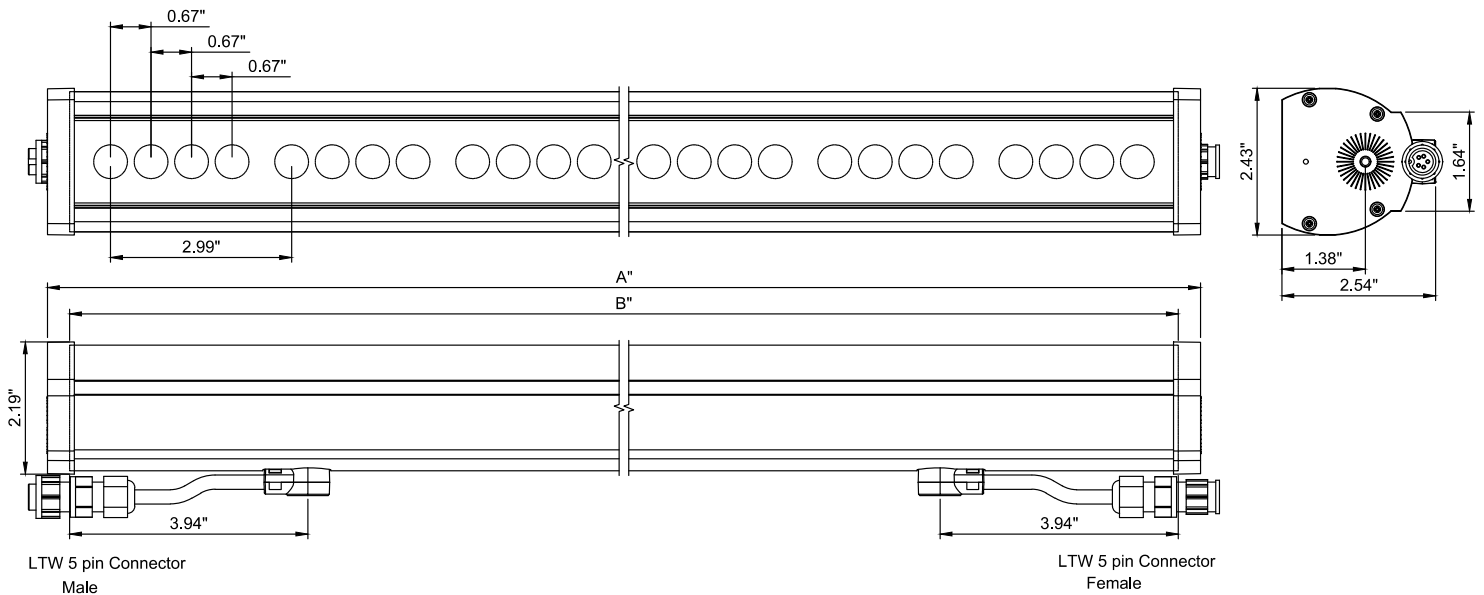
COLOR TEMPERATURES



DIMENSIONS AND DATA

8.8w/ft	Voltage	View Angle	Watts/Fixture	Lumens/Fixture	LEDs/Fixture	Extrusion Length	Total Length
HB40RP-10-XXK-XXD-ACD	100-277VAC	15°, 20°, 30°, 45°, 120° 30°x60°	10w	534	3R, 3G, 3B, 3W	L=237.4mm	L=256mm (10")
HB40RP-19-XXK-XXD-ACD			20w	1015	6R, 6B, 6G, 6W	L=465.4mm	L=484mm (19")
HB40RP-28-XXK-XXD-ACD			30w	1496	9R, 9G, 9B, 9W	L=693.0mm	L=712mm (28")
HB40RP-37-XXK-XXD-ACD			40w	1976	12R, 12G, 12B, 12W	L=921.4mm	L=940mm (37")
HB40RP-46-XXK-XXD-ACD			50w	2457	15R, 15G, 15B, 15W	L=1149.4mm	L=1168mm (46")

PROFILE



ORDER FORM

CREATE YOUR FIXTURE

Ex. HB40RP-37-RGBW65-3060-AC-DM

MODEL	LENGTH	COLOR	OPTICS
HB40RP	13w/ft.	RGBW	15
	10"	27k	15°x15°
	10 inches	2700k	20°x20°
	19"	30k	30°x30°
	19 inches	3000k	45°x45°
	28"	35k	120°x120°
	28 inches	3500k	30°x60°
	37"	41k	
	37 inches	4100k	
	46"	50k	
	46 inches	5000k	
		65k	
		6500k	
		A	
		Amber	

VOLTAGE	CONTROL
AC	DM
100-277vac	Addressable/9"
	DS
	Addressable/fixture

SELECT CONNECTION

Wire Lead

QTY	POWER/SIGNAL	
	AL-HB5P-72"-W/L	72" (6ft) Wire lead 5pin
	AL-HB5P-xx"-W/L	xx" (CU) Wire lead 5pin

JUNCTION BOX

QTY		
	AC5A-DMX-3WB1	Power and CAT5 signal splitter
	AC5A-DMX-3WB2	AC Power amplifier for long run lengths
	AC5A-DMX-3WB3	Power and Wire lead signal splitter

* Used in place of wire leads to separate power and signal

End Cap

QTY		
	AL-HB5P-ENDCAP	End cap for fixture output at end of run

* 1 End cap required at the end of each run

Jumper Cable

QTY	POWER/SIGNAL	
	AL-HB5P-12"-J	12" (1ft) jumper 5pin
	AL-HB5P-72"-J	72" (6ft) jumper 5pin
	AL-HB5P-xx"-J	xx" (CU) jumper 5pin

* Fixtures are end to end connected. Use jumpers if space is needed between fixtures.

**Not to be used with extended arm mounting

MOUNTING BRACKETS

	AL-HB40RP-FLAT BRACKET	Flat bracket
	AL-HB40RP-ADJ BRACKET	Adjustable bracket
	AL-HB40RP-GP BRACKET	Ground post bracket

MOUNTING ARMS

	AL-HB40RP-6"-ARM-xx	6" Mounting arm
	AL-HB40RP-12"-ARM-xx	12" Mounting arm
	AL-HB40RP-18"-ARM-xx	18" Mounting arm

xx = up or down (indicates fixture illumination direction)

* 2 per fixture as a standalone, 1 between each fixture when row-mounted

ADDITIONAL OPTIONS

Powder Coated Finish

QTY		
	BK	Black - Standard finish
Other powder coated finishes available for additional cost		
	BZ	Bronze
	WH	White
	CU	Custom

DMX Controller

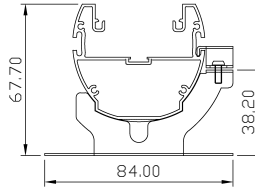
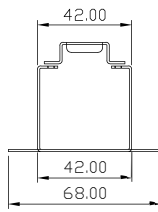
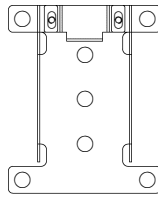
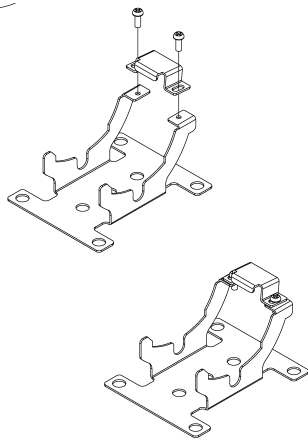
QTY		
	NIC-DMX-STICK-DE3	DMX Controller

Surge Protection

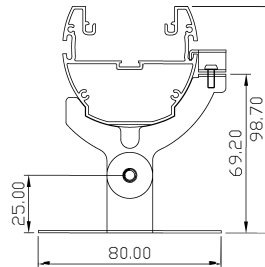
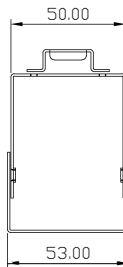
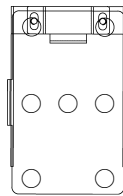
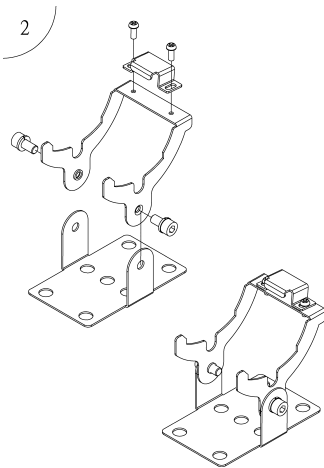
QTY		
	LSP4-UNV	120/277v surge protector

BRACKETS

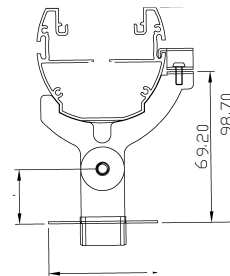
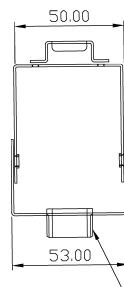
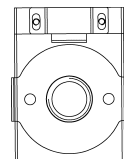
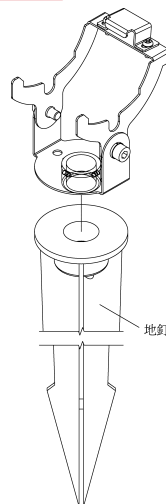
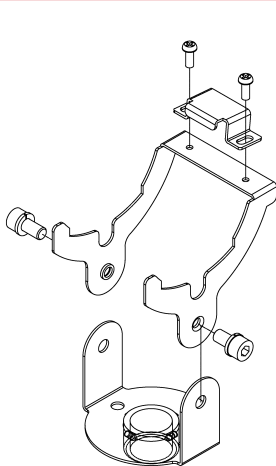
FLAT BRACKETS



ADJUSTABLE BRACKETS



GROUND POST BRACKETS



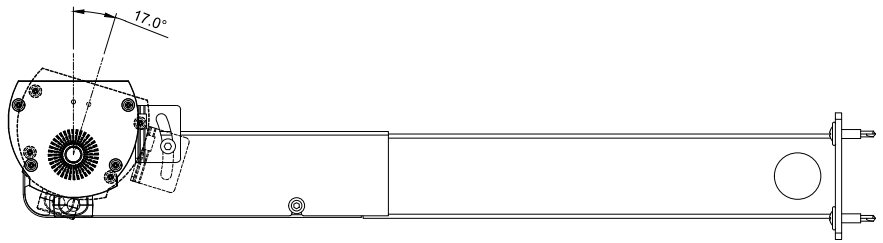
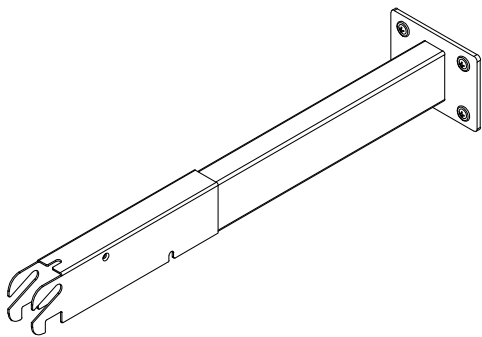
MOUNTING

MOUNTING OPTIONS

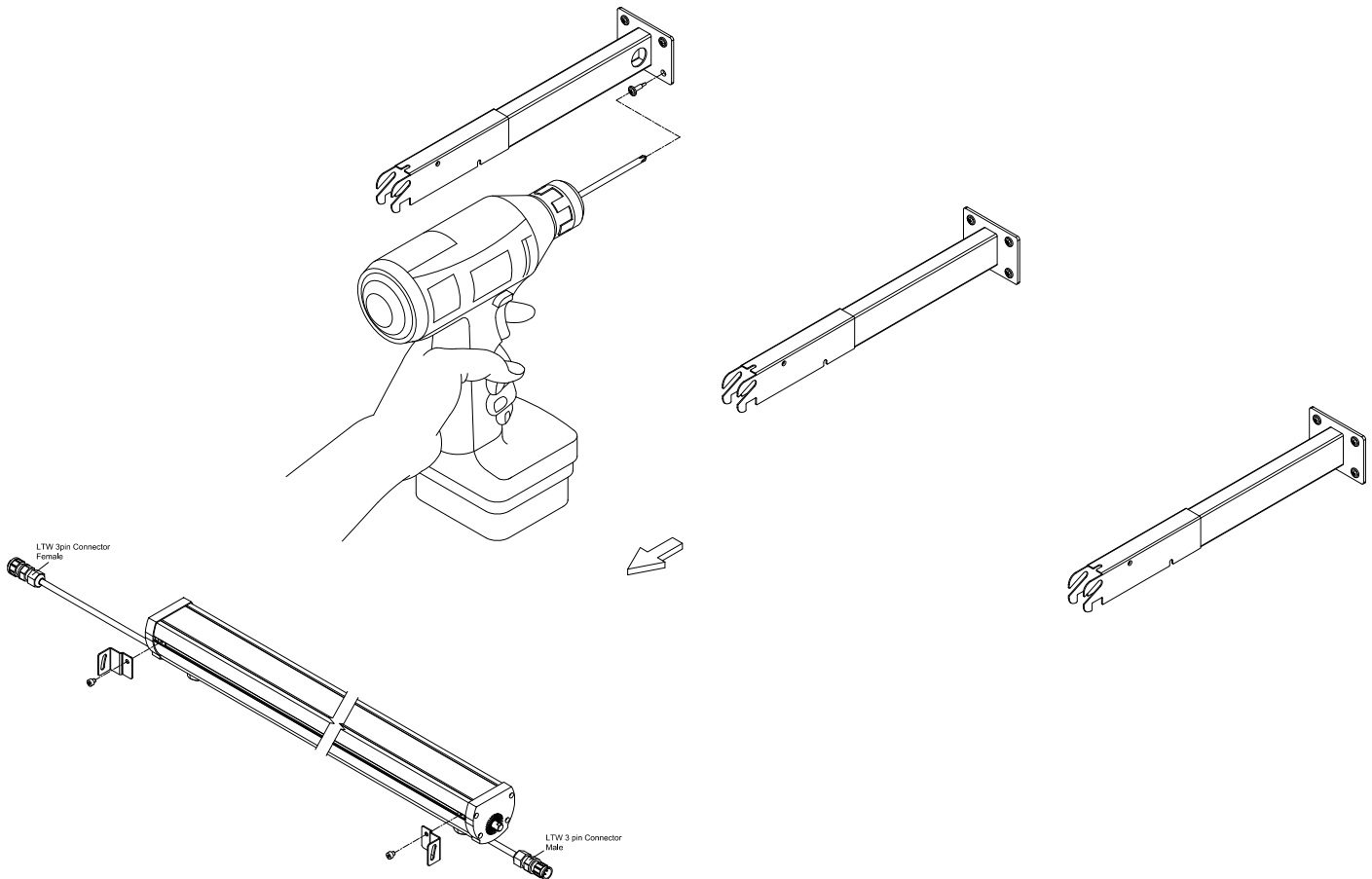
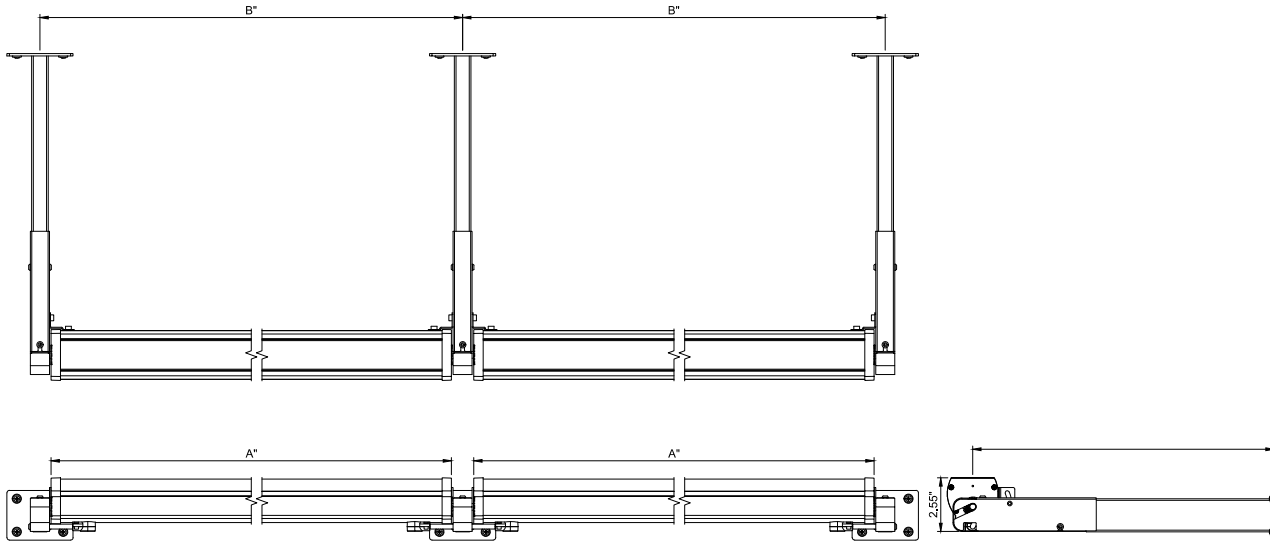
Extended Arms

Fixture can be mounted illuminating up or down with 6", 12" or 18" wall mount arms

QTY	AL-HB40RP-	(ARM LENGTH)	Arm	(Fixture Direction)
		6"		UP
		12"		DN
		18"		



Extended Arms - 6", 12", 18"



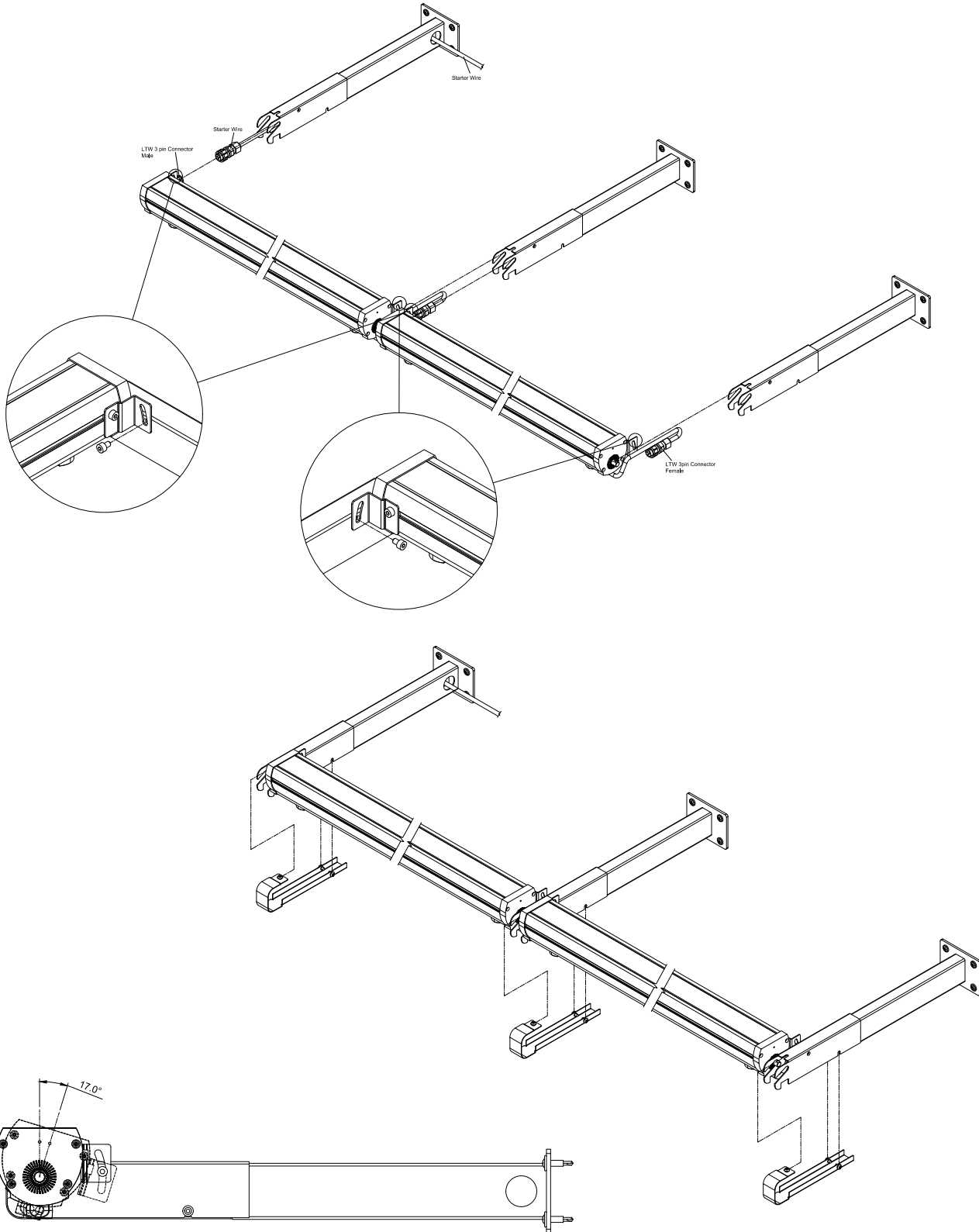
MOUNTING

Date:

Type:

Project:

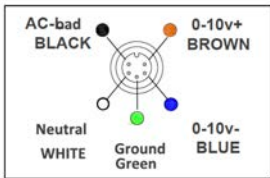
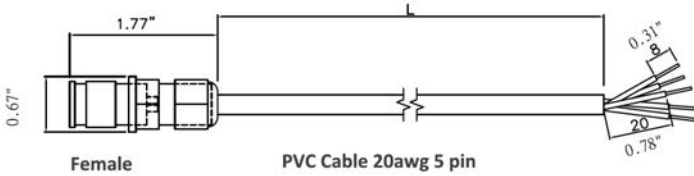
Firm:



WIRING OPTIONS

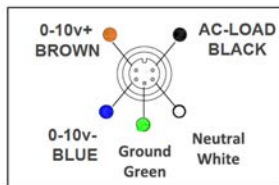
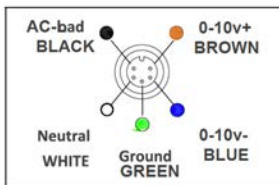
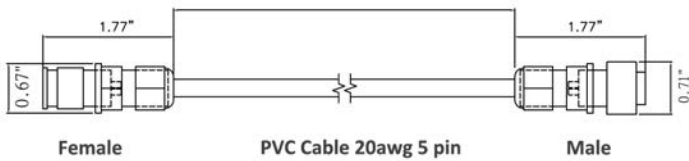
WIRE LEAD

DESCRIPTION	PART NUMBER
5 pin power / signal wire	AL-HB5P-xx"-W/L



JUMPER CABLE

DESCRIPTION	PART NUMBER
5 pin power / signal jumper	AL-HB5P-xx"-J



POWER/SIGNAL

DISTRIBUTION BOXES

Date: _____
 Type: _____
 Project: _____
 Firm: _____

JUNCTION BOX - POWER AND CAT5 SIGNAL SPLITTER

JUNCTION BOX

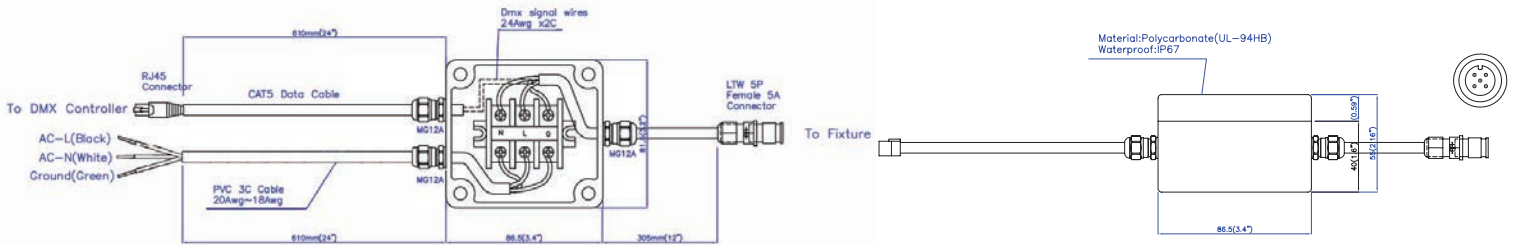
AC5A-DMX-3WB1

INPUT

24" PVC Cat5 Cable for DMX Data 24"
 PVC Cable (3 leads) for AC Power

OUTPUT

12" Cable w 5P Female 5A Connector



JUNCTION BOX-AC POWER AMPLIFIER FOR LONG RUN LENGTHS

JUNCTION BOX

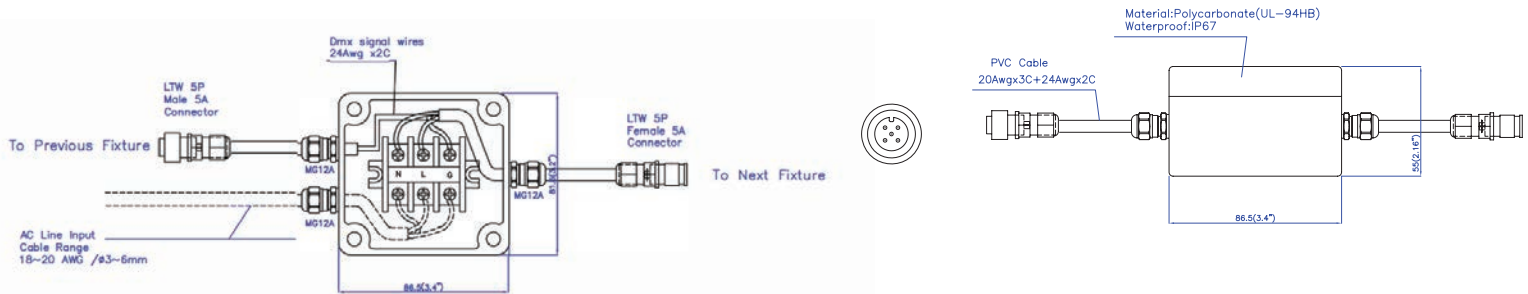
AC5A-DMX-3WB2

INPUT

12" PVC Cable w/ 5P Male 5A Connector

OUTPUT

12" PVC Cable w/ 5P Female 5A Connector



JUNCTION BOX - POWER AND WIRE LEAD SIGNAL SPLITTER

JUNCTION BOX

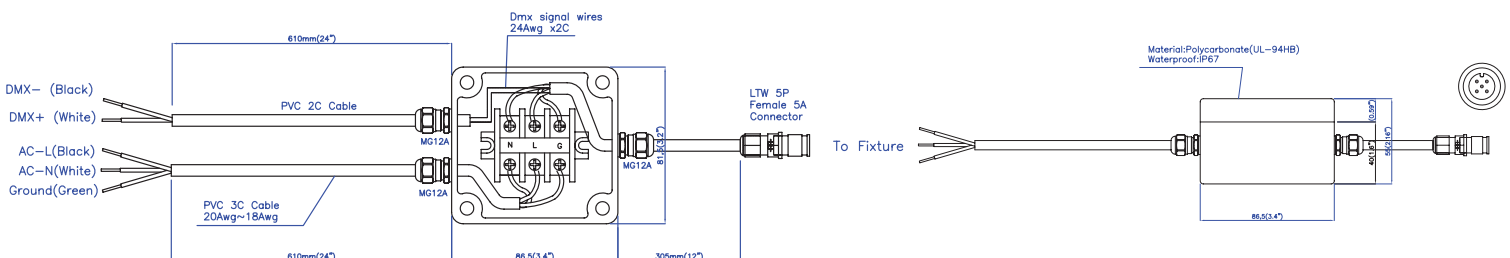
AC5A-DMX-3WB1

INPUT

24" PVC Cable (2 leads) for DMX Data
 24" PVC Cable (3 leads) for AC Power

OUTPUT

12" Cable w 5P Female 5A Connector



SURGE PROTECTION DEVICE

Date:
 Type:
 Project:
 Firm:

SURGE PROTECTION

DESCRIPTION

Surge Protection Device

PART NUMBER

AL-LSP-UNV

The use of a surge protection device is necessary to maintain your warranty. Specifications are subject to change without notice.

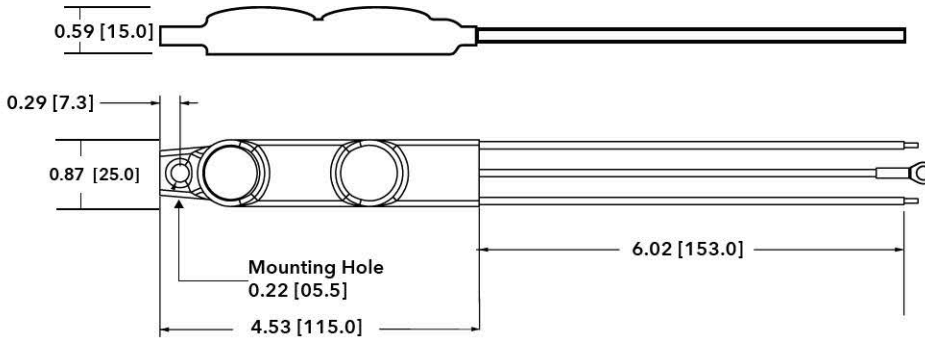
SPECIFICATIONS

Input Voltage	120-277V (+/- 5%)		
Frequency	50Hz-60Hz		
Maximum Continuous Voltage	320V		
Maximum Discharge Current	L-N 20kA; L-G, N-G 10kA (8/20Qs standard wave)		
Nominal Discharge Current	5kA		
Measured Limiting Voltage (VpK)	L-N	L-G	N-G
	1200	1320	1320
Max Case Temperature	85°C		

PULSE RATING (8 X 20 SEC)		
Surge Level	# of Strikes	
	L-N	L-G, N-G
10,000A	*2	1
6,500A	4	2
5,000A	30	15
2,000A	200	100
700A	20000	1000

*1 strike at 20,000A

MECHANICAL DIMENSIONS : IN (MM)



WIRING DIAGRAM

