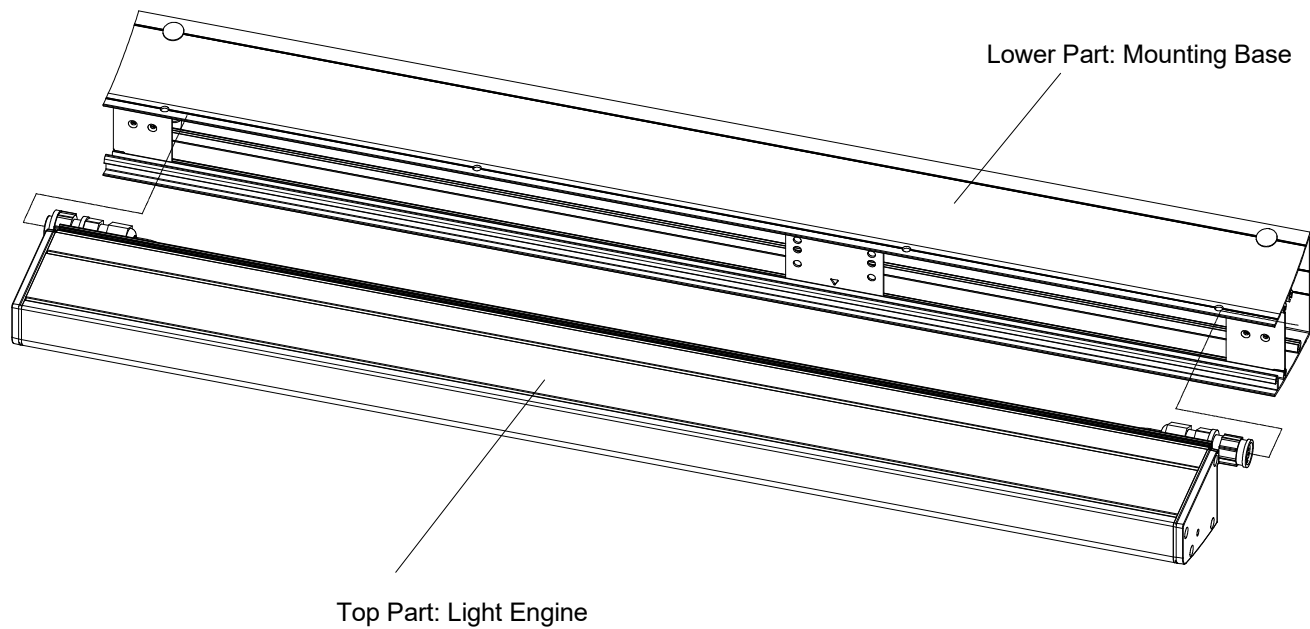
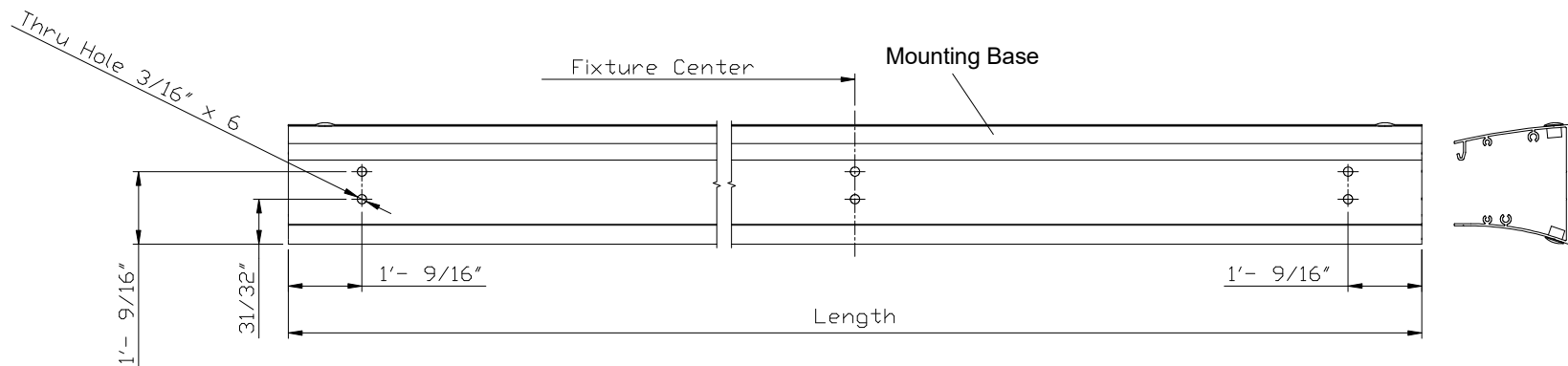
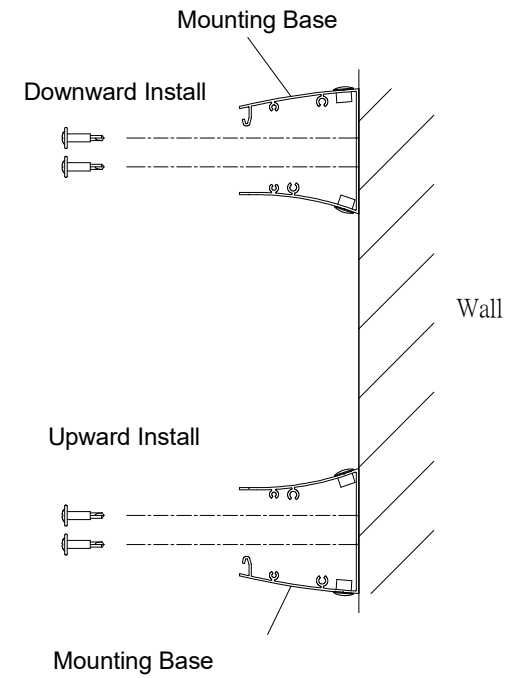
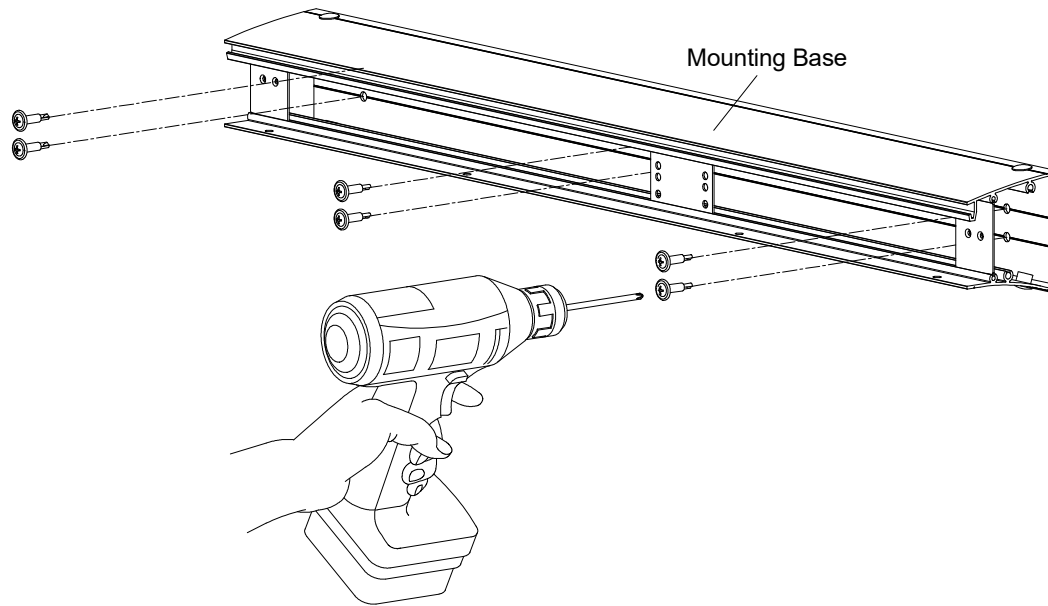


HB40SB INSTALLATION INSTRUCTIONS



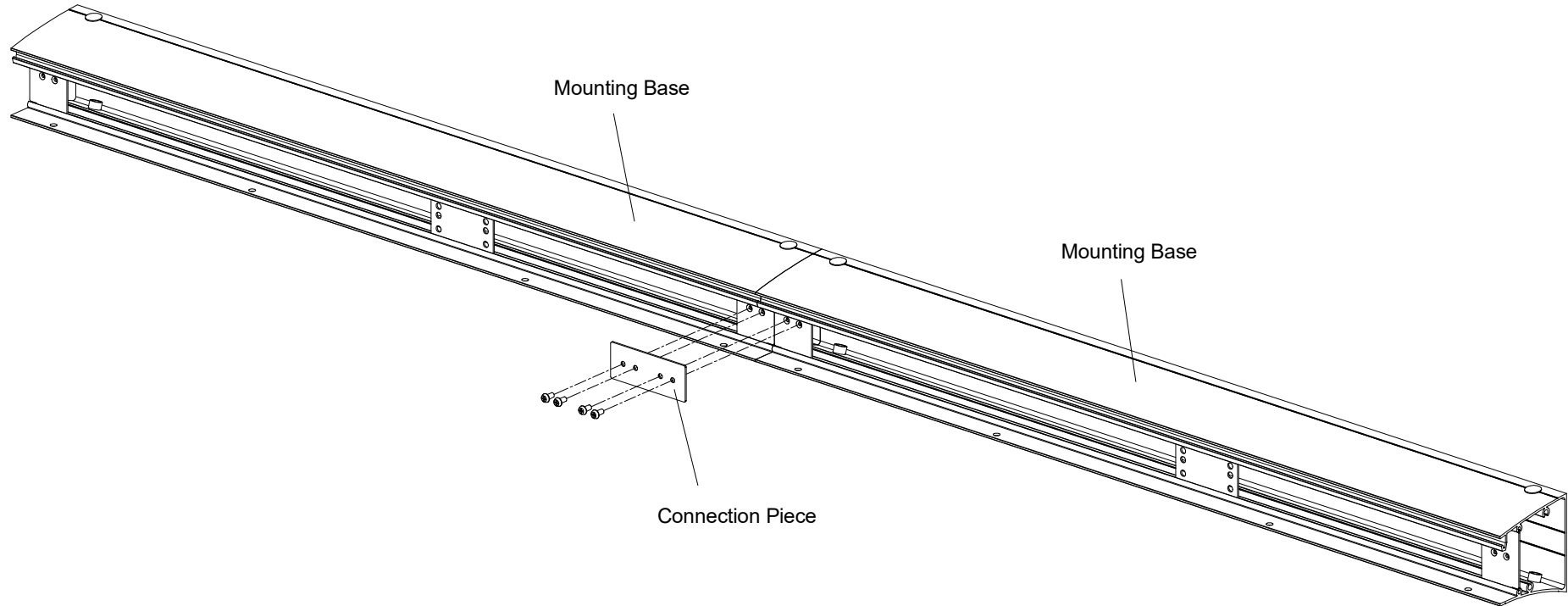
1

Mount the Mounting Base to the wall.



2

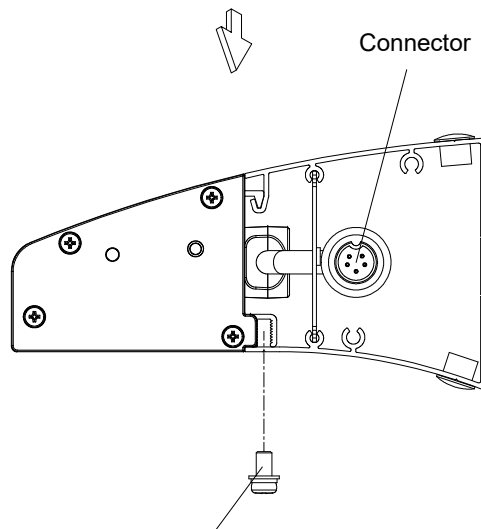
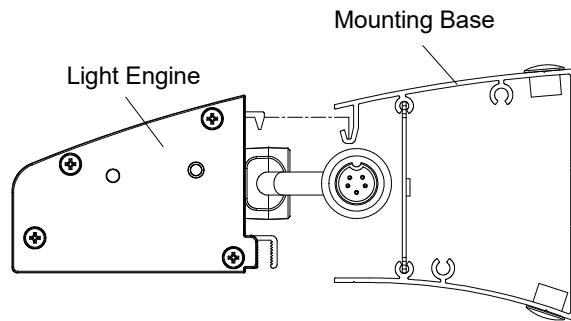
If installing two or more lights butt-to-butt in a line, connect the Mounting Bases together using the Connection Metal Piece.



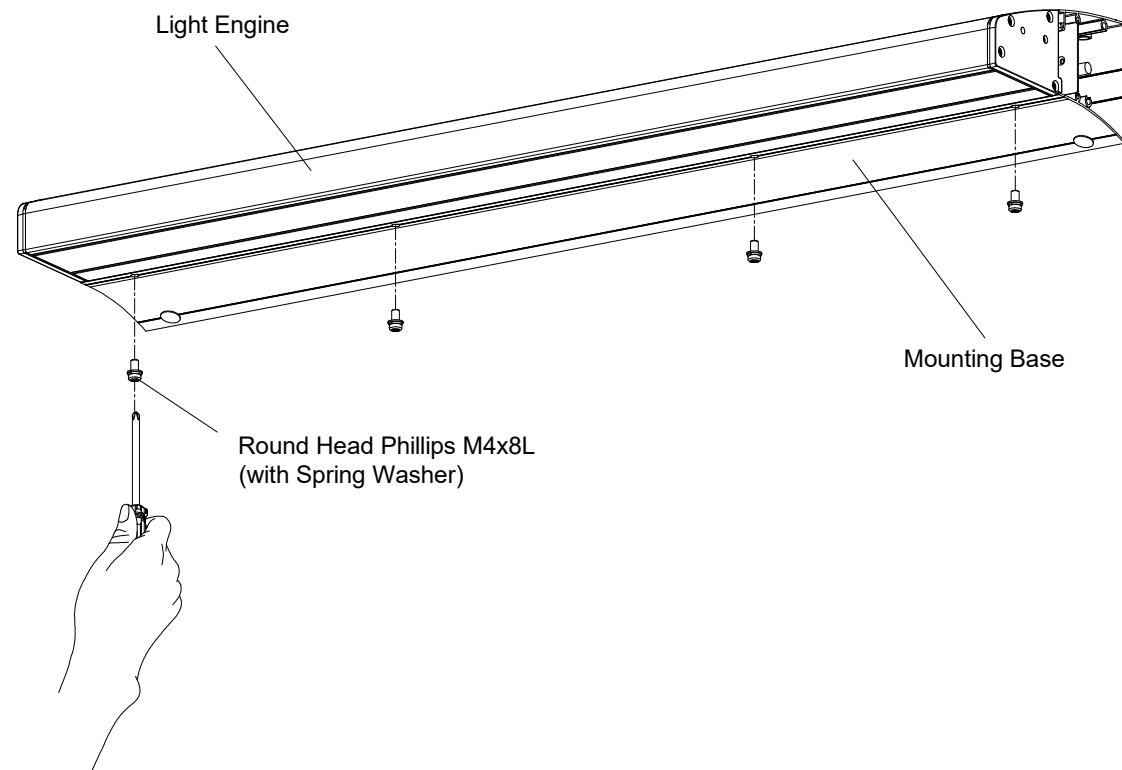
3A

Attach the Light Engine to the Mounting Base and secure it with the screws. Plug the connectors before attaching the next Light Engine. Repeat this step for additional Light Engines.

Downward Install



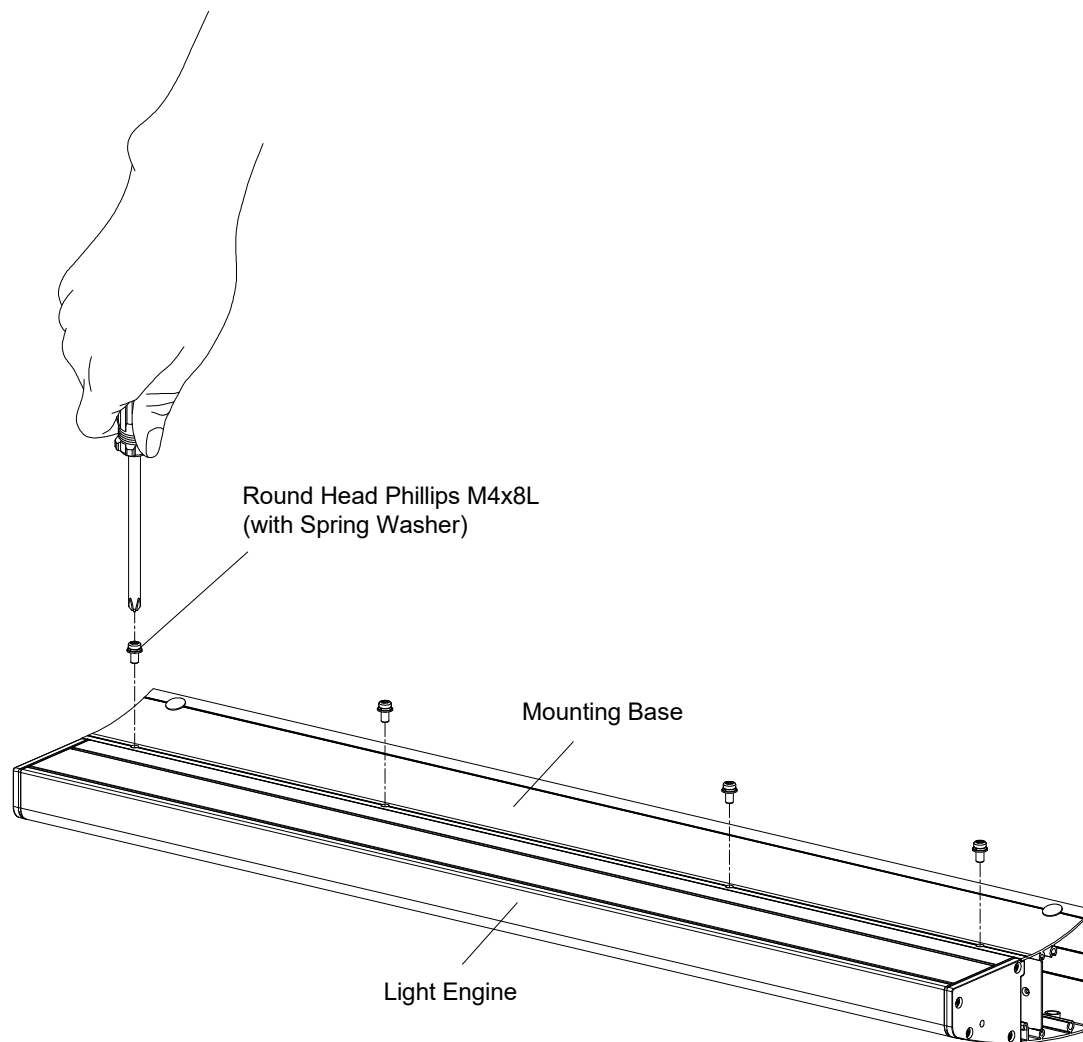
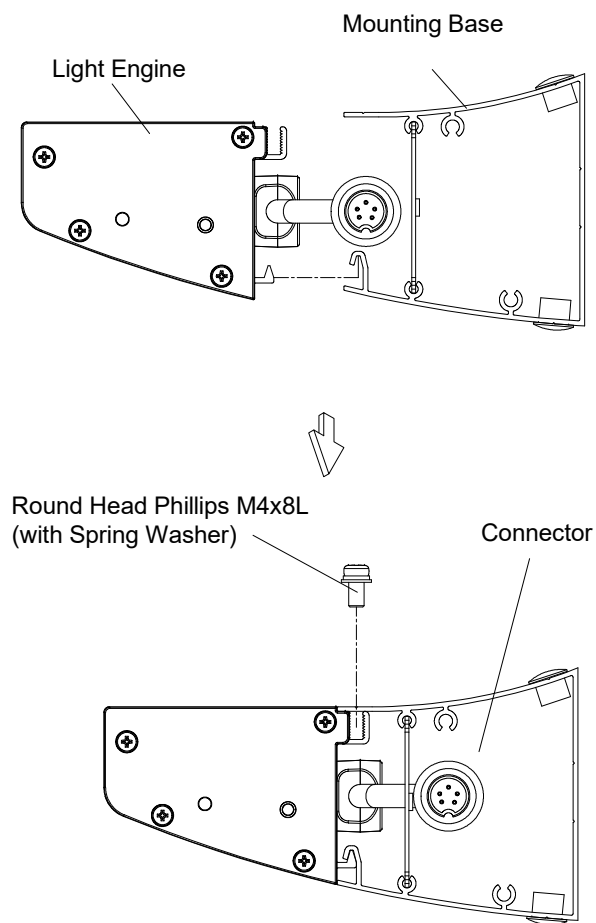
Round Head Phillips M4x8L (with Spring Washer)



3B

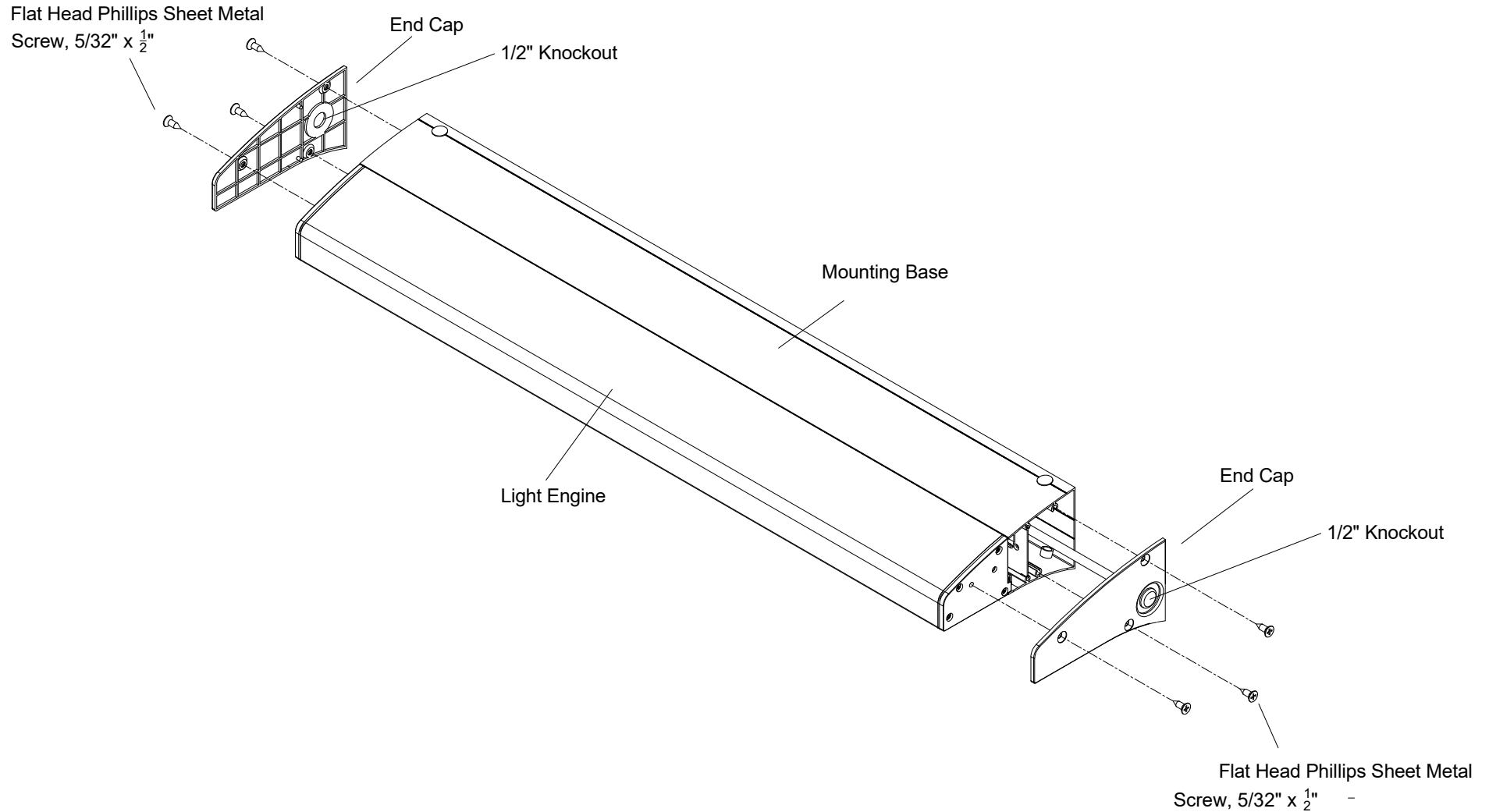
Attach the Light Engine to the Mounting Base and secure it with the screws. Plug the connectors before attaching the next Light Engine. Repeat this step for additional Light Engines.

Upward Install



4

Before attaching the End Caps to both ends, remove the 1/2" knockout on the End Cap. Let the starter wire go into the Mounting Base and connect it to the connector of the Light Engine.



5

Remove Weep Hole Plugs after installation

