



HB40SB RGBW

EXTERIOR LINEAR LED LIGHTBAR

POWERFUL | COMPACT | LOW PROFILE
 6w/ft | 217lm/ft | RGBW | DMX

Grazing | Wall Washing | Cove | General Lighting



Designed for indirect or direct illumination, HB40SB RGBW Series is an economical high-performance, color-changing LED luminaire encased in a compact, low-profile package, engineered to deliver exceptional lighting for grazing, washing, cove, signlighting and general applications. Powered by a universal 100/277VAC driver and available in four adaptable sizes, it offers a spectrum of color temperatures to meet your design requirements. Our selection of Nichia bin-sorted LEDs ensures a bright, uniform output, renowned for its quality among architects and lighting designers. The energy-efficient optical lenses are fine-tuned to maximize luminosity with minimal power usage. Robustly built with a durable black powder coated finish, the fixture is IP66 rated.



The HB40SB RGBW is designed for quick and efficient installation, featuring Plug and Play connectors and self-addressing for easy integration into DMX control systems. It offers extensive customization options, including adjustable length, various optics, multiple mounting choices, and a range of finishes.



SPECIFICATIONS

PERFORMANCE

Output

6w/ft | 217lm/ft

Color Temperatures

RGBW

Beam Angles

15°, 30°, 45°, 120°, 30°x60°

LEDs per Foot

16 (4R, 4G, 4B, 4W)

LED's

Nichia bin-sorted

Color Consistency

2 SCDM

ELECTRICAL

Input Voltage

100-277vac

Power Supply

Integral

Control

DMX

Resolution

Per 6", 12" or per fixture

Heat dissipation

Full thermal management system

Connection

Quick connect plug and play system
(one cable for power and signal)

Projected Lumen Maintenance

>90,000 hours

PHYSICAL

Fixture Length Options

12", 24", 36", 48"

Max Run Length

197ft@277vac, 85ft@120vac

Housing

Anodized extruded aluminum, tooled end caps

Lens

Polycarbonate

Fixture Finish (Standard)

Black powder coated

Powder Coated Finish (Optional)

Bronze, White, CU

Standard Mounting

Stainless adjustable or flat brackets

Optional Mounting

Individual or Row mount

Operating Temperature

-40°F to 122°F, (-40°C to 50°C)

ENVIRONMENT AND WARRANTY

IP Rating

IP66

Environment

Dry, Damp or Wet locations
0-100% non-condensing humidity

Certifications

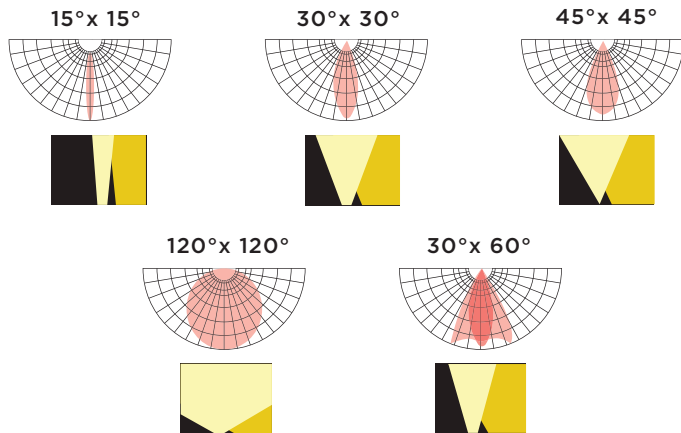
UL, cUL

Warranty

5 year limited warranty

SPECIFICATIONS

OPTICS



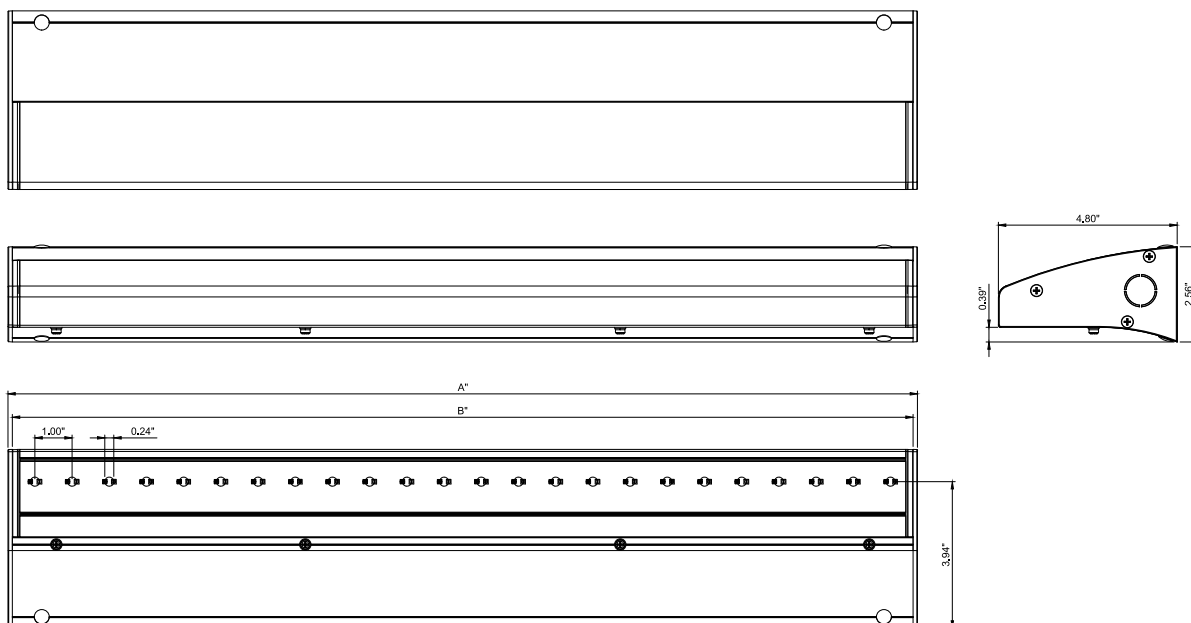
COLOR TEMPERATURES



DIMENSIONS AND DATA

6w/ft	Voltage	View Angle	Watts/ Fixture	Lumens/ Fixture	LEDs/ fixture	Extrusion Length	Total Length
HB40SB-12-RGBW-XXD-AC-DX	100-277VAC	15°, 30°	6w	217	12RGB,12W	L=310mm	L=316mm (12.4")
HB40SB-24-RGBW-XXD-AC-DX		45°, 120°	11.4w	434	24RGB,24W	L=615mm	L=621mm (24.45")
HB40SB-36-RGBW-XXD-AC-DX		30°x60°	16.8w	651	36 RGB, 36W	L=926mm	L=926mm (36.46")
HB40SB-48-RGBW-XXD-AC-DX			22.4w	868	48RGB, 48W	L=1231mm	L=1231mm (48.46")

PROFILE



ORDER FORM

CREATE YOUR FIXTURE

Ex: HB40SB-48-RGBW65-30-AC-DM

MODEL	LENGTH	COLOR	OPTICS
HB40SB	12" 24" 36" 48"	RGBW Select the W - 65k is standard	15° 30° 45° 120° 3060
6w/ft	12 inches 24 inches 36 inches 48 inches	27k 30k 35k 41k 50k 65k A	2700k 3000k 3500k 4100k 5000k 6500k Amber
15° 30° 45° 120° 3060	15°x15° 30°x30° 45°x45° 120°x120° 30°x60°		
VOLTAGE	CONTROL		
AC	DM DM6 DS	Addressable/12" Addressable/6" Addressable/fixture	
100-277vac			

SELECT CONNECTION

Wire Lead

QTY	POWER/SIGNAL	
	AL-HB5P-72"-W/L	72" (6ft) Wire lead 5pin
	AL-HB5P-xx"-W/L	xx" (CU) Wire lead 5pin

* 1 wire lead required for each run.

End Cap

QTY		
	AL-HB3P-ENDCAP	End cap for fixture output at end of run

* 1 End cap required at the end of each

Jumper Cable

QTY	POWER/SIGNAL	
	AL-HB5P-12"-J	12" (1ft) jumper 5pin
	AL-HB5P-72"-J	72" (6ft) jumper 5pin
	AL-HB5P-xx"-J	xx" (CU) jumper 5pin

* Fixtures are end to end connected. Use jumpers if space is needed between fixtures.

ADDITIONAL OPTIONS

Powder Coated Finish

QTY		
	BK	Black
	BZ	Bronze
	WH	White
	CU	Custom

Powder coated finishes below available for additional cost

* Fixture housing is black standard

DMX Controller

QTY		
	NIC-DMX-STICK-DE3	DMX Controller

Surge Protection

QTY		
	LSP4-UNV	120/277v surge protector

Junction Boxes

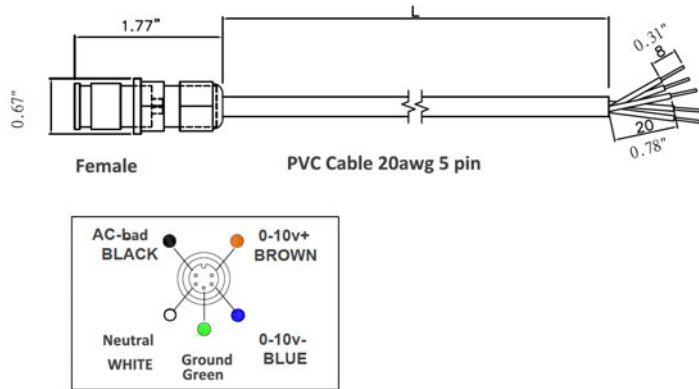
QTY		
	AC5A-DMX-3WB1	Power and CAT5 signal splitter
	AC5A-DMX-3WB2	AC Power amplifier for long run lengths
	AC5A-DMX-3WB3	Power and Wire lead signal splitter

* Used in place of wire leads to separate power and signal

WIRING OPTIONS

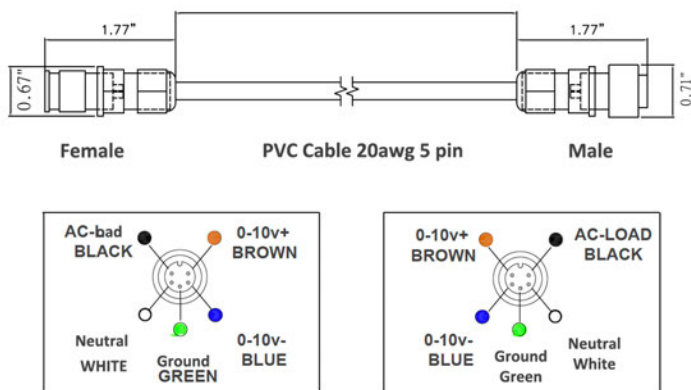
WIRE LEAD

DESCRIPTION | **PART NUMBER**
 5 pin power / signal wire | AL-HB5P-xx"-W/L



JUMPER CABLE

DESCRIPTION | **PART NUMBER**
 5 pin power / signal jumper | AL-HB5P-xx"-W/L



JUNCTION BOX - POWER AND CAT5 SIGNAL SPLITTER

JUNCTION BOX

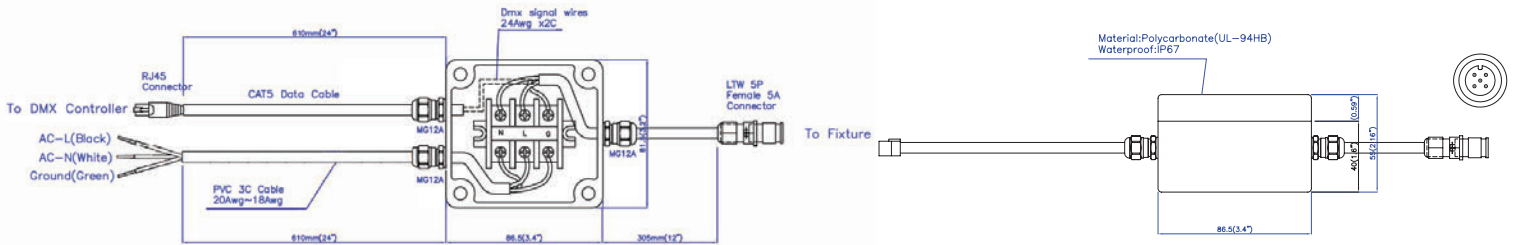
AC5A-DMX-3WB1

INPUT

24" PVC Cat5 Cable for DMX Data 24"
PVC Cable (3 leads) for AC Power

OUTPUT

12" Cable w 5P Female 5A Connector



JUNCTION BOX-AC POWER AMPLIFIER FOR LONG RUN LENGTHS

JUNCTION BOX

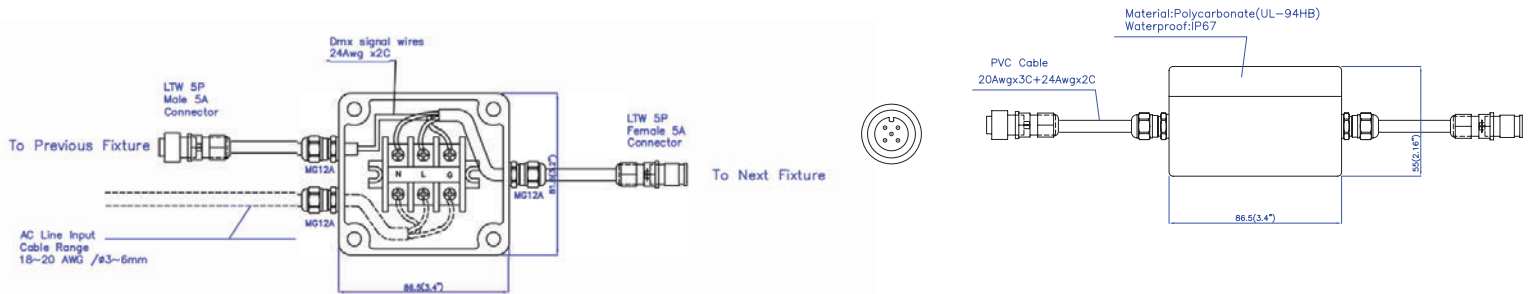
AC5A-DMX-3WB2

INPUT

12" PVC Cable w/ 5P Male 5A Connector

OUTPUT

12" PVC Cable w/ 5P Female 5A Connector



JUNCTION BOX - POWER AND WIRE LEAD SIGNAL SPLITTER

JUNCTION BOX

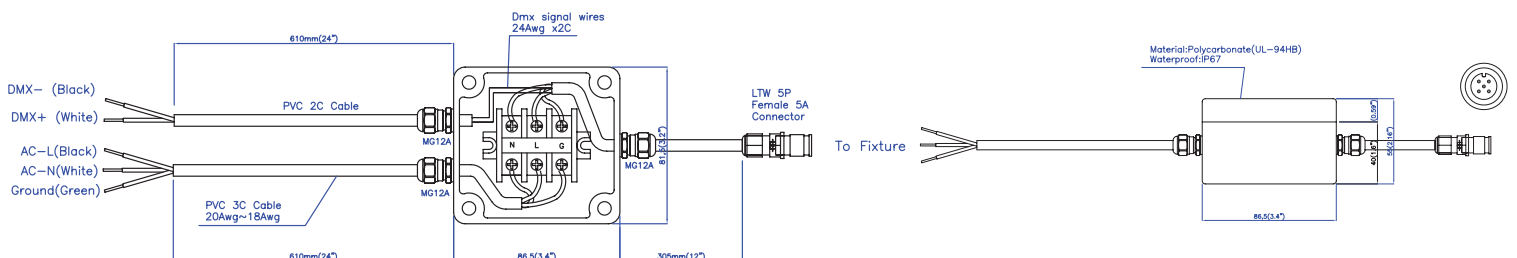
AC5A-DMX-3WB1

INPUT

24" PVC Cable (2 leads) for DMX Data
24" PVC Cable (3 leads) for AC Power

OUTPUT

12" Cable w 5P Female 5A Connector



SURGE PROTECTION DEVICE

SURGE PROTECTION

DESCRIPTION

Surge Protection Device

PART NUMBER

AL-LSP-UNV

The use of a surge protection device is necessary to maintain your warranty. Specifications are subject to change without notice.

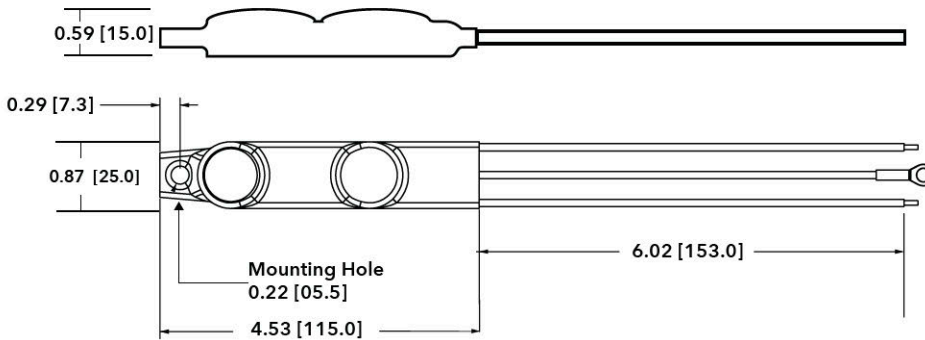
SPECIFICATIONS

Input Voltage	120-277V (+/- 5%)		
Frequency	50Hz-60Hz		
Maximum Continuous Voltage	320V		
Maximum Discharge Current	L-N 20kA; L-G, N-G 10kA (8/20Qs standard wave)		
Nominal Discharge Current	5kA		
Measured Limiting Voltage (VpK)	L-N	L-G	N-G
	1200	1320	1320
Max Case Temperature	85°C		

PULSE RATING (8 X 20 SEC)		
Surge Level	# of Strikes	
	L-N	L-G, N-G
10,000A	*2	1
6,500A	4	2
5,000A	30	15
2,000A	200	100
700A	20000	1000

*1 strike at 20,000A

MECHANICAL DIMENSIONS : IN (MM)



WIRING DIAGRAM

