



# HB40SB

## EXTERIOR OR INTERIOR LINEAR

POWERFUL | COMPACT | LOW PROFILE  
 7.0w/ft | 700lm/ft

Wall Wash | Ceiling Wash | Sign Lighting



Designed for indirect or direct illumination — high-performance lighting in a compact form able to support run lengths of up to 150 feet and illumination heights over 15 feet. These linear fixtures come in a durable black powder coated finish and are ingeniously designed to for individual or seamless row mounting, providing uniform, high-quality light courtesy of Nichia bin-sorted LEDs.



The series boasts an extensive range of customizable features, from length to color temperature and optical lenses, all available in various mounting options and finishes. An integrated universal power supply, coupled with full thermal management and a plug and play cable system, ensures installation is straightforward and efficient. Ideal for precise grazing and impactful wall-washing in an up or down direction, this series adapts to your lighting needs without compromise.



**SPECIFICATIONS**

**PERFORMANCE**

**Output**

7.0w/ft | 700lm/ft

**Color Temperatures**

22k, 27k, 30k, 35k, 41k, 50k, 65k, R, G, B, A

**Beam Angles**

15°, 30°, 45°, 120°, 30°x60°

**LEDs per Foot**

14

**LED's**

Nichia bin-sorted

**Color Consistency**

2 SCDM

**CRI**

85 std, 95 optional

**ELECTRICAL**

**Input Voltage**

100-277vac

**Power Supply**

Integral

**Control**

0-10v dimming

**Heat dissipation**

Full thermal management system

**Connection**

Quick connect plug and play system

**Projected Lumen Maintenance**

>90,000 hours

**PHYSICAL**

**Fixture Length Options**

12", 24", 36", 48"

**Max Run Length**

7w - 150ft@277vac, 65ft@120vac

**Housing**

Anodized extruded aluminum, tooled end caps

**Lens**

Polycarbonate

**Fixture Finish (Standard)**

Black powder coated

**Powder Coated Finish (Optional)**

Bronze, White, CU

**Standard Mounting**

Individual or Row mount

**Operating Temperature**

-40°F to 122°F, (-40°C to 50°C)

**ENVIRONMENT AND WARRANTY**

**IP Rating**

IP66

**Environment**

Dry, Damp or Wet locations

0-100% non condensing humidity

**Certifications**

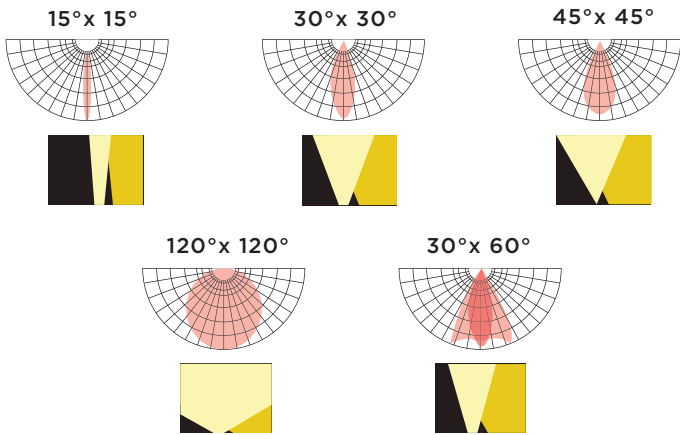
UL, cUL

**Warranty**

5 year limited warranty

## SPECIFICATIONS

### OPTICS



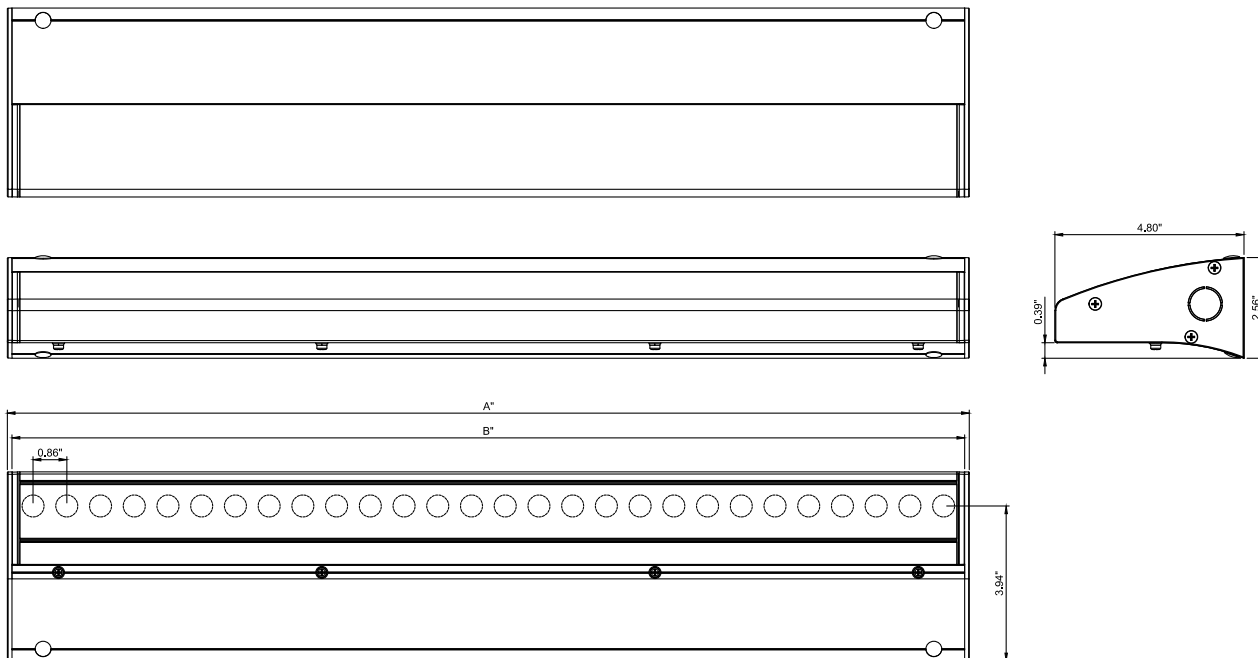
### COLOR TEMPERATURES



### DIMENSIONS AND DATA

7w/ft	Voltage	View Angle	Watts/ Fixture	Lumens/ Fixture	LEDs/ Fixture	Extrusion Length	Total Length
HB40SP-12-XXK-XXD-ACD	100-277VAC	15°, 30°, 45°, 120°, 30°x60°	7w	700	14	L=310mm	L=316mm (12.44")
HB40SB-24-XXK-XXD-ACD			14w	1400	28	L=615mm	L=621mm (24.45")
HB40SB-36-XXK-XXD-ACD			21w	2100	42	L=920mm	L=926mm (36.46")
HB40SB-48-XXK-XXD-ACD			28w	2800	56	L=1225mm	L=1231mm (48.46")

### PROFILE



## ORDER FORM

### CREATE YOUR FIXTURE

Ex. HB40SB-48-30K-45-ACD

MODEL	LENGTH	COLOR	OPTICS
HB40SB	12" 12 inches 24" 24 inches 36" 36 inches 48" 48 inches	22k 2200k R Red 27k 2700k G Green 30k 3000k B Blue 35k 3500k 41k 4100k 50k 5000k 65k 6500k	15 15°x15° 30 30°x30° 45 45°x45° 120 120°x120° 3060 30°x60°
VOLTAGE	CONTROL	POWER	
AC 100-277vac	D 0-10v Dimming ND Non Dimming	7w/ft 7.0w/ft	

### SELECT CONNECTION

#### Wire Lead

QTY	<b>POWER/SIGNAL</b>	
	AL-HB5P-72"-W/L	72" (6ft) Wire lead 5pin
	AL-HB5P-xx"-W/L	xx" (CU) Wire lead 5pin
QTY	<b>POWER</b>	
	AL-HB3P-72"-W/L	72" (6ft) Wire lead 3pin
	AL-HB3P-xx"-W/L	xx" (CU) Wire lead 3pin

\* 1 wire lead required for each run.

#### End Cap

QTY	AL-HB3P-ENDCAP	End cap for fixture output at end of run
-----	----------------	--

\* 1 End cap required at the end of each run

#### Jumper Cable

QTY	<b>POWER/SIGNAL</b>	
	AL-HB5P-12"-J	12" (1ft) jumper 5pin
	AL-HB5P-72"-J	72" (6ft) jumper 5pin
	AL-HB5P-xx"-J	xx" (CU) jumper 5pin
QTY	<b>POWER</b>	
	AL-HB3P-12"-J	12" (1ft) jumper 3pin
	AL-HB3P-72"-J	72" (6ft) jumper 3pin
	AL-HB3P-xx"-J	xx" (CU) jumper 3pin

\* Fixtures are end to end connected. Use jumpers if space is needed between fixtures.

### Powder Coated Finish

QTY	<b>Standard</b>	
	BK	Black
	<b>Powder coated finishes available for additional cost</b>	
	BZ	Bronze
	WH	White
	CU	Custom

#### 0-10V Dimmer

QTY	LUT-DVSTV-WH	0-10v dimming wall switch
-----	--------------	---------------------------

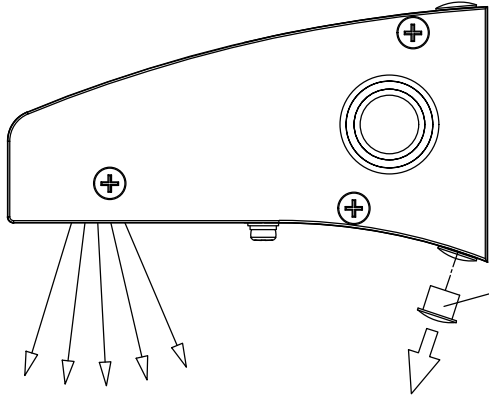
#### Surge Protection

QTY	LSP4-UNV	120/277v surge protector
-----	----------	--------------------------

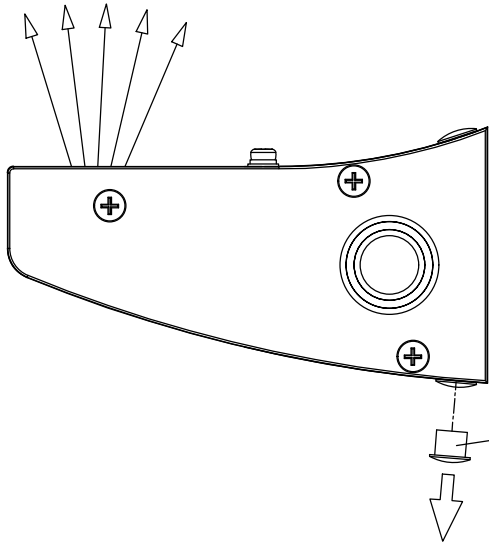


## ORDER FORM

### MOUNTING OPTIONS

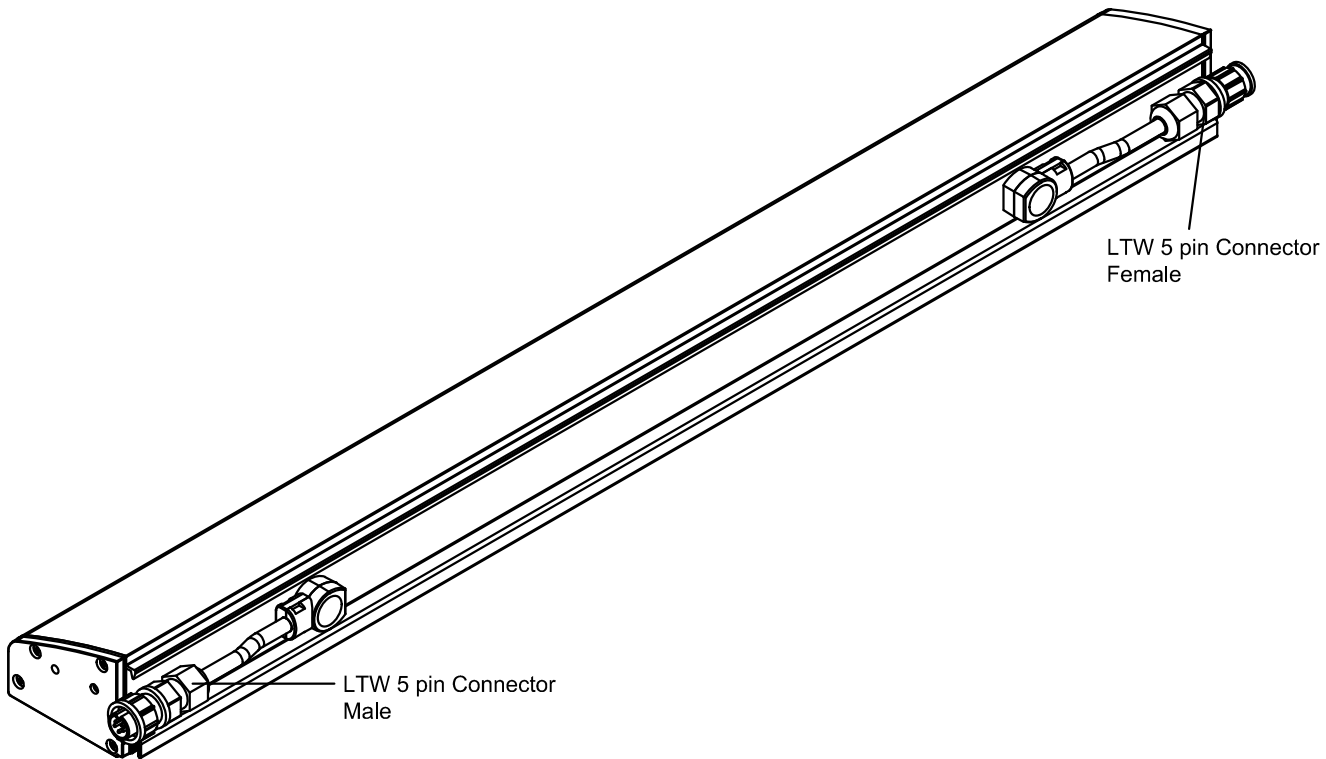
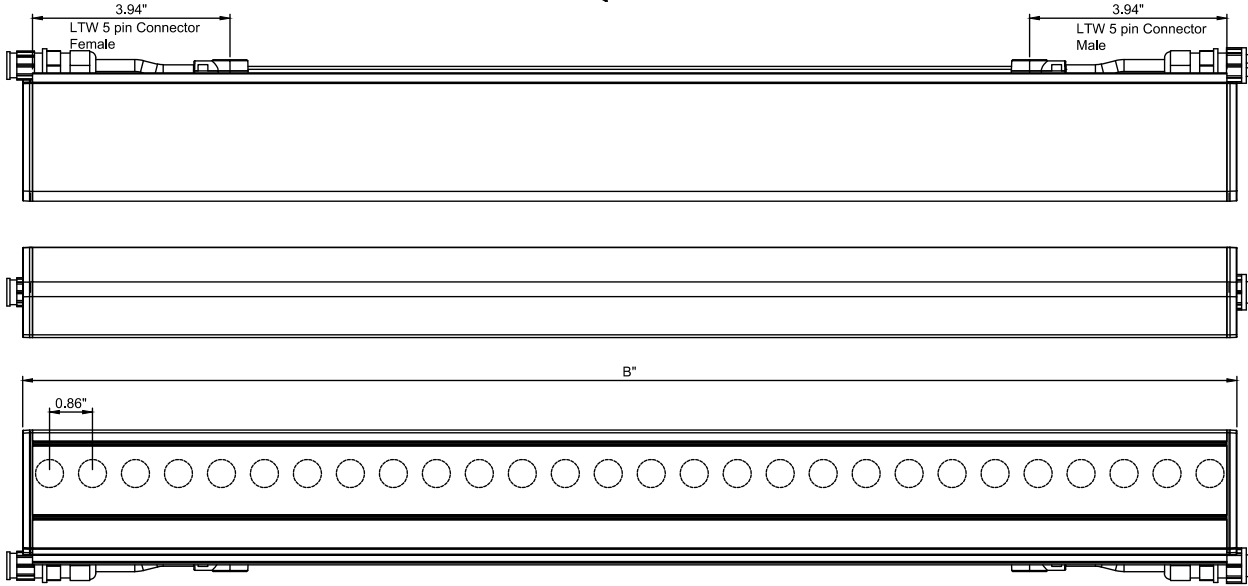


Remove weep holes during installation



Remove weep holes during installation

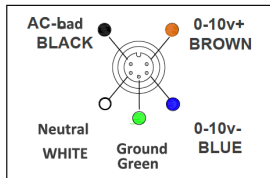
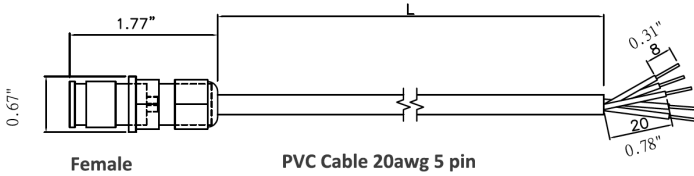
### PROFILE



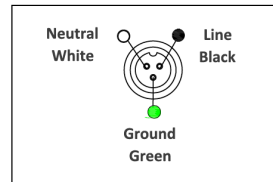
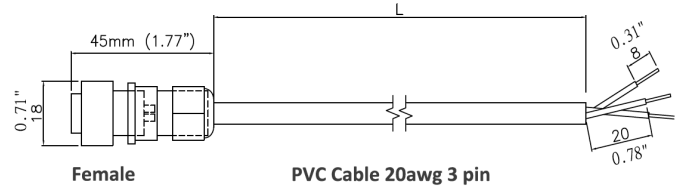
## WIRING OPTIONS

### WIRE LEAD

**DESCRIPTION** | **PART NUMBER**  
 5 pin power / signal wire | AL-HB5P-xx"-W/L

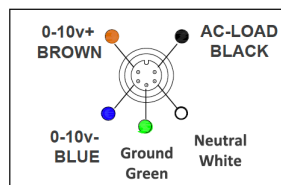
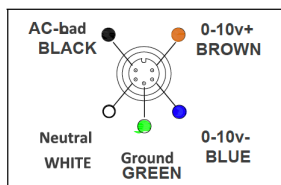
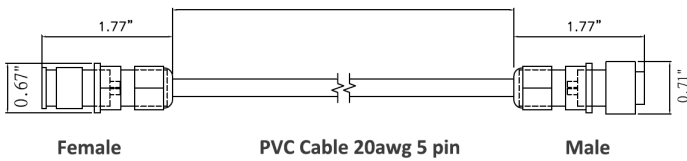


**DESCRIPTION** | **PART NUMBER**  
 3 pin power wire | AL-HB3P-xx"-W/L

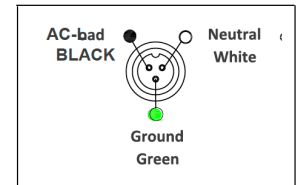
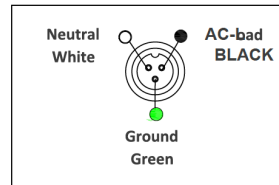
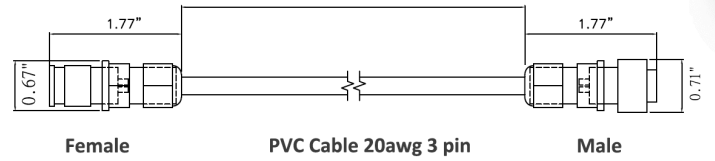


### JUMPER CABLE

**DESCRIPTION** | **PART NUMBER**  
 5 pin power / signal jumper | AL-HB5P-xx"-W/L



**DESCRIPTION** | **PART NUMBER**  
 3 pin power jumper | AL-HB3P-xx"- J



**SURGE PROTECTION DEVICE**

**SURGE PROTECTION**

**DESCRIPTION**

Surge Protection Device

**PART NUMBER**

AL-LSP-UNV

The use of a surge protection device is necessary to maintain your warranty. Specifications are subject to change without notice.

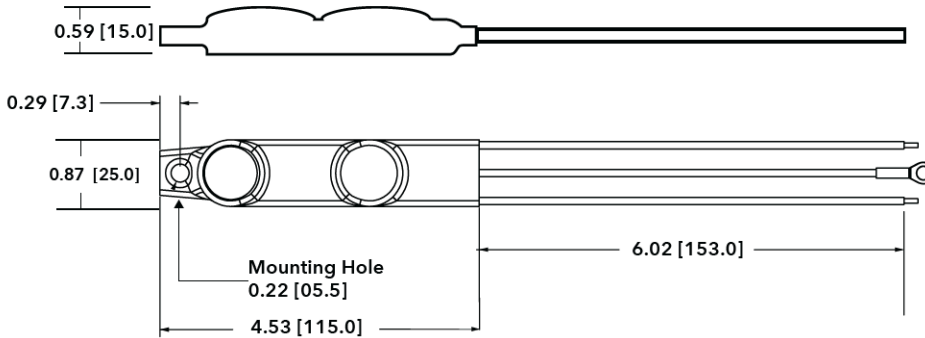
**SPECIFICATIONS**

Input Voltage	120-277V (+/- 5%)		
Frequency	50Hz-60Hz		
Maximum Continuous Voltage	320V		
Maximum Discharge Current	L-N 20kA; L-G, N-G 10kA (8/20Qs standard wave)		
Nominal Discharge Current	5kA		
Measured Limiting Voltage (VpK)	L-N	L-G	N-G
	1200	1320	1320
Max Case Temperature	85°C		

PULSE RATING (8 X 20 SEC)		
Surge Level	# of Strikes	
	L-N	L-G, N-G
10,000A	*2	1
6,500A	4	2
5,000A	30	15
2,000A	200	100
700A	20000	1000

\*1 strike at 20,000A

**MECHANICAL DIMENSIONS : IN (MM)**



**WIRING DIAGRAM**

