

- ✓ Flush-mounted fixture
- ✓ Premium Nichia Bin-sorted LEDs
- ✓ Top quality optical beams
- ✓ Universal Voltage
- ✓ Plug and play connectors
- ✓ Full Saturation to over 45 feet
- ✓ Outdoor Locations
- ✓ 5-Year Warranty



# HB40SP SERIES

## ARCHITECTURAL OUTDOOR LED LINEAR LIGHTING

### HB40SP



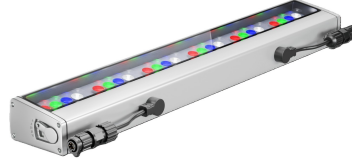
**Performance:** 8.8w/ft | 744lm/ft, 12w/ft | 975lm/ft  
**Beam Angles:** 15°, 20°, 30°, 45°, 60°, 75°, 90°, 120°, 13°x17°, 15°x35°, 18°x26°, 18°x58°, 30°x60°  
**CCT:** Static Colors  
**Control:** 0-10v dimming  
**Fixture lengths:** 10", 19", 28", 37", 46"

### HB40SP RGB



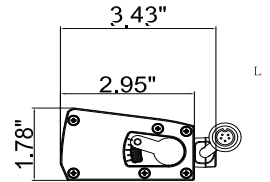
**Performance:** 13w/ft  
**Beam Angles:** 15°, 20°, 30°, 45°, 60°, 75°, 90°, 120°, 18°x26°, 18°x58°, 30°x60°  
**CCT:** RGB  
**Control:** DMX self-addressing per fixture or 9"  
**Fixture lengths:** 10", 19", 28", 37", 46"

### HB40HP RGSW

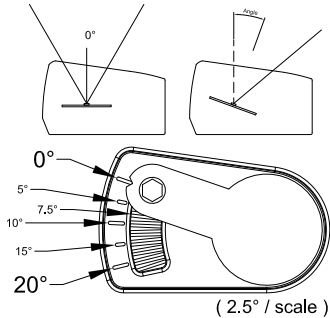


**Performance:** 13w/ft  
**Beam Angles:** 15°, 20°, 30°, 45°, 60°, 75°, 90°, 120°, 18°x26°, 18°x58°, 30°x60°  
**CCT:** RGB  
**Control:** DMX self-addressing per fixture or 9"  
**Fixture lengths:** 10", 19", 28", 37", 46"

### PROFILE



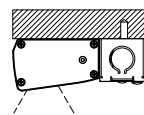
### INTEGRAL ADJUSTBLE OPTICAL BOARD



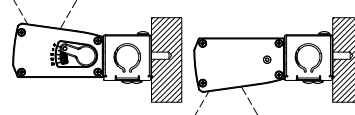
### MOUNTING OPTIONS

- Surface mount, Ceiling, mount, Wall mount or Extended arm options
- Extended Arm lengths: 6", 12", 24"
- Row mounted or stand-alone
- Cover to conceal wires
- Optional Black, Bronze, White & Silver Powder-coated finish  
 –Additional RAL custom colors are available

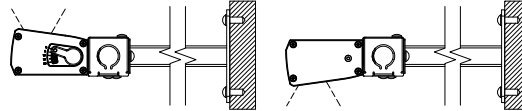
#### 1. CEILING MOUNTED



#### 2. WALL MOUNTED



#### 3. EXTENDED ARM MOUNTED



Black



Bronze



White



Silver

### COLOR TEMPERATURES



### CERTIFICATIONS

