

HB50 Mounting

Extrusions, Extended Arms, Louvers

For use with our HB50 series fixtures for applications between 20 and 100 feet.



APPLICATION

Designed to illuminate signage, facades, monuments and more.

The Extrusion package allows you to easily mount your HB50 fixture in an architectural powder-coated extrusion with your choice of mounting arms or ground post stakes. Standard finishes available. Fixtures are able to be mounted as a stand-alone fixture or in a seamless row. Wires connect from the fixture through the extended arm into the junction box. The wall mounted box has knock outs on all four sides as well as through the back. Row mounted fixtures are wired end to end. The housing angle is adjustable on the extended arms. Louvers are available as an option to reduce glare.

FEATURES

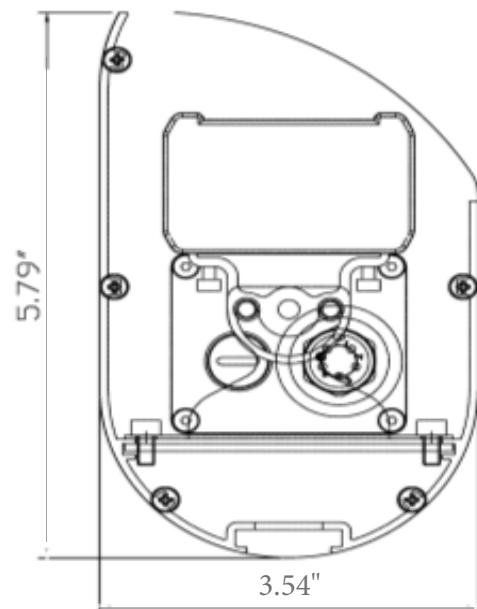
- Extruded aluminum housing with stainless steel hardware
- Black or Bronze Powder-coat finish standard - RAL custom colors available
- Extended arms 6", 12", 18", 24" or 36"
- Ground post mounting
- No visible wires or mounting hardware
- Integrated Glare Shield and optional Louvers
- Stand-alone or Row mounted
- Adjustable housing with calibrated system for precise angle up to 25° +/-
- Mounted direct or indirect, horizontally or vertically

WARRANTY

Our fixtures are backed by a 5-year limited warranty.

PHYSICAL

Housing	Extruded Anodized Aluminum
Fixture Lengths	12", 24", 36", 48"
Housing Colors	Bronze, Black, White, Silver, custom
Connection	Quick connect plug and play
Mounting	Extended arms or ground post
Environment	IP66 Wet, Damp or Dry Locations
Glare Protection	Integrated glare shield - optional louvers



HB50 Mounting

FIXTURE SOLD SEPARATELY

DATE

FIRM

PROJECT

CONTACT

PART NUMBER

MODEL	LENGTH	FINISH	MOUNTING	OPTIONS				
HB50EXT	12	1 foot	BZ	Bronze	6"	6" Arm	L	Louvers
	24	2 foot	BK	Black	12"	12" Arm	N	None
	36	3 foot	WH	White	18"	18" Arm		
	48	4 foot	SI	Silver	24"	24" Arm		
			CU	Custom	36"	36" Arm		
			RAL _____		GPS	Ground Post		

Standard fixture housing is anodized aluminum. Powder coating is available from factory in Black, Bronze, White, or custom. There is a minimum quantity for powder coating or a surcharge will be added.

ACCESSORIES

MOUNTING HARDWARE

AL-HB50 ADJ.BRACKET	HB50 Adjustable Bracket
HBEXT-GPS	Ground post stake

1ft & 2ft extrusions require one ground post stake (HBEXP-GPS). 3ft & 4ft extrusions require two ground post stakes (HBEXP-GPS).

GLARE PROTECTION

HB50-12" LOUVER	12" Louver
HB50-24" LOUVER	24" Louver
HB50-36" LOUVER	36" Louver
HB50-48" LOUVER	48" Louver

Standard louvers are in Black. Special order for Bronze, White, Silver or custom.

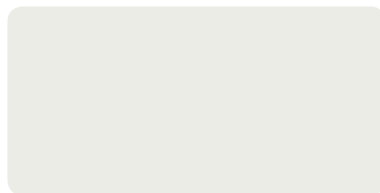
COLOR SELECTION



Bronze



Black



White

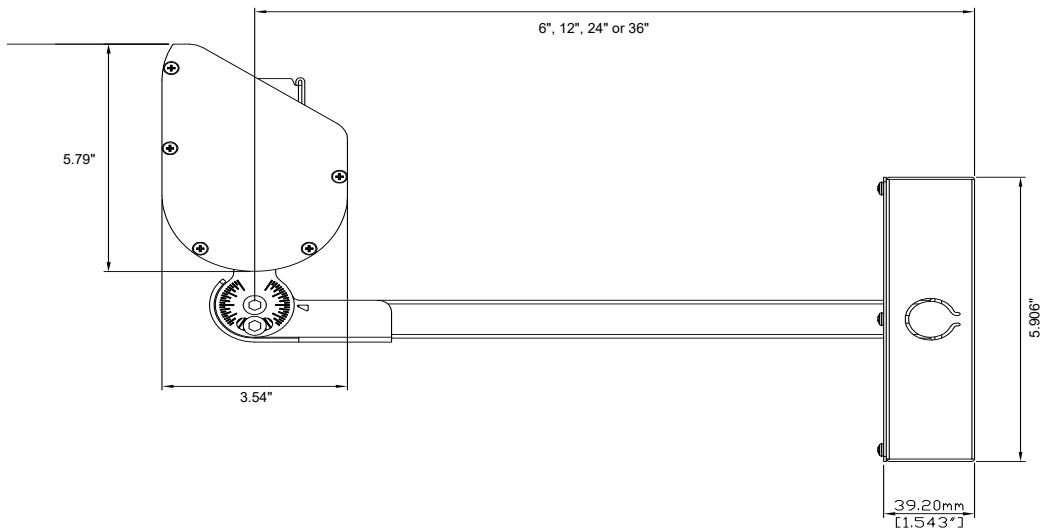
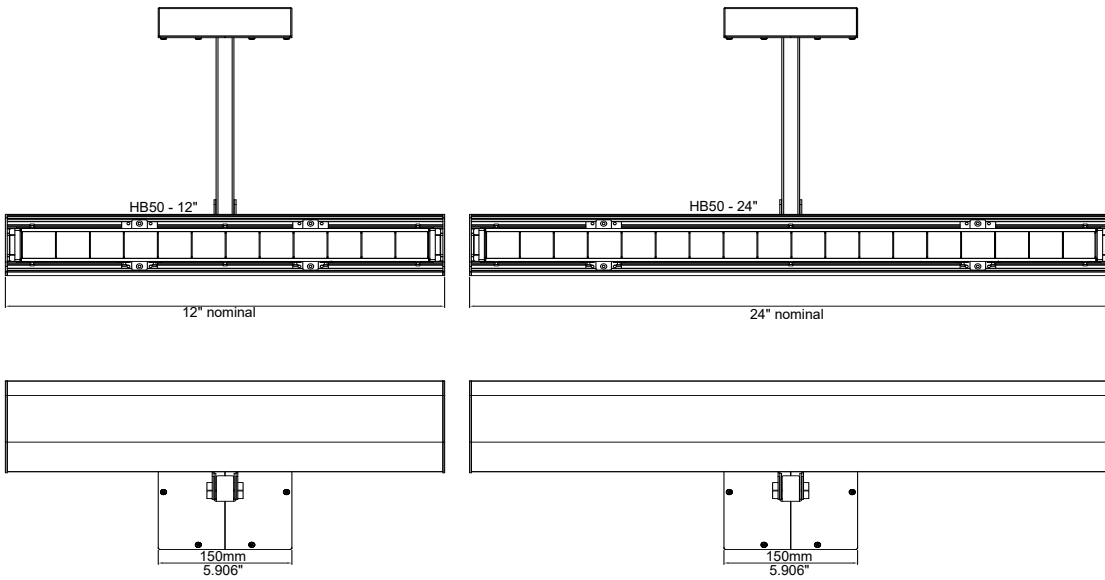
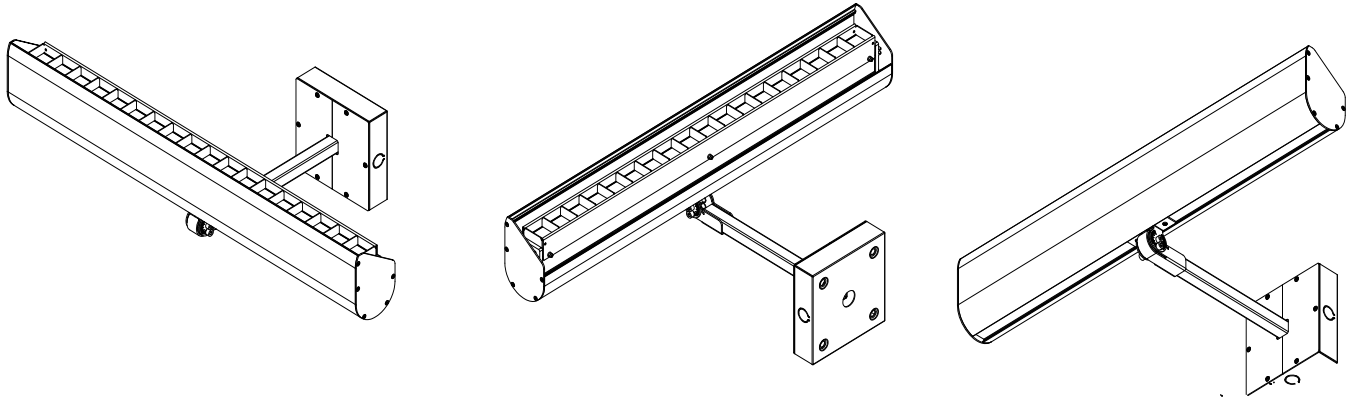


Silver

HB50 Extended Arm Mounting

FIXTURE SOLD SEPARATELY

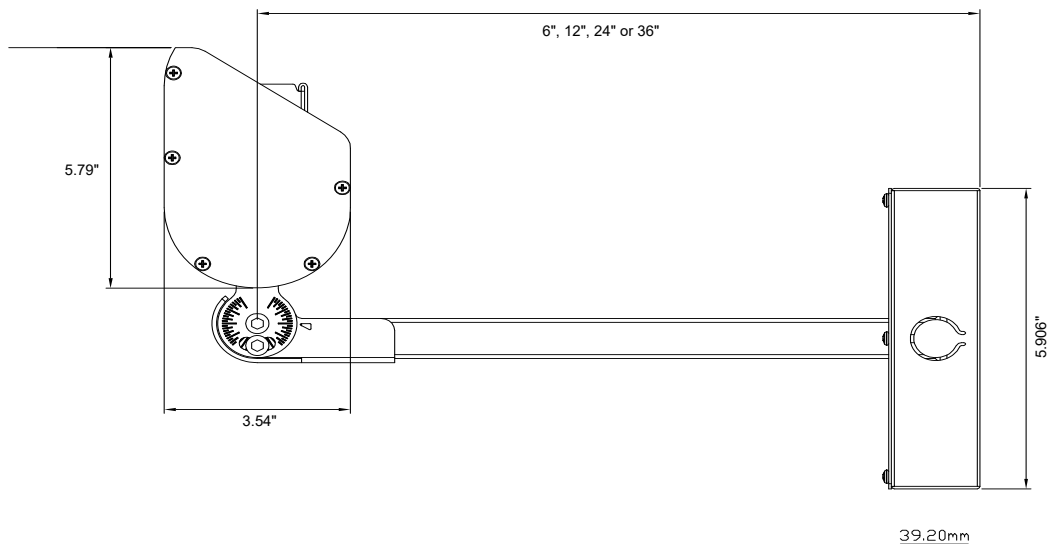
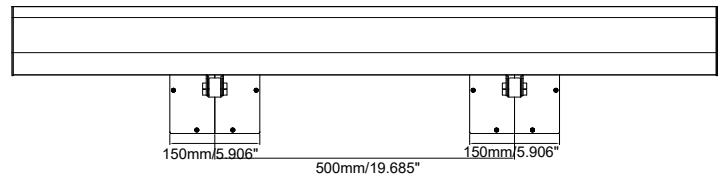
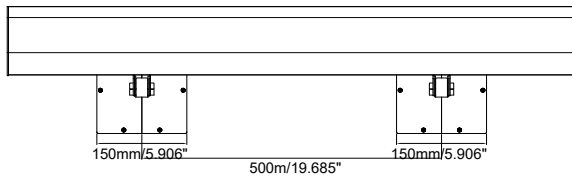
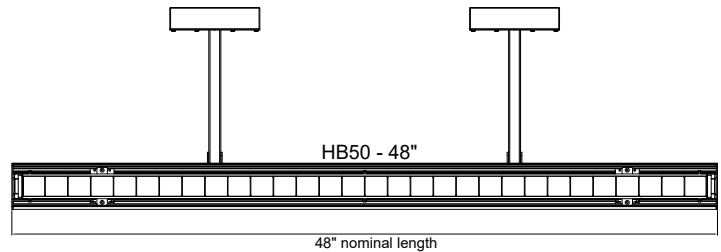
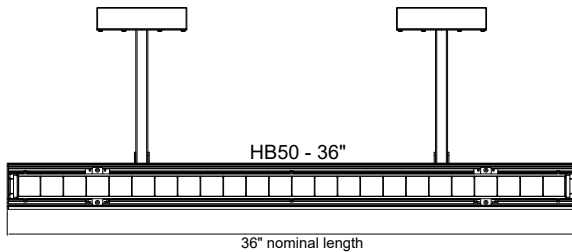
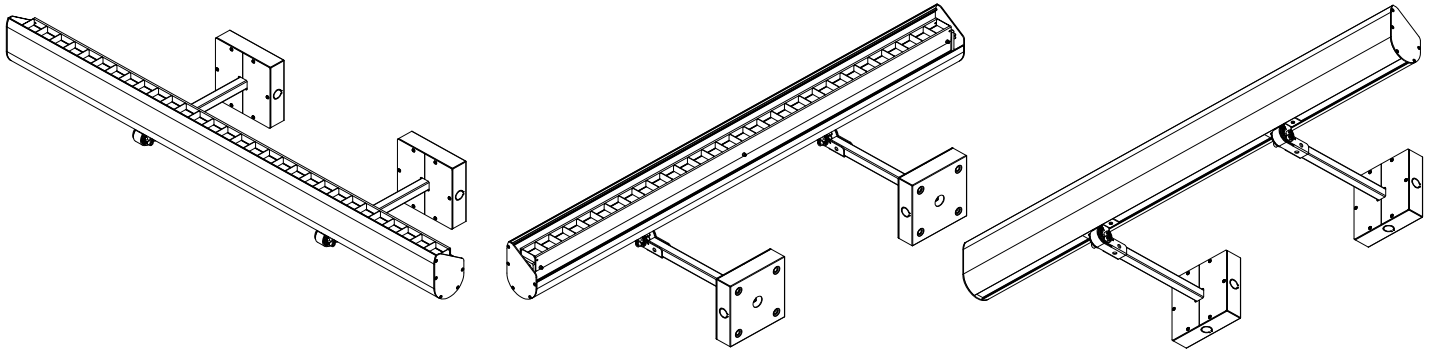
12" AND 24" EXTRUSIONS WITH SINGLE MOUNTING ARMS



HB50 Extended Arm Mounting

FIXTURE SOLD SEPARATELY

36" AND 48" EXTRUSIONS WITH DOUBLE MOUNTING ARMS

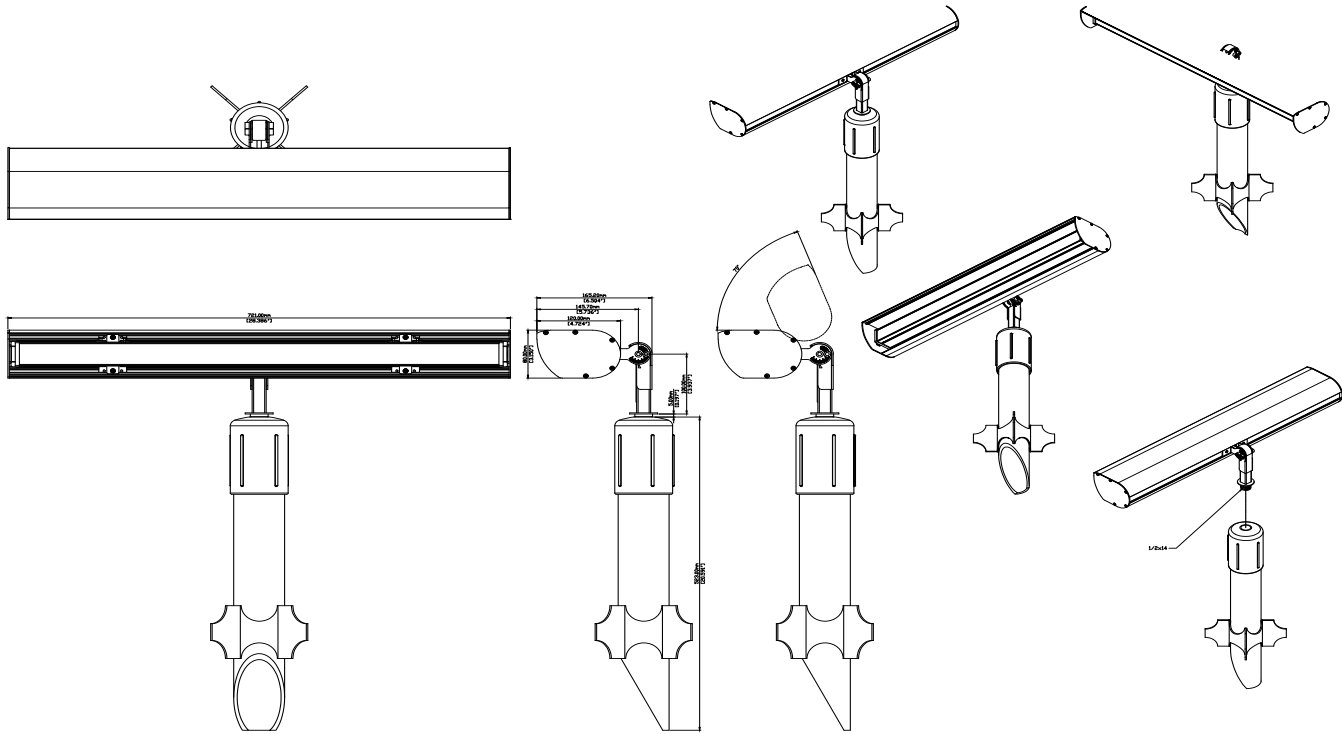


HB50 Ground Post Mounting

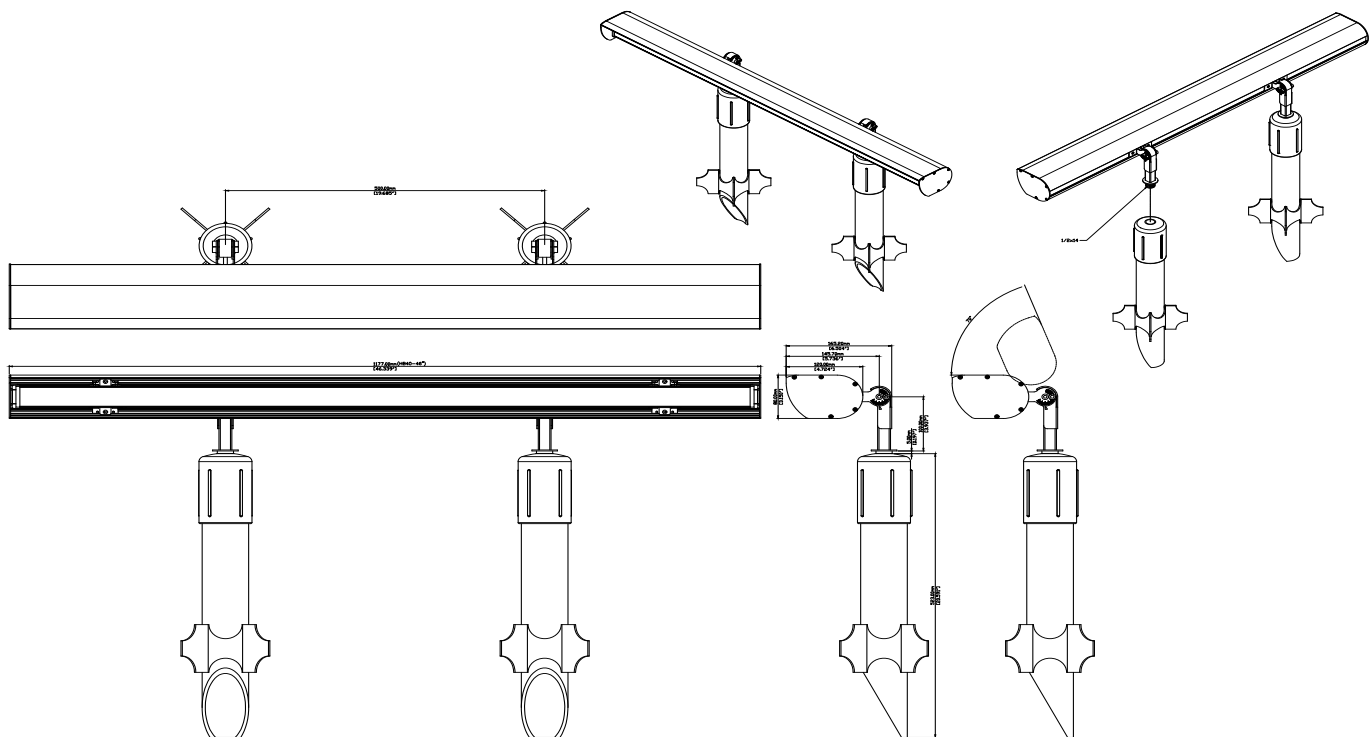
FIXTURE SOLD SEPARATELY

Ground post stake
Part #: HBEXT-GPS

12" AND 24" EXTRUSIONS WITH ONE THREADED ARM



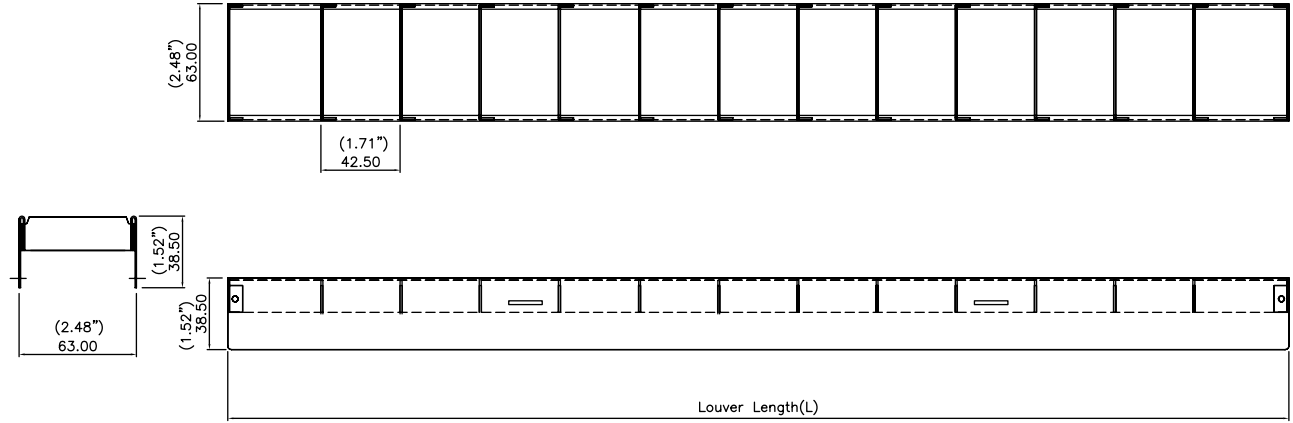
36" AND 48" EXTRUSIONS WITH TWO THREADED ARMS



HB50 Louvers

FIXTURES SOLD SEPARATELY

LOUVERS



Model No.	Standard Inch	LEDs/Unit	LEDs/Pitch		Louver Length		Total Length	
HB50-12-louwer	12	6	42.5 mm	1.71 inch	309 mm	12.2 inch	321 mm	12.6 inch
HB50-24-louwer	24	12	42.5 mm	1.71 inch	607 mm	23.9 inch	619 mm	24.4 inch
HB50-36-louwer	36	18	42.5 mm	1.71 inch	905 mm	35.6 inch	917 mm	36.1 inch
HB50-48-louwer	48	24	42.5mm	1.71 inch	1208 mm	47.6 inch	1220 mm	48 inch

