



HB5224 RGB

LINEAR LED LIGHTBAR

POWERFUL | LOW PROFILE
 18w/ft | RGB | DMX

Exterior: Cove | Flood Lighting

The Smart Lighting Company HB5224 RGB Series is an affordable IP66 rated linear fixture engineered for high-powered illumination, seamlessly fitting into narrow exterior spaces for cove and flood lighting applications. Equipped with premium Nichia bin-sorted LEDs, they deliver even, high-quality light distribution. They are DMX controllable, self-addressing for streamlined installation, and available in array of fixture lengths, mounting options, and housing finishes. Designed with an integral universal power supply and full thermal management, these fixtures also boast a Plug and Play system for efficient power and signal connectivity, making installation a breeze. Complemented by a selection of accessories including a powder-coated housing with an integral glare shield, extended arms, or ground-post mounting, the HB5224 RGB is your affordable go-to for powerful and reliable exterior lighting solutions.



SPECIFICATIONS

PERFORMANCE

Output

18w/ft

Color Temperatures

RGB

Beam Angles

120°

LEDs per Foot

15 (8R, 8G, 8B)

LED's

Nichia bin-sorted

Color Consistency

2 SCDM

ELECTRICAL

Input Voltage

100-277vac

Power Supply

Integral

Control

DMX

Resolution

Per 6" or per fixture

Heat dissipation

Full thermal management system

Connection

Quick connect plug and play system
(power and signal in one cable)

Projected Lumen Maintenance

>90,000 hours

PHYSICAL

Fixture Length Options

12", 24", 36", 48"

Max Run Length

61ft@277vac, 26ft@120vac

Housing

Anodized extruded aluminum, tooled end caps

Lens

Polycarbonate

Fixture Finish (Standard)

Anodized aluminum

Powder Coated Finish (Optional)

Black, Bronze, White, CU

Standard Mounting

Stainless adjustable or flat brackets

Optional Mounting

Powder-coated housing | extended arms or
ground post stakes

Operating Temperature

-40°F to 122°F, (-40°C to 50°C)

ENVIRONMENT AND WARRANTY

IP Rating

IP66

Environment

Dry, Damp or Wet locations
0-100% non-condensing humidity

Certifications

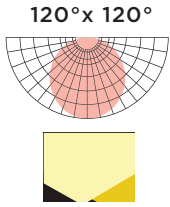
UL, cUL

Warranty

5 year limited warranty

SPECIFICATIONS

OPTICS



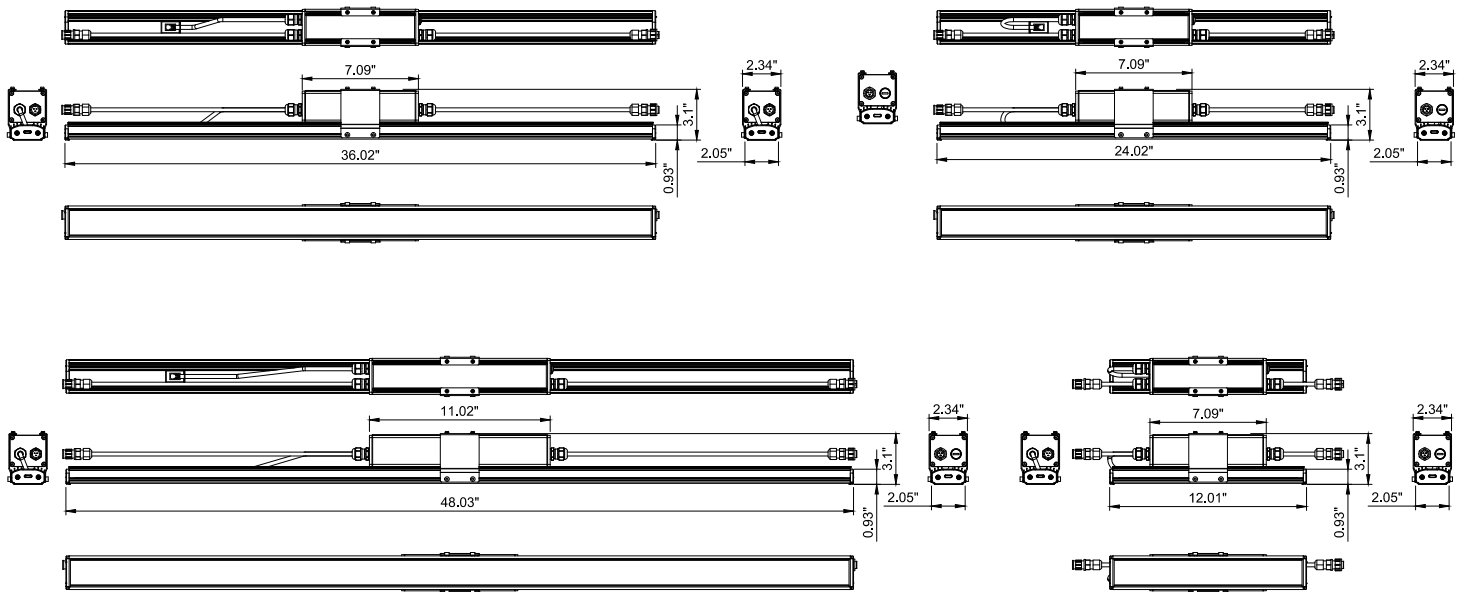
COLOR TEMPERATURES



DIMENSIONS AND DATA

18w/ft	Voltage	View Angle	Watts/ Fixture	Lumens/ Fixture	LEDs/ fixture	Extrusion Length	Total Length
HB5224-1-RGB-120D-AC-DX	100-277VAC	120°	18w	TBD	8R,8G,8B	L=295mm	L=305mm (12")
HB5224-2-RGB-120D-AC-DX			36w	TBD	16R, 16G, 16B	L=600mm	L=610mm (24")
HB5224-3-RGB-120D-AC-DX			54w	TBD	24R, 24G, 24B	L=905mm	L=915mm (36")
HB5224-4-RGB-120D-AC-DX			72w	TBD	32R, 32G, 32B	L=1210mm	L=1220mm (48")

PROFILE



ORDER FORM

CREATE YOUR FIXTURE

Ex. HB5224-4-RGB-120-AC-DM

MODEL <input type="text"/> HB5224	LENGTH <input type="text"/> 1 12 inches 2 24 inches 3 36 inches 4 48 inches	COLOR <input type="text"/> RGB RGB	OPTICS <input type="text"/> 120 120°x120°
VOLTAGE <input type="text"/> AC 100-277vac	CONTROL <input type="text"/> DM Addressable/6" DS Addressable/fixture		

SELECT CONNECTION

Wire Lead

QTY	POWER/SIGNAL	
<input type="text"/>	AL-HB5P-72"-W/L	72" (6ft) Wire lead 5pin
<input type="text"/>	AL-HB5P-xx"-W/L	xx" (CU) Wire lead 5pin

* 1 wire lead required for each run.

End Cap

QTY		
<input type="text"/>	AL-HB3P-ENDCAP	End cap for fixture output at end of run

* 1 End cap required at the end of each run

Jumper Cable

QTY	POWER/SIGNAL	
<input type="text"/>	AL-HB5P-12"-J	12" (1ft) jumper 5pin
<input type="text"/>	AL-HB5P-72"-J	72" (6ft) jumper 5pin
<input type="text"/>	AL-HB5P-xx"-J	xx" (CU) jumper 5pin

* Fixtures are end to end connected. Use jumpers if space is needed between fixtures.

SELECT MOUNTING

QTY	MOUNTING BRACKETS - 2 PER FIXTURE	
<input type="text"/>	AL-HB52-ADJ BRACKET	HB52 Adjustable bracket
<input type="text"/>	AL-HB52-FLAT BRACKET	HB52 Flat bracket

* Select flat brackets if fixture is mounted in powder coated housing

ADDITIONAL OPTIONS

Optional Powder Coated Finish

QTY	Powder coated finishes available for additional cost	
<input type="text"/>	BK	Black
<input type="text"/>	BZ	Bronze
<input type="text"/>	WH	White
<input type="text"/>	CU	Custom

* Fixture housing is anodized aluminum standard

DMX Controller

QTY		
<input type="text"/>	NIC-DMX-STICK-DE3	DMX Controller

Surge Protection

QTY		
<input type="text"/>	LSP4-UNV	120/277v surge protector

Junction Boxes

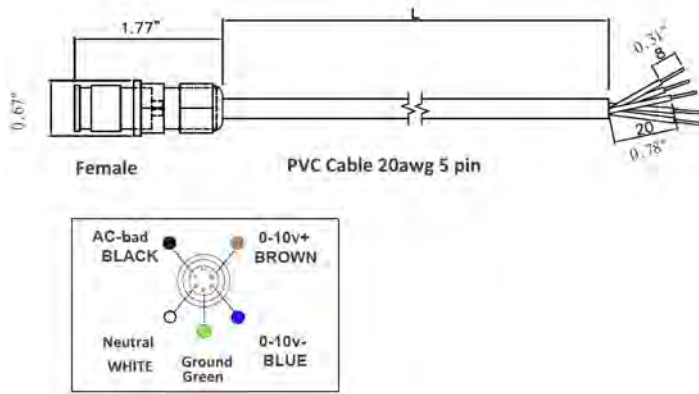
QTY		
<input type="text"/>	AC5A-DMX-3WB1	Power and CAT5 signal splitter
<input type="text"/>	AC5A-DMX-3WB2	AC Power amplifier for long run lengths
<input type="text"/>	AC5A-DMX-3WB3	Power and Wire lead signal splitter

* Used in place of wire leads to separate power and signal

WIRING OPTIONS

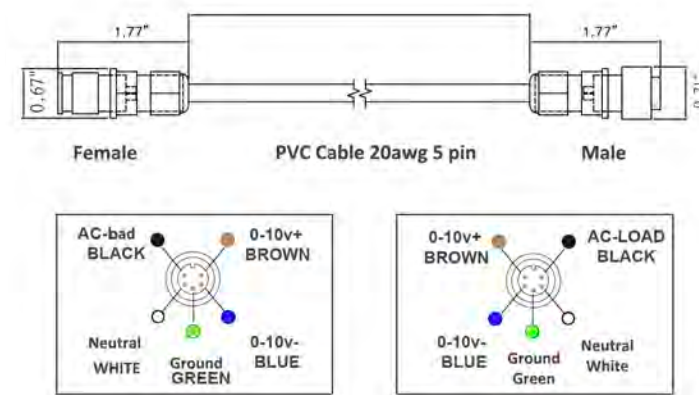
WIRE LEAD

DESCRIPTION	PART NUMBER
5 pin power / signal wire	AL-HB5P-xx"-W/L



JUMPER CABLE

DESCRIPTION	PART NUMBER
5 pin power / signal jumper	AL-HB5P-xx"-J



JUNCTION BOX - POWER AND CAT5 SIGNAL SPLITTER

JUNCTION BOX

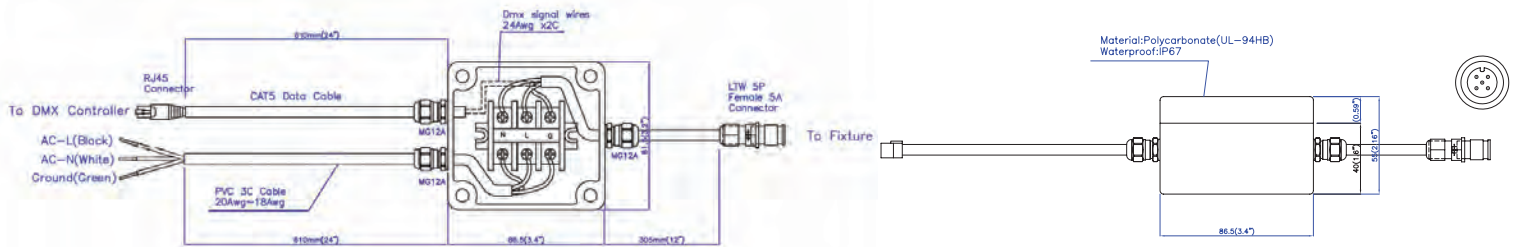
AC5A-DMX-3WB1

INPUT

24" PVC Cat5 Cable for DMX Data 24"
PVC Cable (3 leads) for AC Power

OUTPUT

12" Cable w 5P Female 5A Connector



JUNCTION BOX-AC POWER AMPLIFIER FOR LONG RUN LENGTHS

JUNCTION BOX

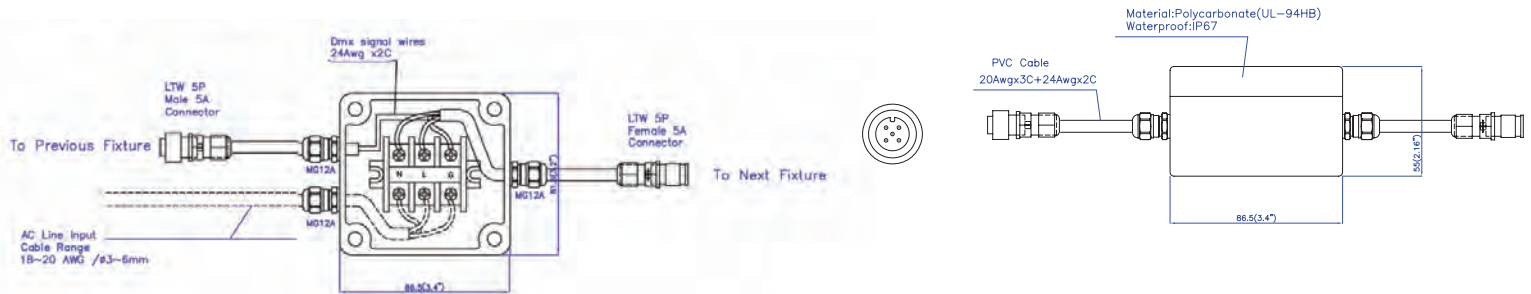
AC5A-DMX-3WB2

INPUT

12" PVC Cable w/ 5P Male 5A Connector

OUTPUT

12" PVC Cable w/ 5P Female 5A Connector



JUNCTION BOX - POWER AND WIRE LEAD SIGNAL SPLITTER

JUNCTION BOX

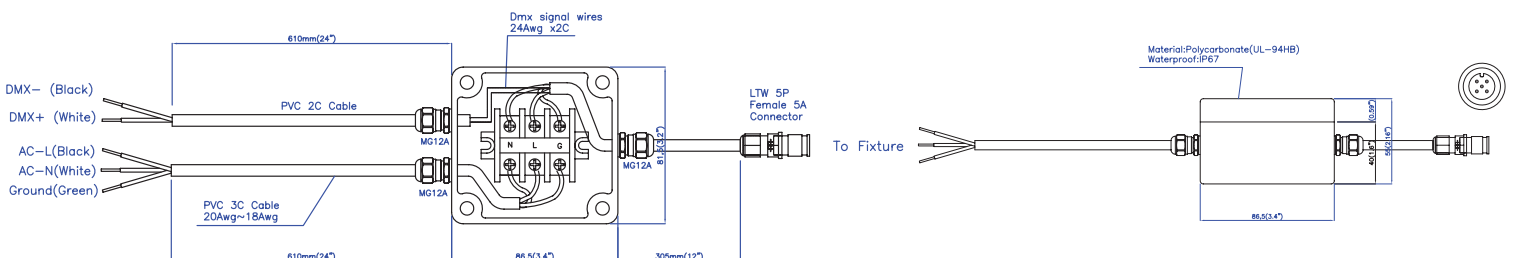
AC5A-DMX-3WB1

INPUT

24" PVC Cable (2 leads) for DMX Data
24" PVC Cable (3 leads) for AC Power

OUTPUT

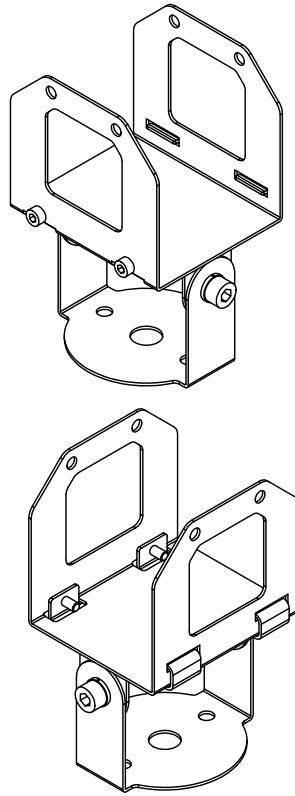
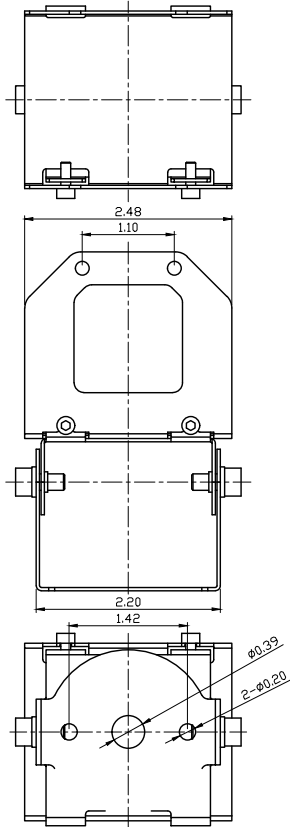
12" Cable w 5P Female 5A Connector



MOUNTING BRACKETS

ADJUSTABLE BRACKETS

DESCRIPTION	PART NUMBER
HB52 Adjustable Bracket	AL-HB52 ADJ.Bracket



SURGE PROTECTION DEVICE

SURGE PROTECTION

DESCRIPTION | **PART NUMBER** | The use of a surge protection device is necessary to maintain your warranty. Specifications are subject to change without notice.

Surge Protection Device | AL-LSP-UNV

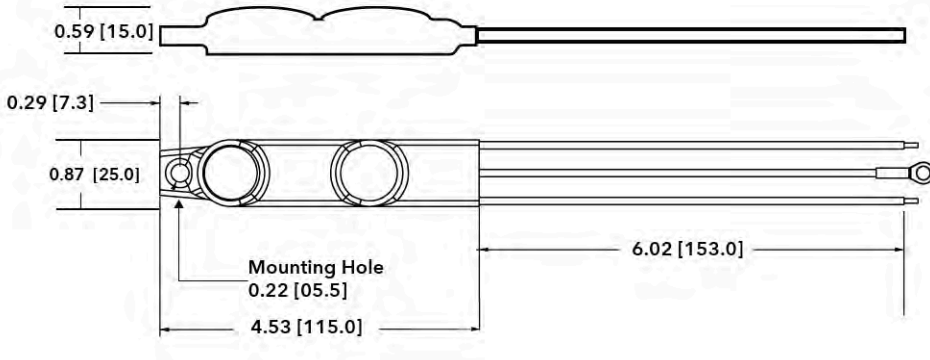
SPECIFICATIONS

Input Voltage	120-277V (+/- 5%)		
Frequency	50Hz-60Hz		
Maximum Continuous Voltage	320V		
Maximum Discharge Current	L-N 20kA; L-G, N-G 10kA (8/20Qs standard wave)		
Nominal Discharge Current	5kA		
Measured Limiting Voltage (VpK)	L-N	L-G	N-G
	1200	1320	1320
Max Case Temperature	85°C		

PULSE RATING (8 X 20 SEC)		
Surge Level	# of Strikes	
	L-N	L-G, N-G
10,000A	*2	1
6,500A	4	2
5,000A	30	15
2,000A	200	100
700A	20000	1000

*1 strike at 20,000A

MECHANICAL DIMENSIONS : IN (MM)



WIRING DIAGRAM

