



HB5228

HIGH POWER | SIGN LIGHTING/COVE
 11.25w/ft | 1450lm/ft



ARCHITECTURAL LINEAR LED

The HB52 Series are IP66 rated for wet location, high powered linear fixtures designed to fit in narrow locations and produce intense illumination for indoor and outdoor sign lighting and cove applications. Nichia bin-sorted LEDs produce high quality, even illumination.

Multiple options are available for fixture length, color temperature, mounting and housing finish. Fixtures contain an integral universal power supply, full thermal management, and feature a plug and play cable system carrying both power and signal for ease of installation.

Perfect for powerful illumination of coves and surfaces.



SPECIFICATIONS

PERFORMANCE

Output

11.25w/ft | 1450lm/ft

Color Temperatures

22k, 27k, 30k, 35k, 41k, 50k, 65k, R, G, B, A

Beam Angles

120°

LEDs per Foot

35

LED's

Nichia bin-sorted

Color Consistency

2 SCDM

CRI

80+ std, 90+ optional

ELECTRICAL

Input Voltage

100-277vac

Power Supply

Integral

Control

0-10v dimming

Heat dissipation

Full thermal management system

Connection

Quick connect plug and play system

Projected Lumen Maintenance

>90,000 hours

PHYSICAL

Fixture Length Options

12", 24", 36", 48"

Max Run Length

98ft@277vac, 42ft@120vac

Housing

Anodized extruded aluminum, tooled end caps

Lens

Polycarbonate

Fixture Finish (Standard)

Anodized aluminum

Powder Coated Finish (Optional)

Black, Bronze, White, CU

Standard Mounting

Stainless adjustable or flat brackets

Optional Mounting

Powder coated housing | extended arms or ground post stakes

Operating Temperature

-40°F to 122°F, (-40°C to 50°C)

ENVIRONMENT AND WARRANTY

IP Rating

IP66

Environment

Dry, Damp or Wet locations
0-100% non-condensing humidity

Certifications

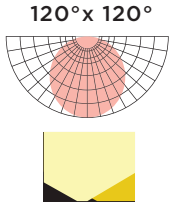
UL, cUL

Warranty

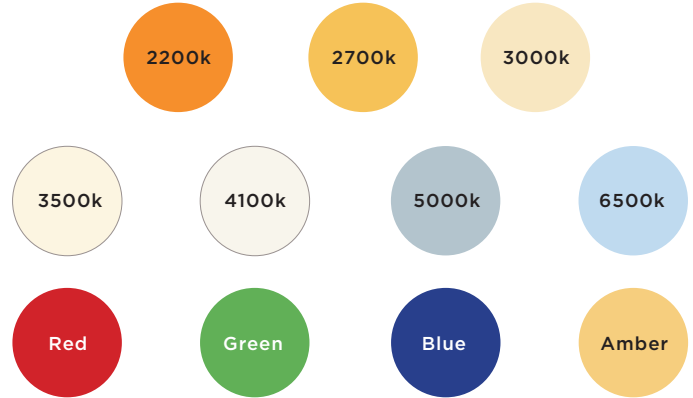
5 year limited warranty

SPECIFICATIONS

OPTICS



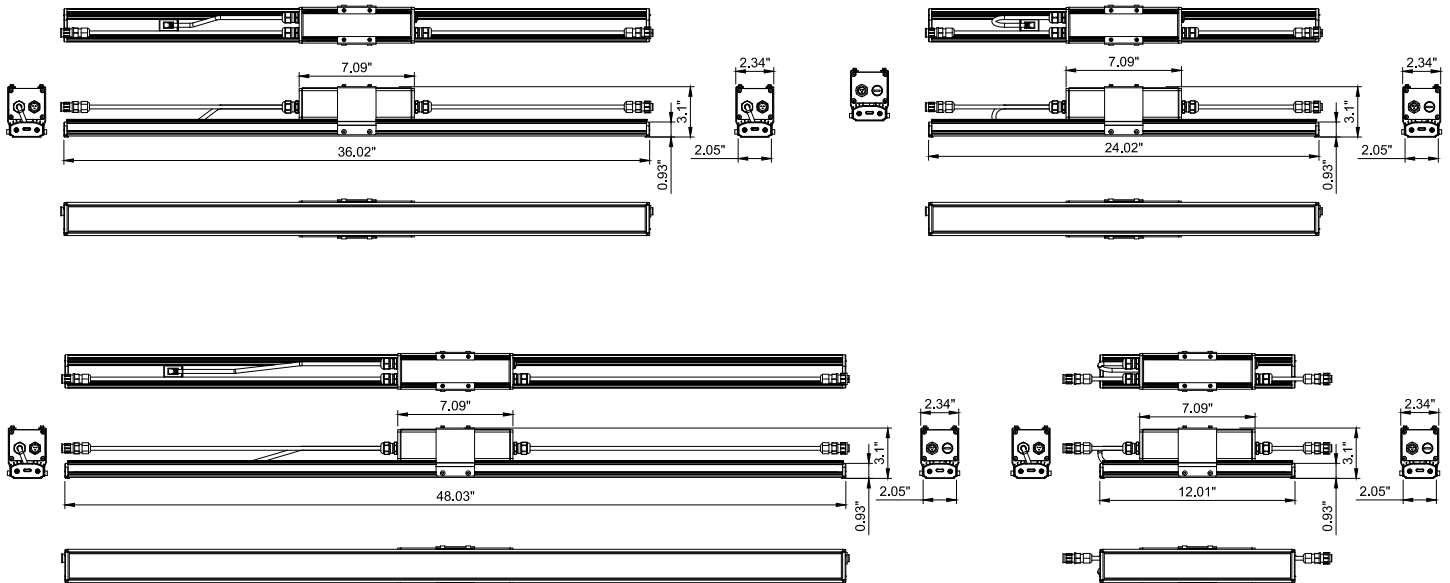
COLOR TEMPERATURES



DIMENSIONS AND DATA

	Voltage	View Angle	Watts/ Fixture	Lumens/ Fixture	LEDs/ Fixture	Extrusion Length	Total Length
HB5228-1'-XXK-120D-ACD	100/ 270VAC	120°	12w	1450	35	L=295mm	L=305mm (12")
HB5228-2'-XXK-120D-ACD			23w	2900	70	L=600mm	L=610mm (24")
HB5228-3'-XXK-120D-ACD			33.8w	4350	105	L=905mm	L=915mm (36")
HB5228-4'-XXK-120D-ACD			45w	5800	140	L=1210mm	L=1220mm (48")

PROFILE



ORDER FORM

Ex. HB3014R-48-41K-120-ACD-4

CREATE YOUR FIXTURE

MODEL	LENGTH	COLOR	OPTICS
HB5228	1450lm/ft	22k 2200k R Red 27k 2700k G Green 30k 3000k B Blue 35k 3500k A Amber 41k 4100k 50k 5000k 65k 6500k	120 120°x120°
	1' 1 foot 2' 2 foot 3' 3 foot 4' 4 foot		
VOLTAGE	CONTROL		
AC 100-277vac	D 0-10v Dimming ND Non Dimming		

SELECT CONNECTION

Wire Lead

QTY	POWER/SIGNAL		
	AL-HB5P-72"-W/L	72" (6ft) Wire lead 5pin	
	AL-HB5P-xx"-W/L	xx" (CU) Wire lead 5pin	
QTY	POWER		
	AL-HB3P-72"-W/L	72" (6ft) Wire lead 3pin	
	AL-HB3P-xx"-W/L	xx" (CU) Wire lead 3pin	

* 1 wire lead required for each run.

End Cap

QTY	AL-HB3P-ENDCAP	End cap for fixture output at end of run
-----	----------------	--

* 1 End cap required at the end of each run

Jumper Cable

QTY	POWER/SIGNAL		
	AL-HB5P-12"-J	12" (1ft) jumper 5pin	
	AL-HB5P-72"-J	72" (6ft) jumper 5pin	
	AL-HB5P-xx"-J	xx" (CU) jumper 5pin	
QTY	POWER		
	AL-HB3P-12"-J	12" (1ft) jumper 3pin	
	AL-HB3P-72"-J	72" (6ft) jumper 3pin	
	AL-HB3P-xx"-J	xx" (CU) jumper 3pin	

* Fixtures are end to end connected. Use jumpers if space is needed between fixtures.

SELECT MOUNTING

QTY	MOUNTING BRACKETS - 2 REQUIRED PER FIXTURE	
	AL-HB52-ADJ BRACKET	HB52 Adjustable bracket

ADDITIONAL OPTIONS

Optional Powder Coated Finish

QTY	Powder coated finishes available for additional cost	
	BK	Black
	BZ	Bronze
	WH	White
	CU	Custom

* Fixture housing is anodized aluminum standard

0-10V Dimmer

QTY	LUT-DVSTV-WH	0-10v dimming wall switch
-----	--------------	---------------------------

Surge Protection

QTY	LSP4-UNV	120/277v surge protector
-----	----------	--------------------------

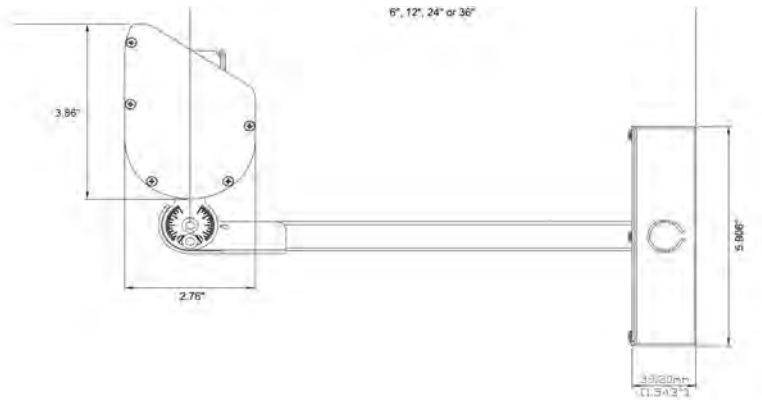
ORDER FORM

ADDITIONAL MOUNTING OPTIONS

Housing and Extended Arms

Fixture can be mounted in a powder coated housing with integral glare shield

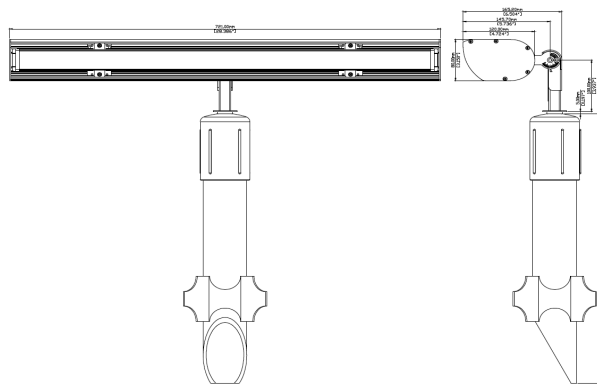
QTY	Housing	(L) Housing Length	(F) Finish	(A) Extended Arm Length
	HB52EXT-	12"	BK - Black	6"
		24"	BZ- Bronze	12"
		36"	WH - White	18"
		48"	SI - Silver	24"
			CU - Custom	36"
GPA (Ground Post Arm)				



Ground Posts

QTY Select when using GPA above (1 per fixture for 12" & 24" housing and 2 for 36" & 48" housing)
 HBEXT-GPS Ground post mount

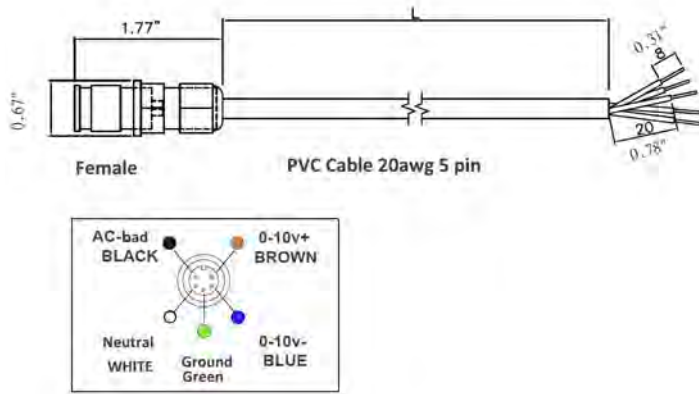
1ft & 2ft extrusions require one HBEXT-GPS. 3ft & 4ft extrusions require two HBEXT-GPS.



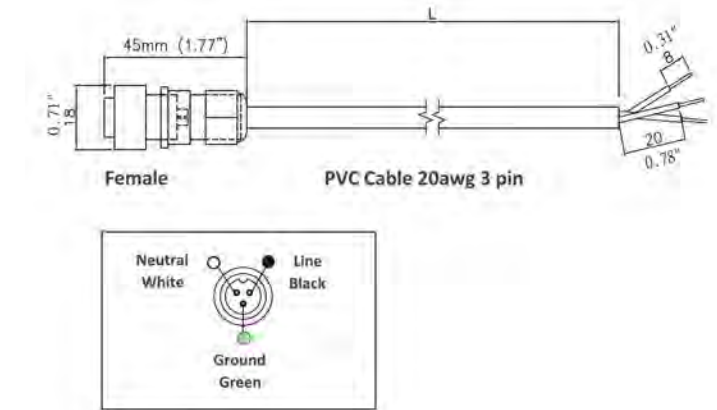
WIRING OPTIONS

WIRE LEAD

DESCRIPTION | **PART NUMBER**
 5 pin power / signal wire | AL-HB5P-xx"-W/L

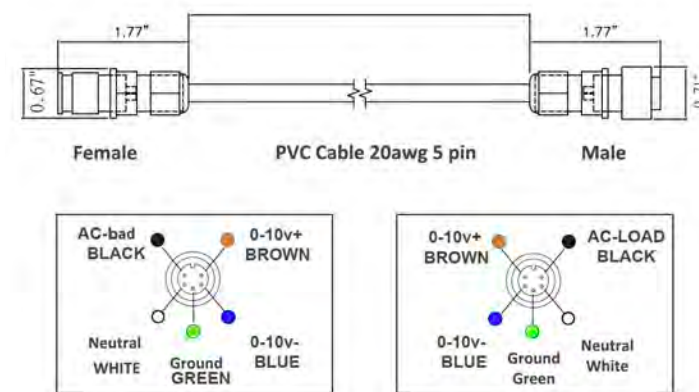


DESCRIPTION | **PART NUMBER**
 3 pin power wire | AL-HB3P-xx"-W/L

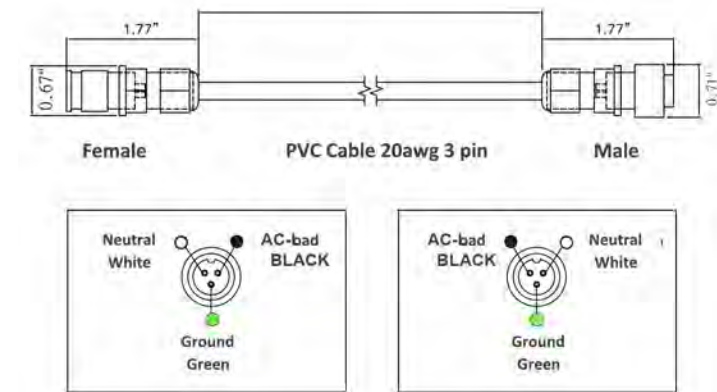


JUMPER CABLE

DESCRIPTION | **PART NUMBER**
 5 pin power / signal jumper | AL-HB5P-xx"-J



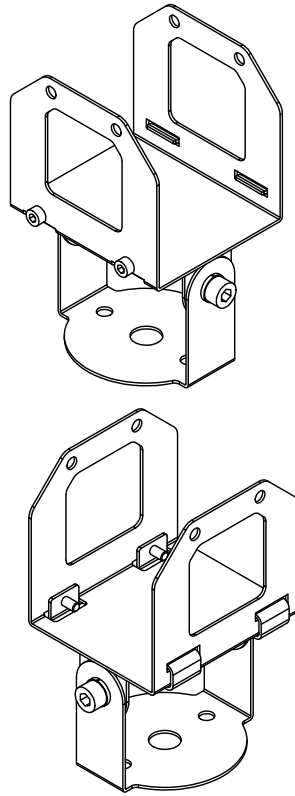
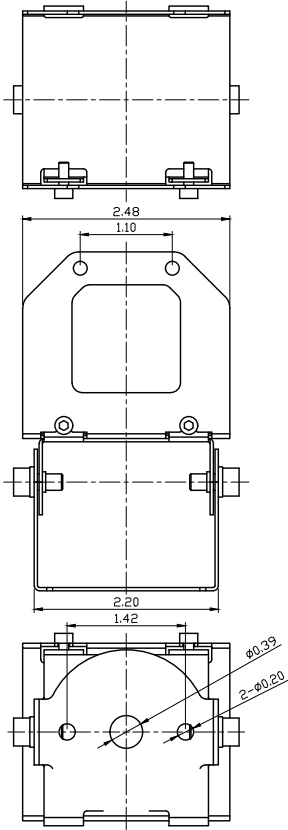
DESCRIPTION | **PART NUMBER**
 3 pin power jumper | AL-HB3P-xx"-J



MOUNTING BRACKETS

ADJUSTABLE BRACKETS

DESCRIPTION	PART NUMBER
HB52 Adjustable Bracket	AL-HB52 ADJ.Bracket



SURGE PROTECTION DEVICE

SURGE PROTECTION

DESCRIPTION

Surge Protection Device

PART NUMBER

AL-LSP-UNV

The use of a surge protection device is necessary to maintain your warranty. Specifications are subject to change without notice.

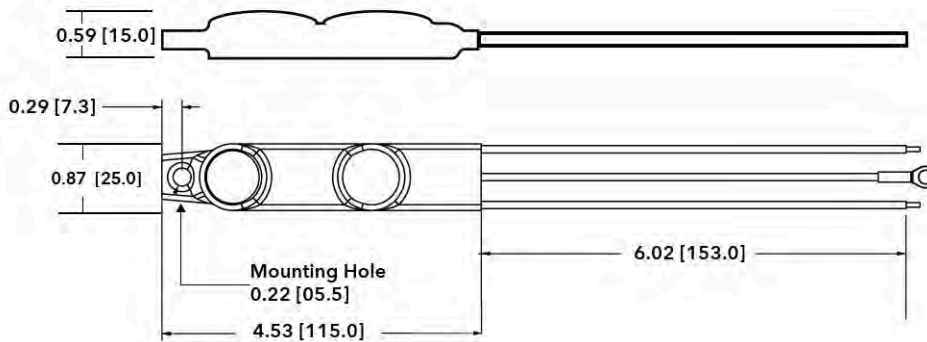
SPECIFICATIONS

Input Voltage	120-277V (+/- 5%)		
Frequency	50Hz-60Hz		
Maximum Continuous Voltage	320V		
Maximum Discharge Current	L-N 20kA; L-G, N-G 10kA (8/20Qs standard wave)		
Nominal Discharge Current	5kA		
Measured Limiting Voltage (VpK)	L-N	L-G	N-G
	1200	1320	1320
Max Case Temperature	85°C		

PULSE RATING (8 X 20 SEC)		
Surge Level	# of Strikes	
	L-N	L-G, N-G
10,000A	*2	1
6,500A	4	2
5,000A	30	15
2,000A	200	100
700A	20000	1000

*1 strike at 20,000A

MECHANICAL DIMENSIONS : IN (MM)



WIRING DIAGRAM

