



HB5240 RGBW

LINEAR LED LIGHTBAR

HIGH POWER | LOW PROFILE
 18w/ft | RGBW | DMX

Exterior: Cove | Flood | Facade Lighting

Explore the robust capabilities of the HB5240 Series, IP66 rated high-powered linear fixtures from The Smart Lighting Company, designed for narrow spaces yet capable of intense illumination. Ideal for exterior cove, façade, and flood applications, these fixtures feature high-quality Nichia bin-sorted LEDs, ensuring uniform and powerful lighting. With DMX control and self-addressing, the HB5240 offers ease in integration and operation. Available in multiple lengths, with various mounting and housing finishes, these fixtures are adaptable to diverse architectural needs. An integral universal power supply and full thermal management system are built-in, complemented by a plug and play cable system for straightforward installation. The series also offers a range of mounting options and accessories, like powder-coated housings with glare shields, to enhance functionality and aesthetics. Perfect for delivering high-powered, reliable illumination to coves and surfaces, the HB52 Series exemplifies advanced, affordable lighting technology in a sleek, efficient package.



SPECIFICATIONS

PERFORMANCE

Output

18w/ft

Color Temperatures

RGBW

Beam Angles

120°

LEDs per Foot

40 (8R, 8G, 8B, 16W)

LED's

Nichia bin-sorted

Color Consistency

2 SCDM

ELECTRICAL

Input Voltage

100-277vac

Power Supply

Integral

Control

DMX

Resolution

Per 6" or per fixture

Heat dissipation

Full thermal management system

Connection

Quick connect plug and play system
(power and signal in one cable)

Projected Lumen Maintenance

>90,000 hours

PHYSICAL

Fixture Length Options

12", 24", 36", 48"

Max Run Length

61ft@277vac, 26ft@120vac

Housing

Anodized extruded aluminum, tooled end caps

Lens

Polycarbonate

Fixture Finish (Standard)

Anodized aluminum

Powder Coated Finish (Optional)

Black, Bronze, White, CU

Standard Mounting

Stainless adjustable or flat brackets

Optional Mounting

Powder-coated housing | extended arms or
ground post stakes

Operating Temperature

-40°F to 122°F, (-40°C to 50°C)

ENVIRONMENT AND WARRANTY

IP Rating

IP66

Environment

Dry, Damp or Wet locations
0-100% non-condensing humidity

Certifications

UL, cUL

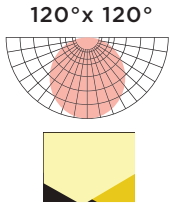
Warranty

5 year limited warranty

SPECIFICATIONS

OPTICS

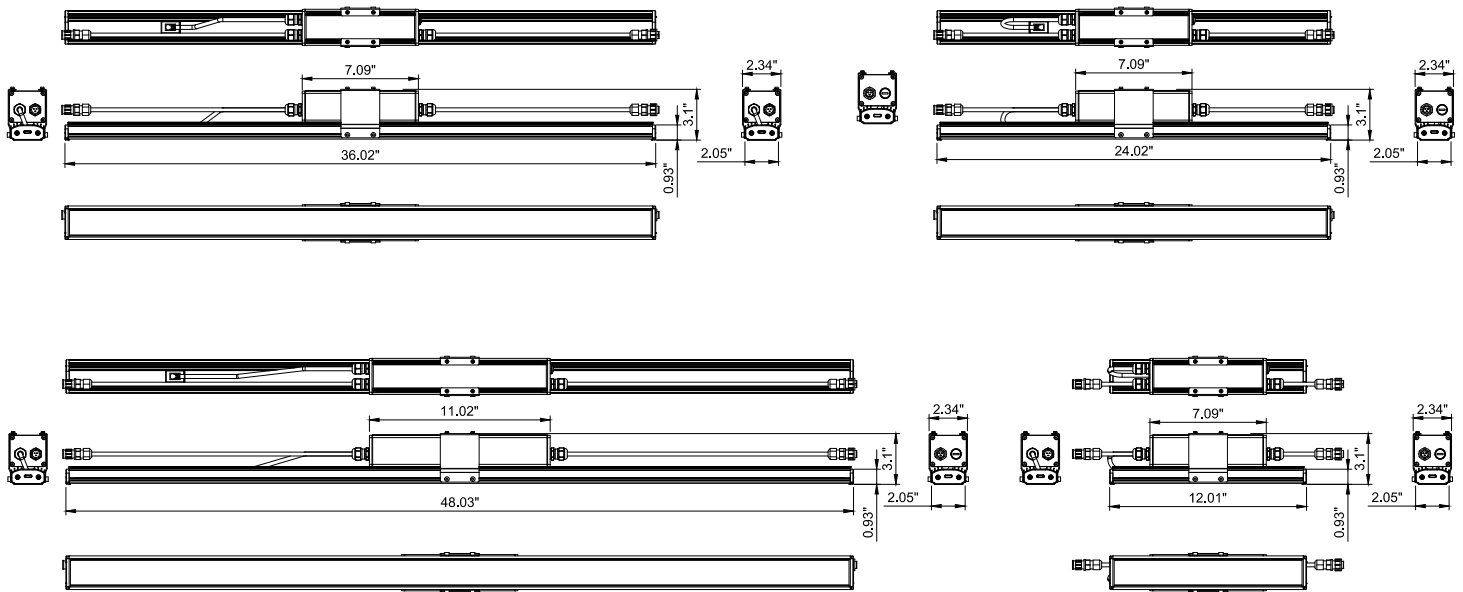
COLOR TEMPERATURES



DIMENSIONS AND DATA

18w/ft	Voltage	View Angle	Watts/ Fixture	Lumens/ Fixture	LEDs/ fixture	Extrusion Length	Total Length
HB5240-1-RGBW-120D-AC-DX	100-277VAC	120°	18w	TBD	8R, 8G, 8B, 16W	L=295mm	L=305mm (12")
HB5240-2-RGBW-120D-AC-DX			36w	TBD	16R, 16G, 16B, 32W	L=600mm	L=610mm (24")
HB5240-3-RGBW-120D-AC-DX			54w	TBD	24R, 24G, 24B, 48W	L=905mm	L=915mm (36")
HB5240-4-RGBW-120D-AC-DX			72w	TBD	32R, 32G, 32B, 64W	L=1210mm	L=1220mm (48")

PROFILE



ORDER FORM

CREATE YOUR FIXTURE

Ex. HB5240-4-RGBW65-120-AC-DM

MODEL HB5240	LENGTH 1 12 inches 2 24 inches 3 36 inches 4 48 inches	COLOR RGBW 27k 2700k 30k 3000k Select the W - 65k is standard 35k 3500k 41k 4100k 50k 5000k 65k 6500k A Amber	OPTICS 120 120°x120°
VOLTAGE AC 100-277vac	CONTROL DM Addressable/6" DS Addressable/fixture		

SELECT CONNECTION

Wire Lead

QTY	POWER/SIGNAL	
<input type="checkbox"/>	AL-HB5P-72"-W/L	72" (6ft) Wire lead 5pin
<input type="checkbox"/>	AL-HB5P-xx"-W/L	xx" (CU) Wire lead 5pin

* 1 wire lead required for each run.

End Cap

QTY		
<input type="checkbox"/>	AL-HB3P-ENDCAP	End cap for fixture output at end of run

* 1 End cap required at the end of each run

Jumper Cable

QTY	POWER/SIGNAL	
<input type="checkbox"/>	AL-HB5P-12"-J	12" (1ft) jumper 5pin
<input type="checkbox"/>	AL-HB5P-72"-J	72" (6ft) jumper 5pin
<input type="checkbox"/>	AL-HB5P-xx"-J	xx" (CU) jumper 5pin

* Fixtures are end to end connected. Use jumpers if space is needed between fixtures.

ADDITIONAL OPTIONS

Optional Powder Coated Finish

QTY	Color	
<input type="checkbox"/>	BK	Black
<input type="checkbox"/>	BZ	Bronze
<input type="checkbox"/>	WH	White
<input type="checkbox"/>	CU	Custom

* Fixture housing is anodized aluminum standard

DMX Controller

QTY		
<input type="checkbox"/>	NIC-DMX-STICK-DE3	DMX Controller

Surge Protection

QTY		
<input type="checkbox"/>	LSP4-UNV	120/277v surge protector

Junction Boxes

QTY		
<input type="checkbox"/>	AC5A-DMX-3WB1	Power and CAT5 signal splitter
<input type="checkbox"/>	AC5A-DMX-3WB2	AC Power amplifier for long run lengths
<input type="checkbox"/>	AC5A-DMX-3WB3	Power and Wire lead signal splitter

* Used in place of wire leads to separate power and signal

SELECT MOUNTING

MOUNTING BRACKETS - 2 PER FIXTURE

<input type="checkbox"/>	AL-HB52-ADJ BRACKET	HB52 Adjustable bracket
<input type="checkbox"/>	AL-HB52-FLAT BRACKET	HB52 Flat bracket

* Select flat brackets if fixture is mounted in powder coated housing

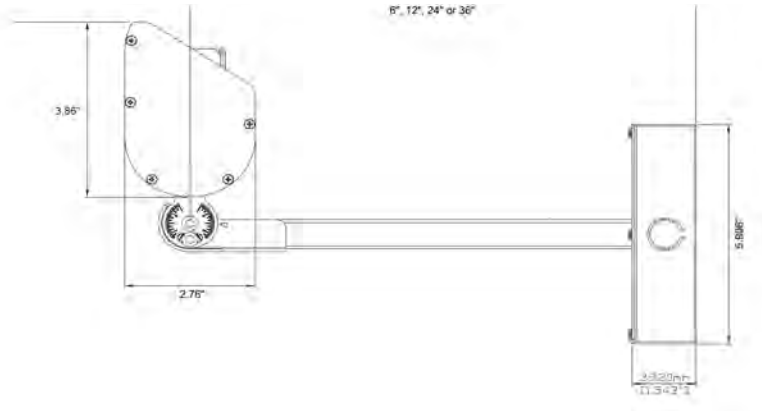
ORDER FORM

ADDITIONAL MOUNTING OPTIONS

Housing and Extended Arms

Fixture can be mounted in a powder coated housing with integral glare shield

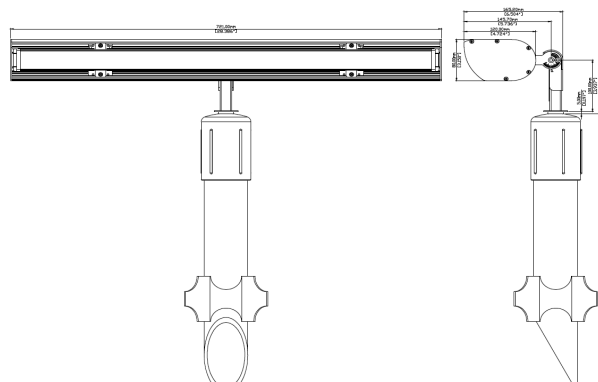
QTY	Housing	(L) Housing Length	(F) Finish	(A) Extended Arm Length
	HB52EXT-	12"	BK - Black	6"
		24"	BZ - Bronze	12"
		36"	WH - White	18"
		48"	SI - Silver	24"
			CU - Custom	36"
GPA (Ground Post Arm)				



Ground Posts

QTY **Select when using GPA above (1 per fixture for 12" & 24" housing and 2 for 36" & 48" housing)**
 HBEXT-GPS Ground post mount

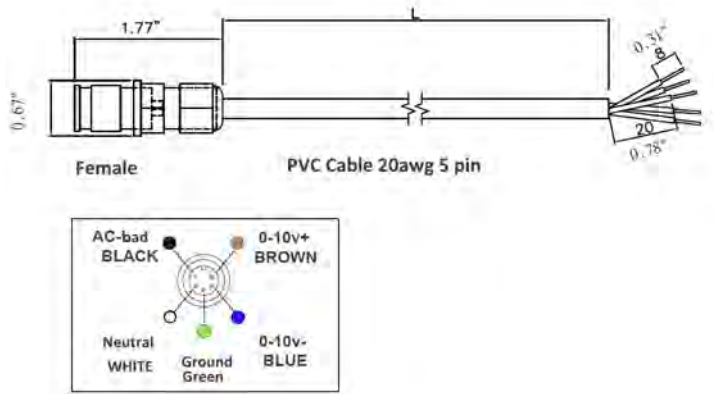
1ft & 2ft extrusions require one HBEXT-GPS. 3ft & 4ft extrusions require two HBEXT-GPS.



WIRING OPTIONS

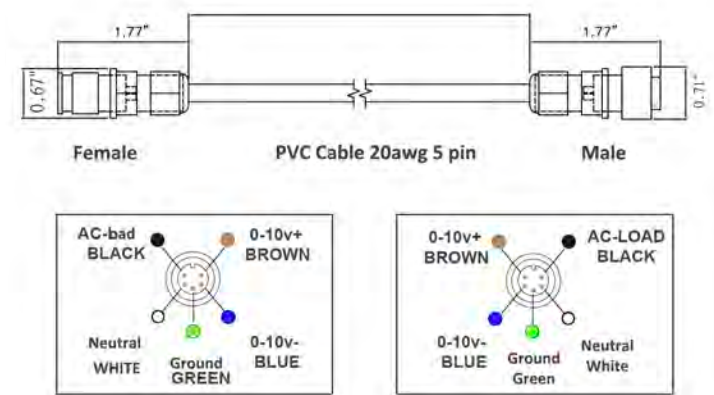
WIRE LEAD

DESCRIPTION 5 pin power / signal wire	PART NUMBER AL-HB5P-xx"-W/L
---	---------------------------------------



JUMPER CABLE

DESCRIPTION 5 pin power / signal jumper	PART NUMBER AL-HB5P-xx"-J
---	-------------------------------------



JUNCTION BOX - POWER AND CAT5 SIGNAL SPLITTER

JUNCTION BOX

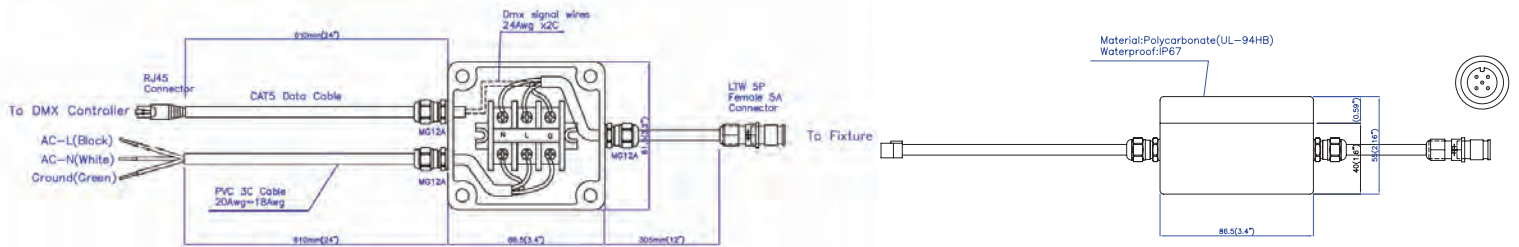
AC5A-DMX-3WB1

INPUT

24" PVC Cat5 Cable for DMX Data 24"
PVC Cable (3 leads) for AC Power

OUTPUT

12" Cable w 5P Female 5A Connector



JUNCTION BOX-AC POWER AMPLIFIER FOR LONG RUN LENGTHS

JUNCTION BOX

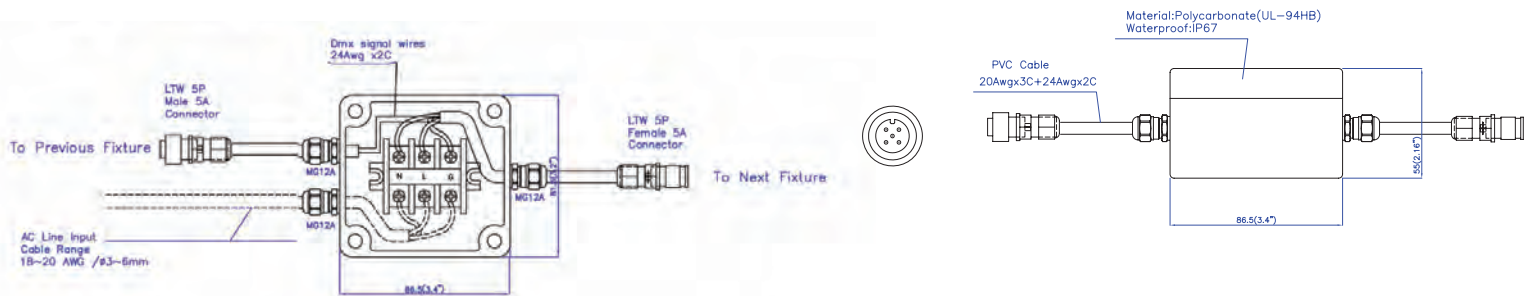
AC5A-DMX-3WB2

INPUT

12" PVC Cable w/ 5P Male 5A Connector

OUTPUT

12" PVC Cable w/ 5P Female 5A Connector



JUNCTION BOX - POWER AND WIRE LEAD SIGNAL SPLITTER

JUNCTION BOX

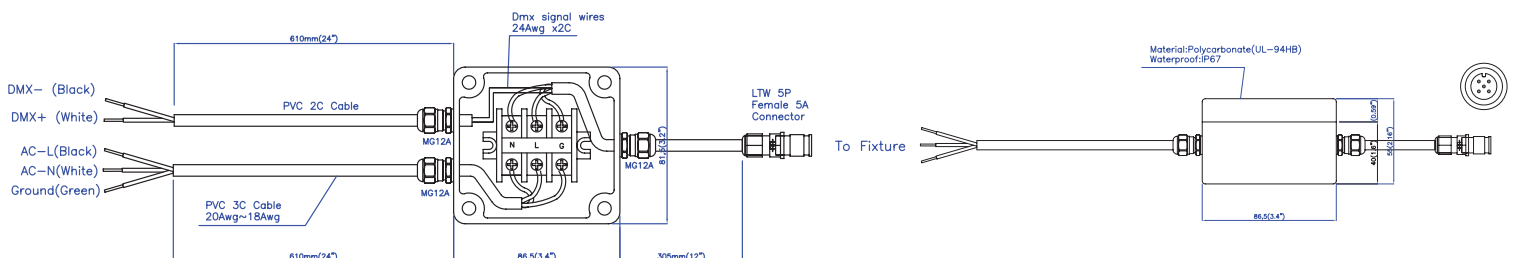
AC5A-DMX-3WB1

INPUT

24" PVC Cable (2 leads) for DMX Data
24" PVC Cable (3 leads) for AC Power

OUTPUT

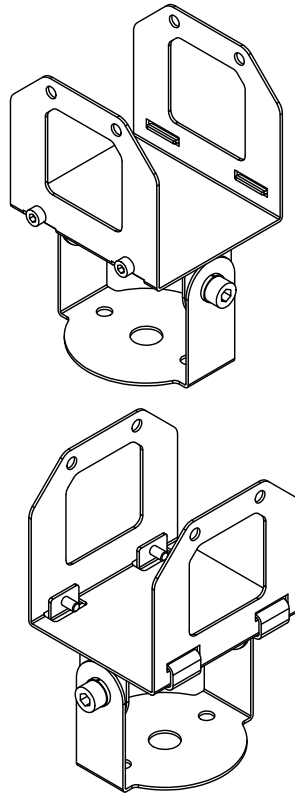
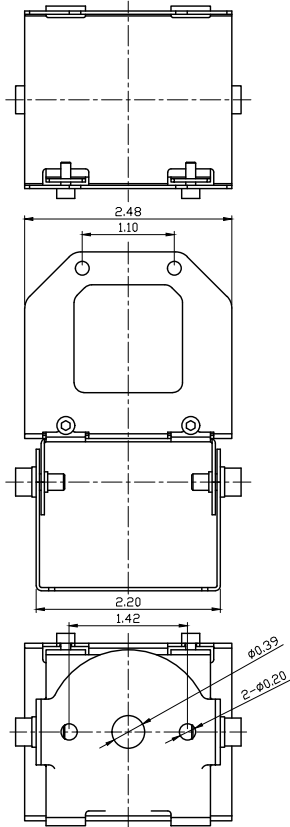
12" Cable w 5P Female 5A Connector



MOUNTING BRACKETS

ADJUSTABLE BRACKETS

DESCRIPTION	PART NUMBER
HB52 Adjustable Bracket	AL-HB52 ADJ.Bracket



SURGE PROTECTION DEVICE

SURGE PROTECTION

DESCRIPTION | **PART NUMBER** | The use of a surge protection device is necessary to maintain your warranty. Specifications are subject to change without notice.

Surge Protection Device | AL-LSP-UNV

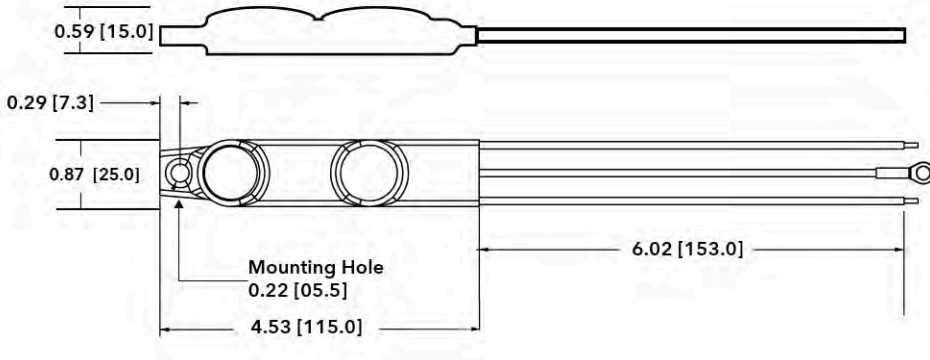
SPECIFICATIONS

Input Voltage	120-277V (+/- 5%)		
Frequency	50Hz-60Hz		
Maximum Continuous Voltage	320V		
Maximum Discharge Current	L-N 20kA; L-G, N-G 10kA (8/20Qs standard wave)		
Nominal Discharge Current	5kA		
Measured Limiting Voltage (VpK)	L-N	L-G	N-G
	1200	1320	1320
Max Case Temperature	85°C		

PULSE RATING (8 X 20 SEC)		
Surge Level	# of Strikes	
	L-N	L-G, N-G
10,000A	*2	1
6,500A	4	2
5,000A	30	15
2,000A	200	100
700A	20000	1000

*1 strike at 20,000A

MECHANICAL DIMENSIONS : IN (MM)



WIRING DIAGRAM

