



HB5242

ARCHITECTURAL LINEAR LED

HIGH POWER | COVE
 18w/ft | 2070lm/ft

Interior/Exterior: Cove | Surface Lighting

Discover The Smart Lighting Company HB5242 Series, where affordability meets uncompromising performance. Ideal for those seeking even lighting for coves and architectural surfaces, these IP66 rated fixtures are designed for the challenges of both wet indoor and outdoor environments, offering high-powered, intense lighting tailored for narrow cove spaces. The use of Nichia bin-sorted LEDs ensures a consistently high-quality and uniform light output, essential for professional-grade applications. Flexibility is built into the series, with a range of fixture lengths, color temperatures, and customizable mounting and housing finishes. Each fixture integrates a universal power supply and robust thermal management, combined with a convenient Plug and Play cable system, to streamline the installation process.



SPECIFICATIONS

PERFORMANCE

Output

18w/ft | 2070lm/ft

Color Temperatures

22k, 27k, 30k, 35k, 41k, 50k, 65k, R, G, B, A

Beam Angles

120°

LEDs per Foot

42

LED's

Nichia bin-sorted

Color Consistency

2 SCDM

CRI

80+ std, 90+ optional

ELECTRICAL

Input Voltage

100-277vac

Power Supply

Integral

Control

0-10v dimming

Heat dissipation

Full thermal management system

Connection

Quick connect plug and play system
(one wire connection for power and signal)

Projected Lumen Maintenance

>90,000 hours

PHYSICAL

Fixture Length Options

12", 24", 36", 48"

Max Run Length

60ft@277vac, 26ft@120vac

Housing

Anodized extruded aluminum, tooled end caps

Lens

Polycarbonate

Fixture Finish (Standard)

Anodized aluminum

Powder Coated Finish (Optional)

Black, Bronze, White, CU

Standard Mounting

Stainless adjustable brackets

Optional Mounting

Powder coated housing | extended arms or
ground post stakes

Operating Temperature

-40°F to 122°F, (-40°C to 50°C)

ENVIRONMENT AND WARRANTY

IP Rating

IP66

Environment

Dry, Damp or Wet locations
0-100% non-condensing humidity

Certifications

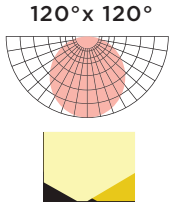
UL, cUL

Warranty

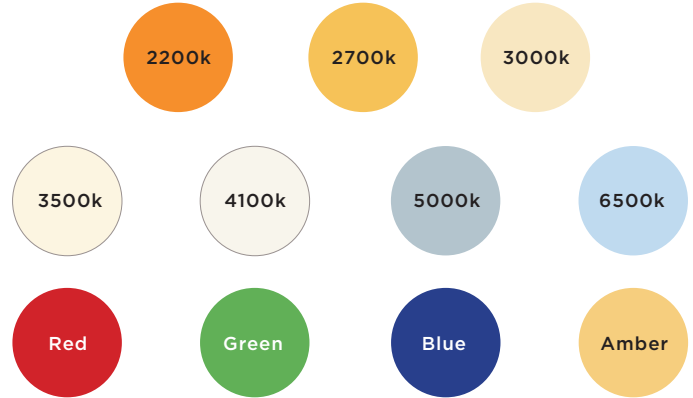
5 year limited warranty

SPECIFICATIONS

OPTICS



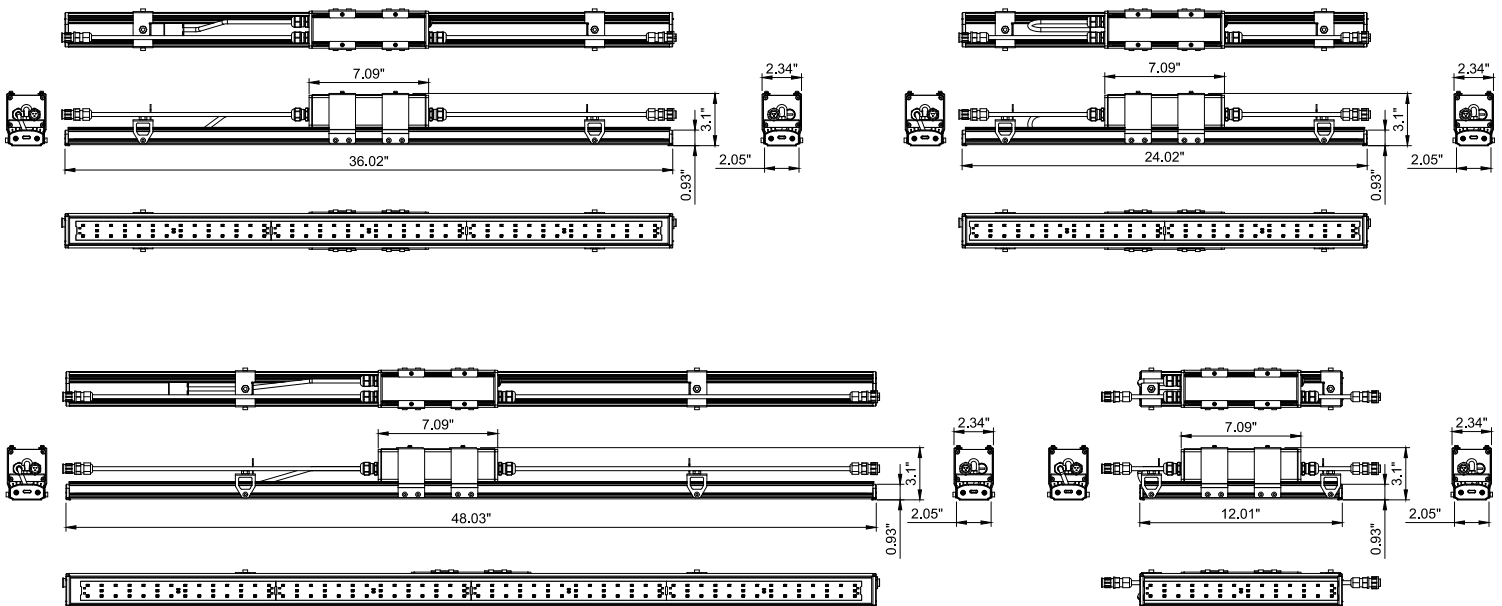
COLOR TEMPERATURES



DIMENSIONS AND DATA

| | Voltage | View Angle | Watts/ Fixture | Lumens/ Fixture | LEDs/ Fixture | Extrusion Length | Total Length |
|------------------------|-------------|------------|----------------|-----------------|---------------|------------------|----------------|
| HB5242-1'-XXK-120D-ACD | 100/ 270VAC | 120° | 18w | 2070 | 42 | L=295mm | L=305mm (12") |
| HB5242-2'-XXK-120D-ACD | | | 36w | 4140 | 84 | L=600mm | L=610mm (24") |
| HB5242-3'-XXK-120D-ACD | | | 54w | 6210 | 126 | L=905mm | L=915mm (36") |
| HB5242-4'-XXK-120D-ACD | | | 72w | 8280 | 168 | L=1210mm | L=1220mm (48") |

PROFILE



ORDER FORM

CREATE YOUR FIXTURE

Ex. HB5242-4-41K-120ACD

| | | | |
|--|--|---|---|
| MODEL <input type="text"/> HB5242 | LENGTH <input type="text"/> 1' 1 foot 2' 2 foot 3' 3 foot 4' 4 foot | COLOR <input type="text"/> 22k 2200k R Red 27k 2700k G Green 30k 3000k B Blue 35k 3500k A Amber 41k 4100k 50k 5000k 65k 6500k | OPTICS <input type="text"/> 120 120°x120° |
| VOLTAGE <input type="text"/> AC 100-277vac | CONTROL <input type="text"/> D 0-10v Dimming ND Non Dimming | | |

SELECT CONNECTION

Wire Lead

| | | |
|----------------------|---------------------|--------------------------|
| QTY | POWER/SIGNAL | |
| <input type="text"/> | AL-HB5P-72"-W/L | 72" (6ft) Wire lead 5pin |
| <input type="text"/> | AL-HB5P-xx"-W/L | xx" (CU) Wire lead 5pin |
| QTY | POWER | |
| <input type="text"/> | AL-HB3P-72"-W/L | 72" (6ft) Wire lead 3pin |
| <input type="text"/> | AL-HB3P-xx"-W/L | xx" (CU) Wire lead 3pin |

* 1 wire lead required for each run.

End Cap

| | | |
|----------------------|----------------|--|
| QTY | | |
| <input type="text"/> | AL-HB3P-ENDCAP | End cap for fixture output at end of run |

* 1 End cap required at the end of each run

Jumper Cable

| | | |
|----------------------|---------------------|-----------------------|
| QTY | POWER/SIGNAL | |
| <input type="text"/> | AL-HB5P-12"-J | 12" (1ft) jumper 5pin |
| <input type="text"/> | AL-HB5P-72"-J | 72" (6ft) jumper 5pin |
| <input type="text"/> | AL-HB5P-xx"-J | xx" (CU) jumper 5pin |
| QTY | POWER | |
| <input type="text"/> | AL-HB3P-12"-J | 12" (1ft) jumper 3pin |
| <input type="text"/> | AL-HB3P-72"-J | 72" (6ft) jumper 3pin |
| <input type="text"/> | AL-HB3P-xx"-J | xx" (CU) jumper 3pin |

* Fixtures are end to end connected. Use jumpers if space is needed between fixtures.

SELECT MOUNTING

| | | |
|----------------------|---|-------------------------|
| QTY | MOUNTING BRACKETS - 2 REQUIRED PER FIXTURE | |
| <input type="text"/> | AL-HB52-ADJ BRACKET | HB52 Adjustable bracket |

ADDITIONAL OPTIONS

Optional Powder Coated Finish

| | | |
|----------------------|---|--------|
| QTY | Powder coated finishes available for additional cost | |
| <input type="text"/> | BK | Black |
| <input type="text"/> | BZ | Bronze |
| <input type="text"/> | WH | White |
| <input type="text"/> | CU | Custom |

* Fixture housing is anodized aluminum standard

0-10V Dimmer

| | | |
|----------------------|--------------|---------------------------|
| QTY | | |
| <input type="text"/> | LUT-DVSTV-WH | 0-10v dimming wall switch |

Surge Protection

| | | |
|----------------------|----------|--------------------------|
| QTY | | |
| <input type="text"/> | LSP4-UNV | 120/277v surge protector |

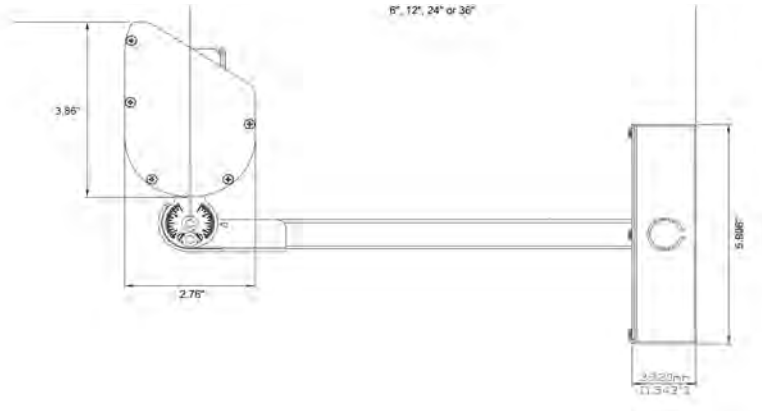
ORDER FORM

ADDITIONAL MOUNTING OPTIONS

Housing and Extended Arms

Fixture can be mounted in a powder coated housing with integral glare shield

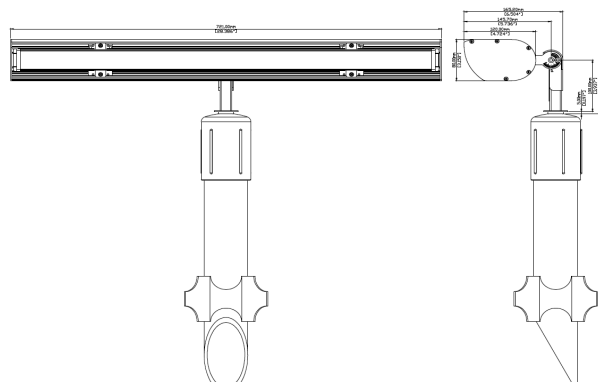
| QTY | Housing | (L) Housing Length | (F) Finish | (A) Extended Arm Length |
|-----------------------|----------|--------------------|-------------|-------------------------|
| | HB52EXT- | 12" | BK - Black | 6" |
| | | 24" | BZ - Bronze | 12" |
| | | 36" | WH - White | 18" |
| | | 48" | SI - Silver | 24" |
| | | | CU - Custom | 36" |
| GPA (Ground Post Arm) | | | | |



Ground Posts

QTY **Select when using GPA above (1 per fixture for 12" & 24" housing and 2 for 36" & 48" housing)**
 HBEXT-GPS Ground post mount

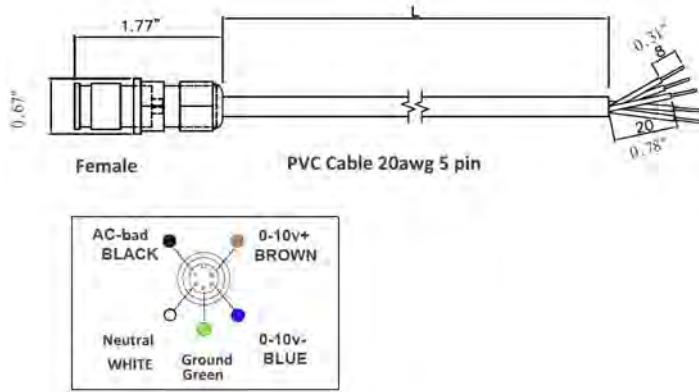
1ft & 2ft extrusions require one HBEXT-GPS. 3ft & 4ft extrusions require two HBEXT-GPS.



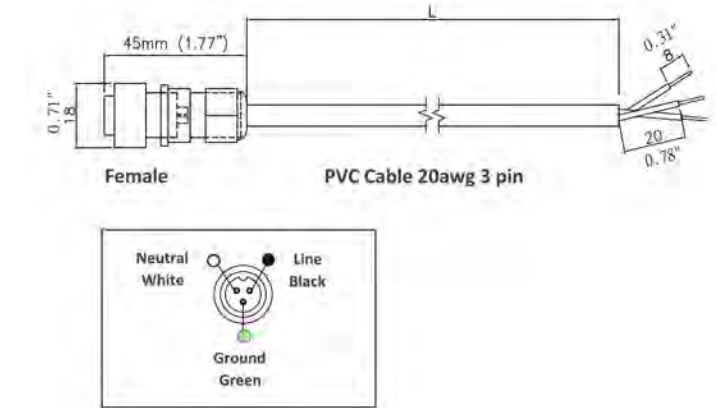
WIRING OPTIONS

WIRE LEAD

DESCRIPTION | **PART NUMBER**
 5 pin power / signal wire | AL-HB5P-xx"-W/L

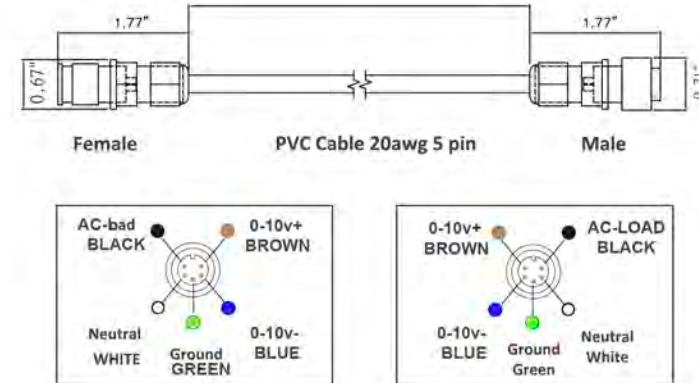


DESCRIPTION | **PART NUMBER**
 3 pin power wire | AL-HB3P-xx"-W/L

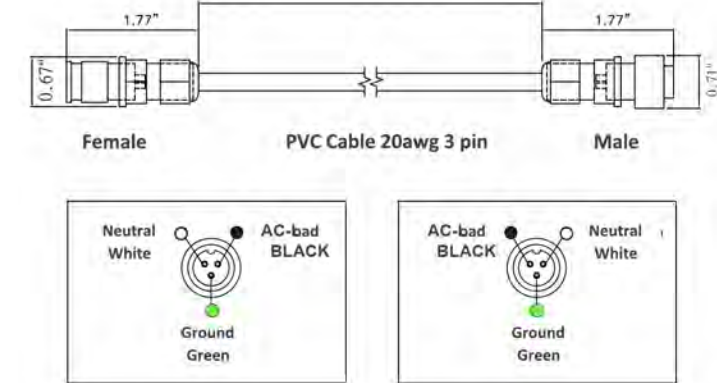


JUMPER CABLE

DESCRIPTION | **PART NUMBER**
 5 pin power / signal jumper | AL-HB5P-xx"-J



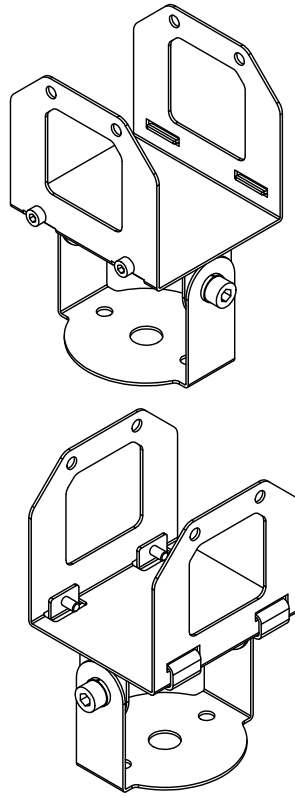
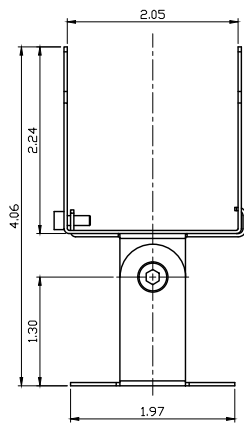
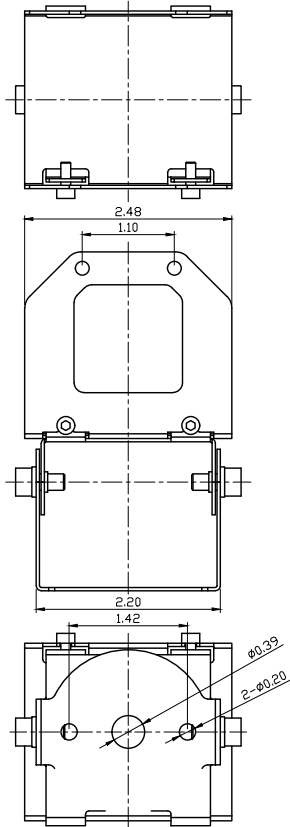
DESCRIPTION | **PART NUMBER**
 3 pin power jumper | AL-HB3P-xx"-J



MOUNTING BRACKETS

ADJUSTABLE BRACKETS

| DESCRIPTION | PART NUMBER |
|-------------------------|---------------------|
| HB52 Adjustable Bracket | AL-HB52 ADJ.Bracket |



SURGE PROTECTION DEVICE

SURGE PROTECTION

DESCRIPTION | **PART NUMBER** | The use of a surge protection device is necessary to maintain your warranty. Specifications are subject to change without notice.

Surge Protection Device | AL-LSP-UNV

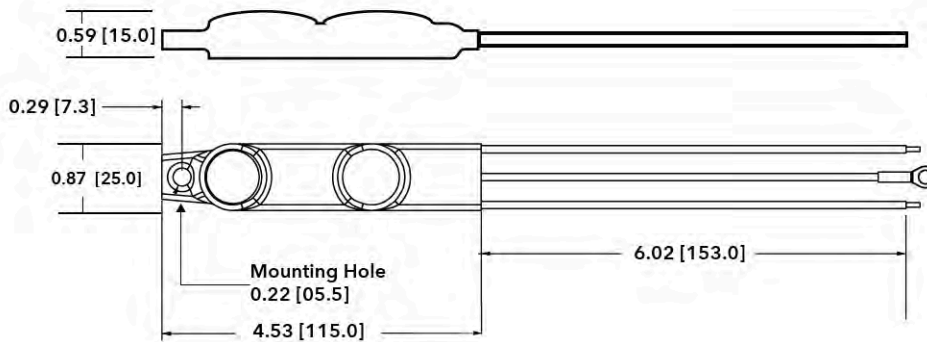
SPECIFICATIONS

| | | | |
|---------------------------------|--|------|------|
| Input Voltage | 120-277V (+/- 5%) | | |
| Frequency | 50Hz-60Hz | | |
| Maximum Continuous Voltage | 320V | | |
| Maximum Discharge Current | L-N 20kA; L-G, N-G 10kA (8/20Qs standard wave) | | |
| Nominal Discharge Current | 5kA | | |
| Measured Limiting Voltage (VpK) | L-N | L-G | N-G |
| | 1200 | 1320 | 1320 |
| Max Case Temperature | 85°C | | |

| PULSE RATING (8 X 20 SEC) | | |
|---------------------------|--------------|----------|
| Surge Level | # of Strikes | |
| | L-N | L-G, N-G |
| 10,000A | *2 | 1 |
| 6,500A | 4 | 2 |
| 5,000A | 30 | 15 |
| 2,000A | 200 | 100 |
| 700A | 20000 | 1000 |

*1 strike at 20,000A

MECHANICAL DIMENSIONS : IN (MM)



WIRING DIAGRAM

