

Supported Fixtures

LEDs	LEDs in any colour configuration (RGB, RGBW, 8-bit, 16-bit, tuneable white)
Automated Generic	Moving heads, yokes or scanners Downlights, spotlights, uplights, etc. via controllable dimmers, relays or ballasts
Fountain Jets Fixture Library	Fountain jets for fountain animation or other animatronics Pharos offers a cloud library with over 13,000 fixture profiles, for easy download of your luminaires

Output

DMX512	2 ports (max 512 channels each) USITT E1.11-2008
RDM	Supports discovery and addressing via Designer software
sACN	USITT E1.31 (with per fixture priority) standard
Art-Net	ArtNet, ArtNet II and ArtNet III (configurable broadcast override)
KINET	KINET V1 (DMX out) and V2 (Port out); PDS/Data Enabler discovery
Pathport	Pathway Connectivity protocol
DALI	Via RIO D (supplied separately)
Scalable Simultaneous	Synchronises with up to 40 Pharos Controllers over network Multiple protocols can be in operation simultaneously. Limited by patched channels, not universes used
EDN	Can natively integrate with and output DMX through the ports of the EDN (Ethernet Data Node, supplied separately)

Triggering & Integration

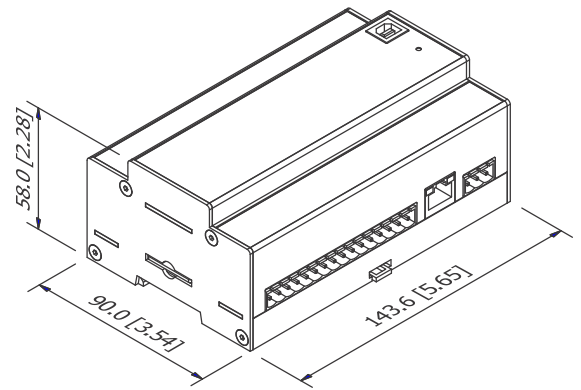
Startup	Commences programmed playback automatically on receiving power
Contact Closures	Connect an external volt-free switch between input and ground (internal 2.2k pull-up to 5V)
Digital In	Connect an external voltage source between input and ground (24V maximum; internal 2MΩ pull-down to 0V); software configurable low/high threshold
Analog In	Connect an external voltage source between input and ground (24V maximum); software-configurable range
Clock	Battery-backed real-time clock for calendar and time-based triggers
Astronomical	Sunrise/Sunset/Twilight and Lunar phases
Ethernet	UDP, TCP, Multicast; send/receive any Ethernet message
Serial Data	RS232, RS485; configurable port; send/receive free syntax in ASCII, HEX or decimal MIDI Notes, SysEx or Timecode
MIDI	Linear Timecode via RIO A (SMPTE, Film, EBU, NTSC)
Audio Level	Stereo 30-band spectrum analysis via RIO A
DMX eDMX	Trigger on changes within a range or entering a range sACN or Art-Net (option to pass-thru on local DMX output)
DALI	Trigger on any message, via RIO D
Web Interface	Built-in or custom designed
Wall Stations	Integrate with BPS, TPS or TPC
Conditions	Full conditional logic support
Scripting	Lua scripting for total flexibility
Scalable	Supports Pharos Remote Devices
IO Modules	Supports our extensive IO Module library for easy integration

Interfaces

Ethernet	RJ45 socket for 10/100Base-TX Ethernet with Link/Data LEDs; Static IP or DHCP; Dual IP address for eDMX
DMX512	Two isolated DMX ports, RDM compatible *
Serial	RS232 / RS485 / DMX in *
Inputs	Eight inputs, individually selectable operating mode for contact closure, digital or analog input *
MIDI In & Out	MIDI via 5-pin DIN 41524 socket
USB-B socket	USB 1.1 for connection to PC

Specifications

Certifications	CE compliant, ETL/cETL listed
Power	9V to 48V DC * or PoE (IEEE802.3af, Class 2) 4W typical
Data Storage	Removable SD Card (supplied)
Temperature	0°C to 50°C (32°F to 122°F)
Humidity	10-50% relative, non-condensing
Ingress	IP40
Physical	8 unit wide DIN rail mounting enclosure (DIN43880 / EN60715 (35/7.5 rail)) 0.5 kg (1.1 lbs) 20 x 15 x 12 cm (8" x 6" x 5") 0.8 kg (1.8 lbs)
Shipping	
Recovery	Hardware watchdog and recessed reset button
Warranty	5 years * Install-friendly 0.200" (5.08mm) plug in rising clamp connectors (included)



Order Code & Variants

LPC 1	Lighting Playback Controller 1 (512 channels DMX/eDMX)
LPC 2	Lighting Playback Controller 2 (1,024 channels DMX/eDMX)
LPC 4	Lighting Playback Controller 4 (2,048 channels eDMX incl 1,024 ch DMX)