

## SB8 HORIZONTAL REFRIGERATION LIGHTBAR

*LED ILLUMINATION SYSTEMS  
FOR MULTI-DECK REFRIGERATED CASES*





- 106 lm/w - High efficacy
- Single or joined fixtures for fast installation time.
- Low wattage, low voltage, low heat operation
- Increased energy savings
- Dimmable with Occupancy sensors

# SB8

HORIZONTAL OPEN CASES  
 4.5w/ft | 380lm/ft



## CANOPY | SHELF | CASE LIGHTING

The SB8 is designed to illuminate horizontal canopy, shelf and open cases. Top quality Nichia bin-sorted LEDs produce high quality, even illumination. Combined with proper color temperature, quality illumination can increase the customer impulse to purchase.

Fixtures are available in single for 4ft and 6ft cases or joined for 8ft and 12ft cases which can significantly reduce installation time and labor costs.

As an innovator in the LED refrigeration lighting market, we were awarded the DOE Gateway Freezer case study in 2006/2008. We were also one of the first companies to receive DLC Listings on our refrigeration fixtures.



**SPECIFICATIONS**

**LIGHT**

**Color Temperatures**

27k, 30k, 41k, 50k

**Beam Angle**

120°

**LED's**

Nichia bin-sorted

**PERFORMANCE**

**Watt/Lumen**

4.5w/ft | 380lm/ft

**Lumens/Watt**

106

**CRI**

85

**ELECTRICAL**

**Input Voltage**

24vdc

**Power Supply**

External

**Control**

Dimming

**Connection**

Single or joined system

**LED Life rating**

>100,000 hours

**PHYSICAL**

**Fixture Length Options**

46", 46"x2, 66", 66 x2"

**Max Run Length**

96w, (85% preferred, 90% max)

**Standard Mounting**

Flat or adjustable standard clips

**Optional Mounting**

Flat or adjustable magnetic clips

**Operating Temperature**

-40°F to 122°F, (-40°C to 50°C)

**ENVIRONMENT AND WARRANTY**

**Environment**

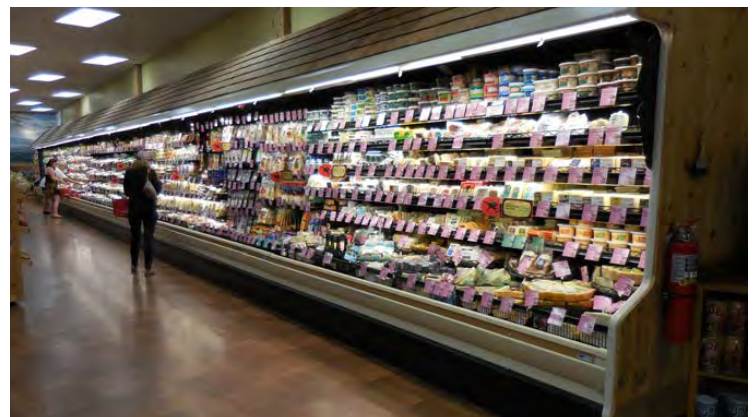
Damp locations

**Certifications**

UL, cUL, DLC

**Warranty**

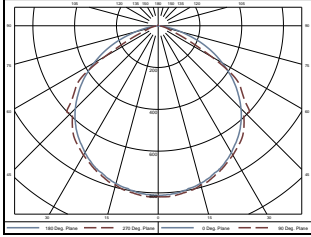
5 year limited warranty



**SPECIFICATIONS**

**BEAM ANGLE**

120° x 120°



**COLOR TEMPERATURES**



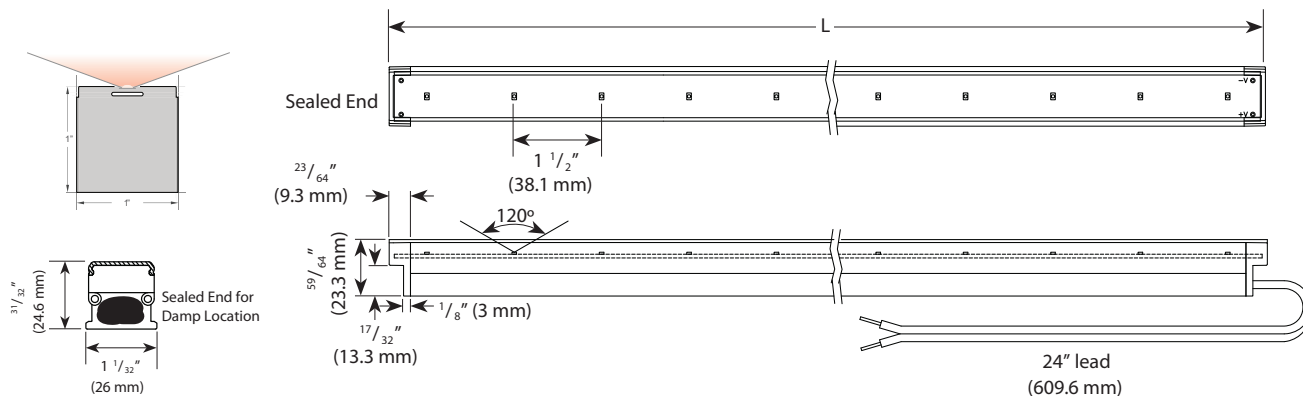
**DIMENSIONS AND DATA**

MODEL	Voltage	Length	Watts/ Fixture	Lumens/ Fixture	Lumens/ Watt	Systems Wattage	Systems w/ft
SB8-46-XXX-24V-W/L	24VDC	46" single	17.25w	1550	106	14.6w	4.5w
SB8-46-XXX-24V-J		92" joined	34.50w	3100		29.3w	
SB8-66-XXX-24V-W/L		66" single	24.75w	2222		21.0w	
SB8-66-XXX-24V-J		132" joined	49.50w	4444		42.1w	

**CONFIGURATION**

	46"	68"
4FT SHELF	X	
6FT SHELF		X
8FT SHELF	2X	
12FT SHELF		2X

**PROFILE**



## ORDER FORM

### CREATE YOUR FIXTURE

Ex. SB8-46"-41K-24V-W/L

MODEL	LENGTH	COLOR	VOLTAGE	LAYOUT
SB8	46" 66"	27k 30k 41k 50k 2700k 3000k 4100k 5000k	24V 24vdc	W/L J 1 fixture Joined 2 fixtures

### MOUNTING

QTY	MOUNTING BRACKETS - 2 PER FIXTURE
	AL-SB-FLAT CLIP Flat mounting clip
	AL-SB-FLAT MAG CLIP Flat magnetic mounting clip
	AL-SB ROTO CLIP Adjustable mounting clip
	AL-SB ROTO MAG CLIP Adjustable magnetic mounting clip



### POWER SUPPLIES

QTY	POWER MULTIPLE FIXTURES ON ONE POWER SUPPLY
	LV-100-24-N 100w 24v power supply - 120-277v input Constant voltage, Class 2
	LV-80-24-N 80w 24v power supply - 120-277v input Constant voltage, Class 2

- Select an 80w (LV-80W) or 100w (LV-100W) power supply based on the case layout and total wattage of the run.
- Do not exceed maximum run length.

### MOUNTING AND INSTALLATION

- Attach mounting clips to mounting surface and then snap light bar into the mounting clips.
- Connect the wires from the fixture to the power supply according to the case/wattage layout with proper UL wire nuts. \*not included
- Connect the power supply to power by connecting input wires to line voltage according to power supply instructions.