

# SB8

POWERFUL | LOW PROFILE  
4.35w/ft - 380lm/ft



## LINEAR LED LIGHTBAR

### Interior:

**Under Cabinet | Valances | Cove | Grazing | Wall Lighting**

Elevate interior spaces with The Smart Lighting Company SB8 Series luminaire, designed to seamlessly integrate into a variety of indoor applications including under cabinet lighting, valances, cove accents, and wall illumination. This spec-grade fixture illuminates with precision, casting 380 lumens per foot, controlled by a 24v remote driver featuring smooth 0-10v and ELV dimming capabilities. Engineered for connectivity, fixtures can be effortlessly linked with a seamless connector, ensuring an elegant and continuous lighting experience. With energy-efficient Nichia bin-sorted LEDs, plus multiple options for fixture length, beam angle, CCT, mounting, and housing, the SB8 not only delivers high-quality light favored by professionals but also optimizes power usage to fulfill our commitment to cost-effective, yet superior lighting solutions.



## SPECIFICATIONS

### PERFORMANCE

#### Output

4.35w/ft - 380lm/ft

#### Color Temperatures

22k, 27k, 30k, 35k, 41k, 50k, 65k, R, G, B, A

#### Beam Angles

15°, 20°, 30°, 45°, 120°, 30°x60°

#### LEDs per Foot

12

#### LED's

Nichia bin-sorted

#### Color Consistency

2 SCDM

#### CRI

84 std, 90+ optional

### ELECTRICAL

#### Input Voltage

24vDc

#### Power Supply

External

#### Control

0-10v dimming / ELV

#### Heat dissipation

Full thermal management system

#### Connection

Quick connect plug and play system  
(power and signal in one cable)

#### Projected Lumen Maintenance

>90,000 hours

### PHYSICAL

#### Fixture Length Options

12", 24", 36", 48", 60", 66"

#### Max Run Length

96w, 22ft

#### Housing

Extruded aluminum, tooled end caps

#### Lens

Polycarbonate

#### Fixture Finish (Standard)

Anodized aluminum

#### Powder Coated Finish (Optional)

Black, Bronze, White, CU

#### Standard Mounting

Adjustable or flat brackets

#### Operating Temperature

-40°F to 122°F, (-40°C to 50°C)

### ENVIRONMENT AND WARRANTY

#### IP Rating

IP44

#### Environment

Dry or Damp locations  
0-100% non-condensing humidity

#### Certifications

UL, cUL

#### Warranty

5 year limited warranty



**ORDER FORM**

**CREATE YOUR FIXTURE**

Ex. SB8-36-27K-30D-24V

MODEL	LENGTH	COLOR	OPTICS
SB8	12" 12 inches	22k 2200k R Red	15 15°x15°
	24" 24 inches	27k 2700k G Green	30 30°x30°
	36" 36 inches	30k 3000k B Blue	45 45°x45°
	48" 48 inches	35k 3500k A Amber	3060 30°x60°
	60" 60 inches	41k 4100k	120 120°x120°
	66" 66 inches	50k 5000k	
		65k 6500k	

**VOLTAGE**

24 24vdc

**SELECT CONNECTION**

**Wire Lead**

QTY **STRAIGHT**

AL-SB-EXT-ST-12"-W/L 12" (1ft) Straight wire lead

AL-SB-EXT-ST-72"-W/L 72" (6ft) Straight wire lead

QTY **90 DEGREE**

AL-SB-EXT-90D-12"-W/L 12" (1ft) 90° wire lead

AL-SB-EXT-90D-72"-W/L 72" (6ft) 90° wire lead

\* 1 wire lead required for each run.

**End Cap**

QTY AL-SB-ENDCAP End cap for fixture output at end of run

\* 1 End cap required at the end of each

**Jumper Cable**

QTY **STRAIGHT**

AL-SB-EXT-ST-6"-J 6" Straight jumper

AL-SB-EXT-ST-12"-J 12" Straight jumper

QTY **90 DEGREE**

AL-SB-EXT-90D-12"-J 6" 90° jumper

AL-SB-EXT-90D-72"-J 12" 90° jumper

\* Fixtures are end to end connected with butt connectors. Use jumpers if space is needed between fixtures.

**Seamless Connectors**

QTY AL-SB-BUTT CONNECTOR Seamless connector

**SELECT POWER SUPPLIES**

QTY **CONSTANT VOLTAGE - BASED ON RUN LENGTHS**

PS-TSLC-UNV-24V-96WDHV2 24v 96w power supply, 0-10v, ELV, TRIAC dimming, wet location

PS-TSLC-UNV-24V-60WDHV2 24v 60w power supply, 0-10v, ELV, TRIAC dimming, wet location

PS-TSLC-UNV-24V-30WDHV2 24v 30w power supply, 0-10v, ELV, TRIAC dimming, wet location

PS-TSLC-UNV-24V-288WDHV2 24v 288w (96wx3)power supply, 0-10v, ELV, TRIAC dimming, wet location

**SELECT MOUNTING**

QTY **MOUNTING BRACKETS - 2 REQUIRED PER FIXTURE**

AL-SB-FLAT CLIP Flat mounting clip

AL-SB-ROTO CLIP Adjustable mounting clip

**ADDITIONAL OPTIONS**

**Optional Powder Coated Finish**

QTY **Powder coated finishes available for additional cost**

BK Black

BZ Bronze

WH White

CU Custom

\* Fixture housing is anodized aluminum standard

**0-10V Dimmer**

QTY LUT-DVSTV-WH 0-10V dimmer switch

**Surge Protection**

QTY LSP4-UNV 120/277v surge protector

## WIRING OPTIONS

### WIRE LEAD

#### DESCRIPTION

Straight wire lead

#### PART NUMBER

AL-SB-EXT-ST-xx-W/L



#### DESCRIPTION

90 degree wire lead

#### PART NUMBER

AL-SB-EXT-90d-xx-W/L



### JUMPER CABLE

#### DESCRIPTION

Straight jumper

#### PART NUMBER

AL-SB-EXT-ST-xx-J



#### DESCRIPTION

90 degree jumper

#### PART NUMBER

AL-SB-EXT-90d-xx-J



### SEAMLESS CONNECTOR

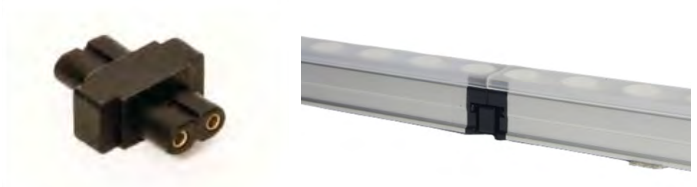
#### DESCRIPTION

Fixture connector

#### PART NUMBER

AL-SB-BUTT CONNECTOR

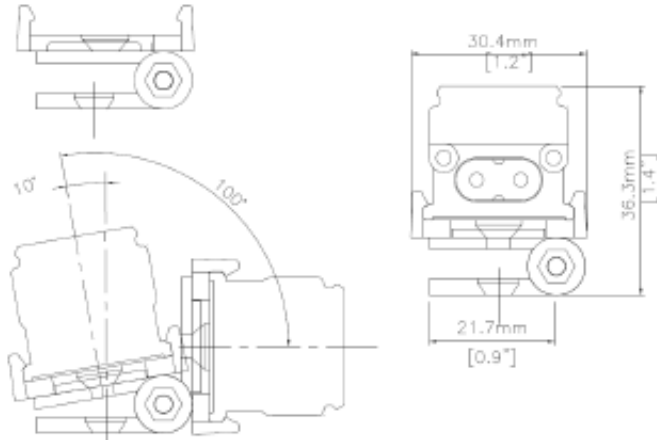
Easy seamless installation to form a brilliant continuous light strip.



## MOUNTING BRACKETS

### ADJUSTABLE BRACKETS

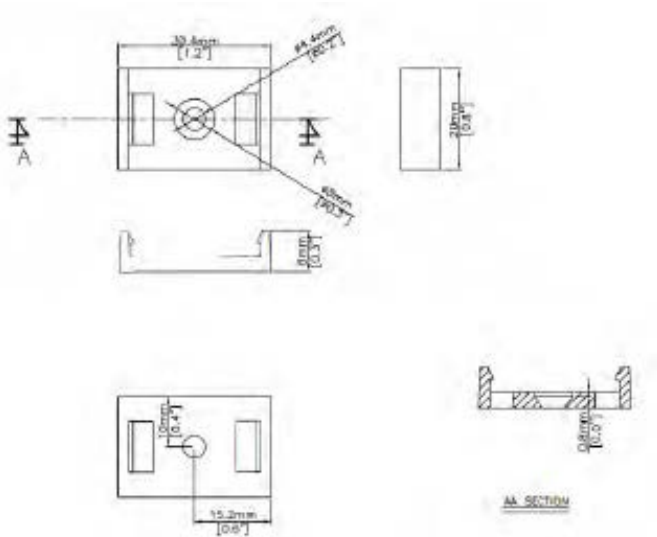
DESCRIPTION	PART NUMBER
SB12 Adjustable Bracket	AL-SB-ROTO CLIP



Adjustable Mounting Clip

### FLAT BRACKETS

DESCRIPTION	PART NUMBER
SB12 Flat Bracket	AL-SB-FLAT CLIP



Flat Mounting Clip



# SURGE PROTECTION DEVICE

## SURGE PROTECTION

**DESCRIPTION** | **PART NUMBER** | The use of a surge protection device is necessary to maintain your warranty. Specifications are subject to change without notice.

Surge Protection Device | AL-LSP-UNV

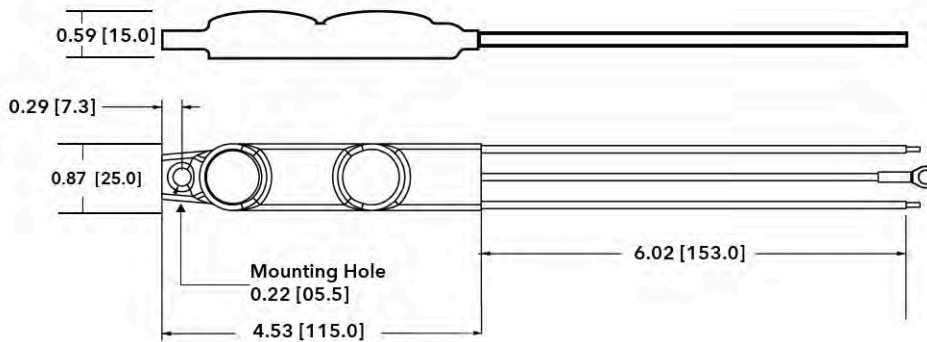
### SPECIFICATIONS

Input Voltage	120-277V (+/- 5%)		
Frequency	50Hz-60Hz		
Maximum Continuous Voltage	320V		
Maximum Discharge Current	L-N 20kA; L-G, N-G 10kA (8/20Qs standard wave)		
Nominal Discharge Current	5kA		
Measured Limiting Voltage (VpK)	L-N	L-G	N-G
	1200	1320	1320
Max Case Temperature	85°C		

PULSE RATING (8 X 20 SEC)		
Surge Level	# of Strikes	
	L-N	L-G, N-G
10,000A	*2	1
6,500A	4	2
5,000A	30	15
2,000A	200	100
700A	20000	1000

\*1 strike at 20,000A

### MECHANICAL DIMENSIONS : IN (MM)



### WIRING DIAGRAM

