

SmartRail Modular Handrail System



949-346-3456

www.thesmartlightingcompany.com
sales@thesmartlightingcompany.com

The SmartRail Modular Handrail System

- SmartRail is customized based on your project requirements and is optimized for new or retrofit applications.
- Modular systems: parts are shipped and assembled onsite with detailed installation instructions to build your railing system.
- SmartRail is shipped in 16'4" lengths and cut in the field to size.
- LEDs are made with a UL listed, high-quality silicone to ensure: their impact and weather resistance, that they produce a strong output that does not yellow over time, and they maintain their flexibility.



SmartRail System Types

Round, 316 Stainless Steel



Square, 316 Stainless Steel

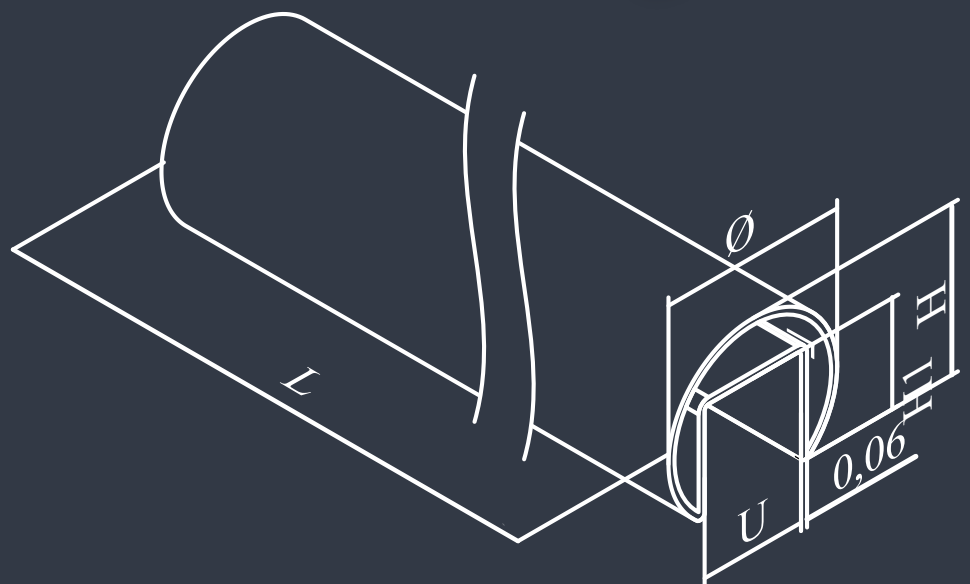


Rectangle, Aluminum



Round SmartRail Mounting Styles

- Cap rail available for 1.9" and 1.66" diameter
- Wall or post mounted (Round or Square posts).
- Many options for creating your rail such as adjustable angles, wall returns, and end caps.
 - Post mount – Embedded
 - Post mount – Surface
 - Post mount – Flange
 - Wall mount
 - Glass mount



Round Rail options

Handrail Mounting and Bracket options



Adjustable Post Mount



Fixed Post Mount

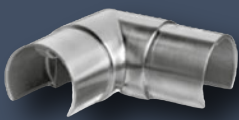


Wall Mount Bracket

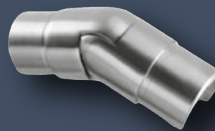


Glass Mount Bracket

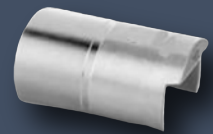
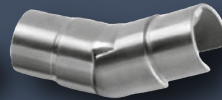
Corner and Stairway options



90° Connectors



Adjustable Connectors for Stairs



Tube to Cap Rail Connectors

End and Return options



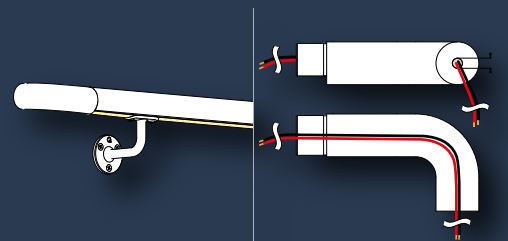
End Fitting

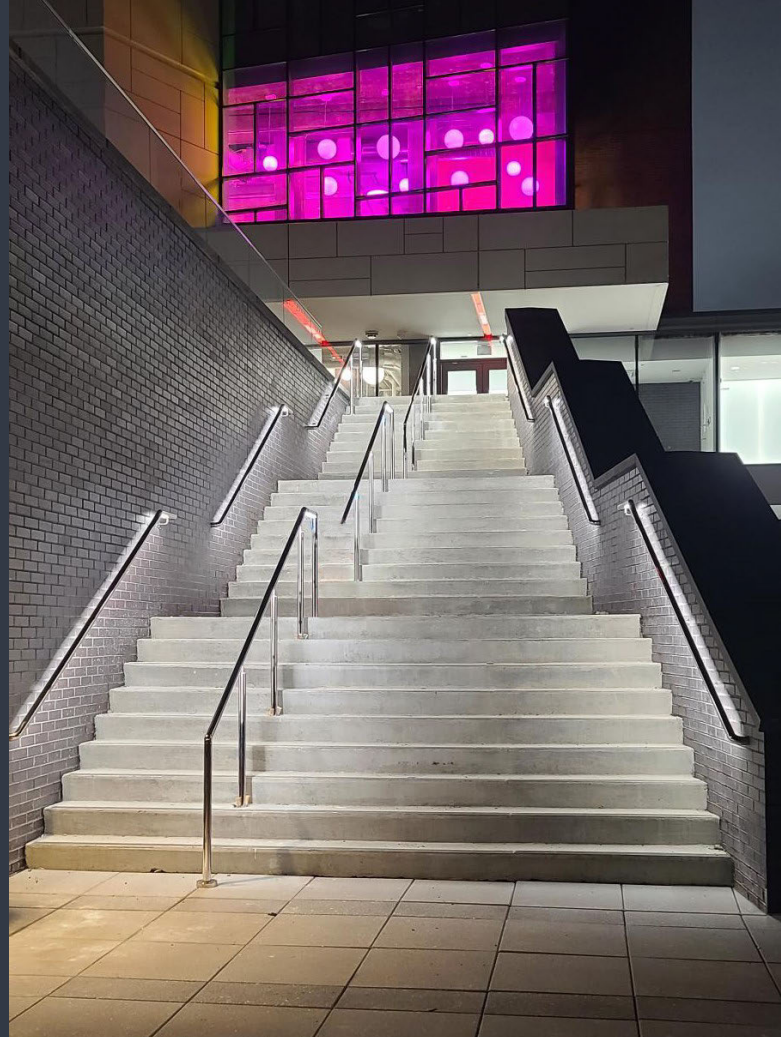


End Cap



Wall Return



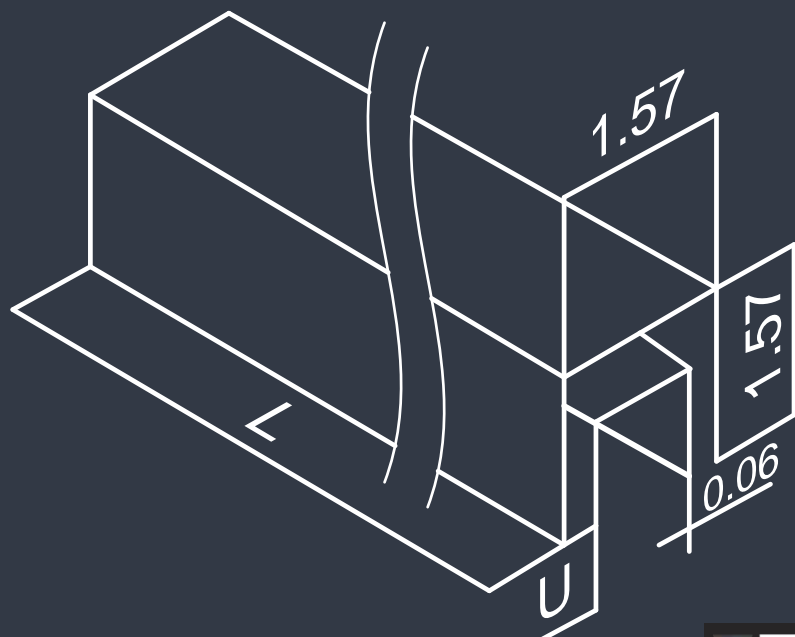
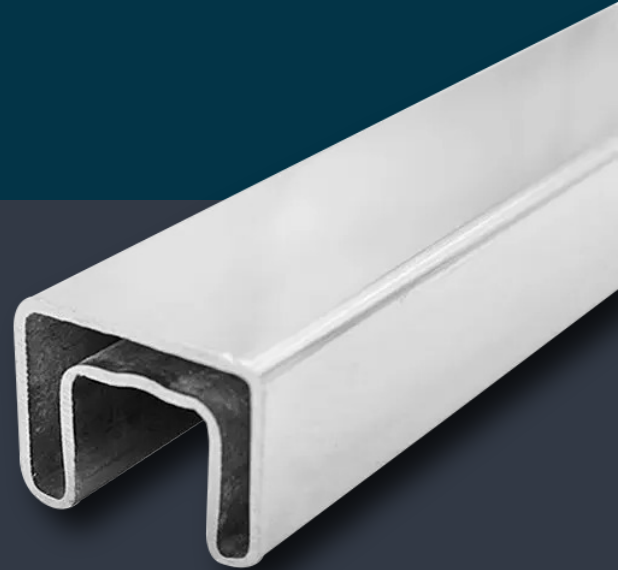


Round SmartRail Applications



Square SmartRail Mounting Styles

- Cap rail available in 1.57" x 1.57" diameter
- Wall or post mounted (round or square posts).
- Many options available for creating your rail such as adjustable angles, wall returns, and end caps.
 - Post mount – Embedded
 - Post mount – Surface
 - Post mount – Flange
 - Wall mount
 - Glass mount



Square rail options

Handrail Mounting and Bracket options



Adjustable Post Mount

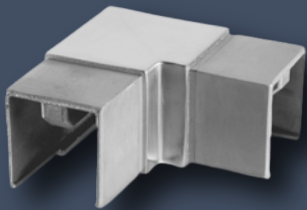


Fixed Post Mount

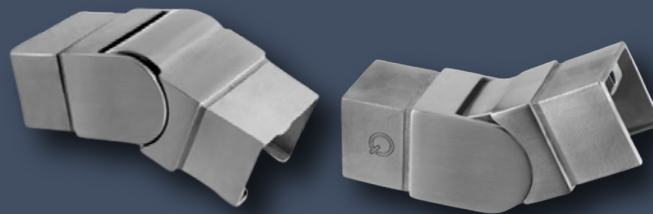


Post Mount Bracket

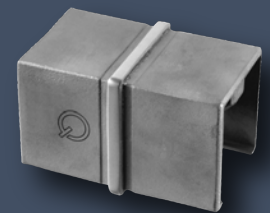
Corner and Stairway options



90° Connectors



Adjustable Connectors for Stairs

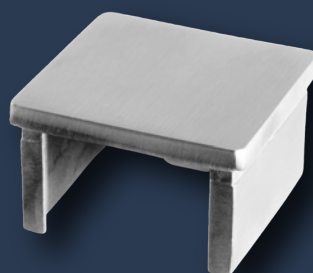


Tube to Cap Rail Connectors

End and Return options



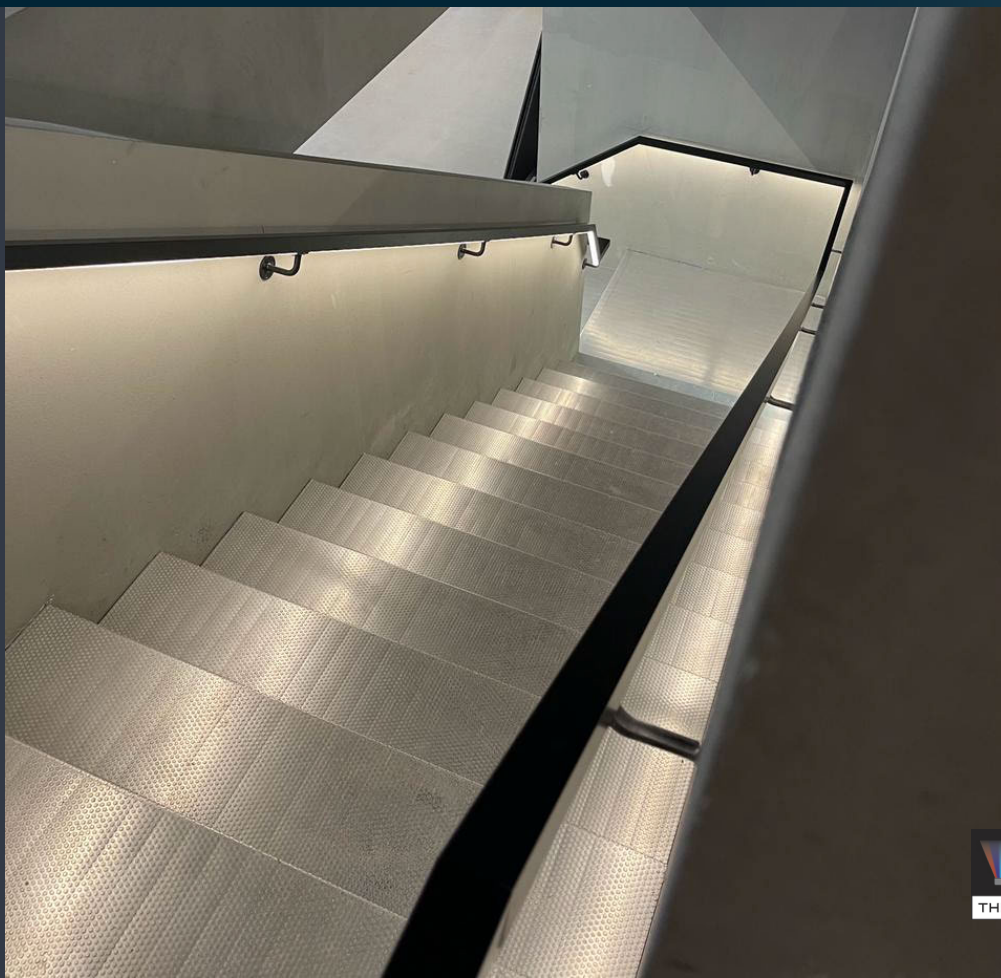
End Fitting



End Cap

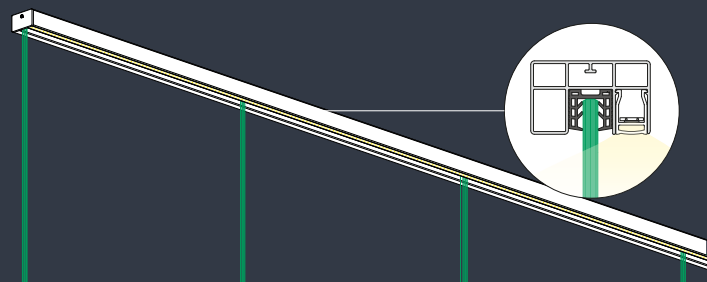
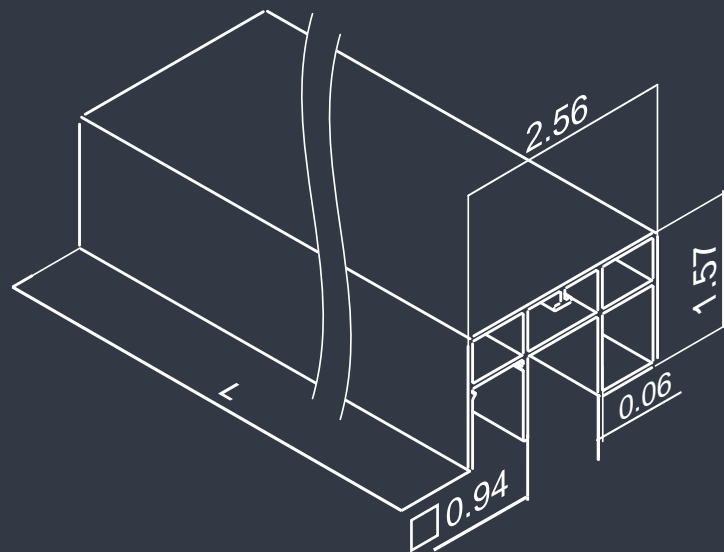


Square SmartRail Applications

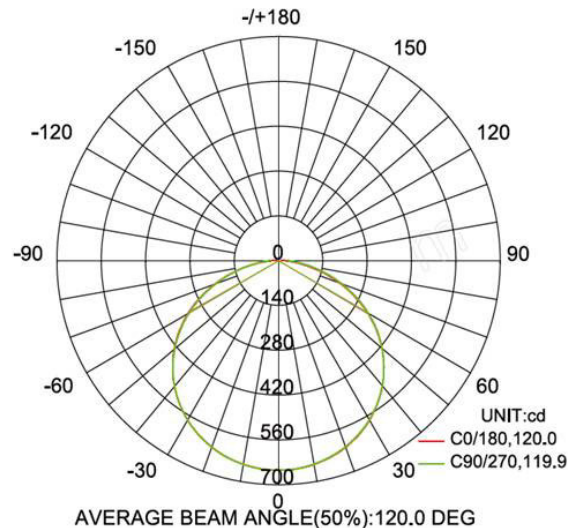


Rectangle SmartRail Mounting Styles

- Cap rail available in 2.56"x1.57" diameter
- Glass mounted only (glass by others)
- Many different components available for creating your unique and customized rail system



SmartRail Illumination Options



➤ Lighting

- Continuous LED Strips
- UL Listed
- 32'-8" standard lengths
- Dimmable – 0-10v, MLV, ELV
- Wet location IP67 rated

➤ Lighting Output

- Low - 1.4w/ft – 170lm/ft
- Med - 2.4w/ft – 310lm/ft
- High - 4.6w/ft – 550lm/ft

➤ LED Colors

- 2700k
- 3000k (quick ship)
- 3500k
- 4000k (quick ship)
- 5000k
- RGBW

➤ Lens

- Clear
- Frosted

SmartRail Infill Options

Cable infill



Bar infill



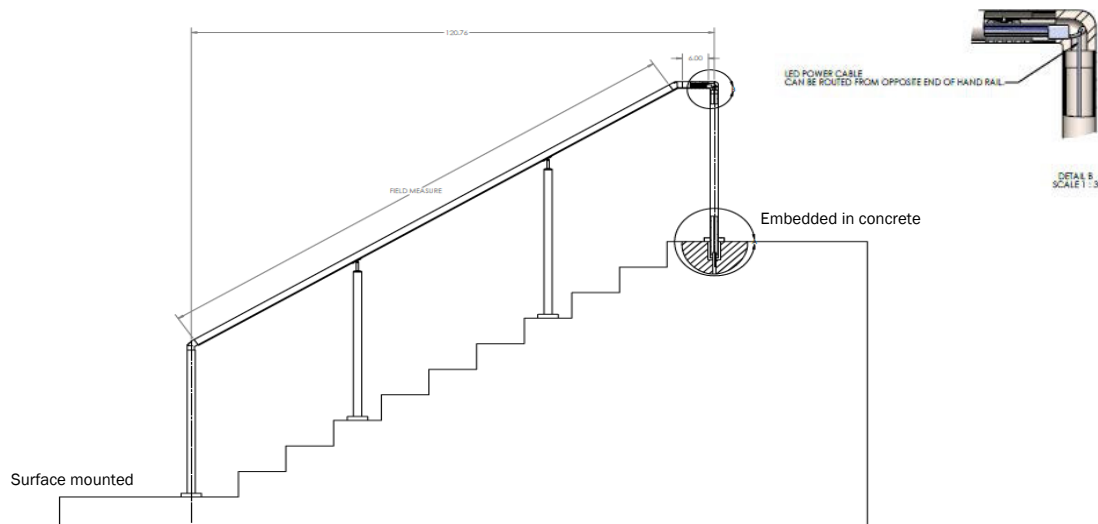
Glass clamps for glass infill



SmartRail Technical Drawings

Upon ordering, we create drawings for your specific project showing each section with all the parts; we make sure you know how to put it together! Our customized installation instructions ensure easy and accurate field installation.

POST MOUNTED STAIRWAY EXAMPLE



WALL MOUNTED STAIRWAY EXAMPLE

