

Neon SERIES

360° Omni-Directional Tube - Static colors, TW, RGB



Features

- Circular tube with 360 degree light emitting
- Uniform, dot-free, smooth performance
- Available in White, CCT, RGB and RGBW
- 90+ CRI
- Lumen output - Up to 380lm/ft
- 16.4ft and 49.2ft. max run length*
- Diameter in 0.98in
- IP67 for indoor and outdoor applications.
- Dimmable with PWM signal
- 50,000 hours rated lifespan
- 5 year warranty

Application

Omni-Directional LED tube for decorative and ambient lighting in hotels, restaurants, retail, gyms, showrooms, kitchens and more. Horizontal and Vertical mounting options by suspension or acrylic tubes.

FNS-360

Our Dual Bend 360° Neon Series boasts 360° of uniform, dot free illumination and is IP67 rated for indoor or outdoor wet locations.

The Omni-Directional tube has excellent brightness and color consistency. Made with a silicone jacket, high grade appearance, soft bend flexibility, strong impact resistance, high tear resistance and high weather resistance.

Easily customizable precut in the factory, the FNS-360 can be used in many different applications and can be fabricated to the specifications of your project.



Specifications and Performance

	STATIC WHITE	STATIC WHITE ULTRA LONG	TUNABLE WHITE	RGB	RGBW
Watts per Foot	4.27	3.66	5.49	5.49	5.49
Max Run Length	16.4ft	49.2ft	16.4ft	16.4ft	16.4ft
Cuttable (factory cut only)	Free Cutting	Free Cutting	1.79"	2.46"	1.97"
Lumens per Foot	305lm	259lm	381lm	220lm	192lm
Lumens per Watt	71lm/w	71lm/w	69lm/w	40lm/w	35lm/w
LEDs Per Foot	98	98	188	68	73
Input Voltage	24vdc	48vdc	24vdc	24vdc	24vdc
Beam Spread	360°				
CRI	90+				
LED Lifespan	L70 ≥50,000 @ Tc ≤ 65				
Dimming	PWM				
Dimensions	0.98"				
CCT	2700k, 3000k, 4000k, 5000k, 6000k, TW, RGB, RGBW				
Operating Temp	-4°F to 113°F (-20°C to 45°C)				
Ambient Temp	-4°F to 140°F (-20°C to 60°C)				
Environment	IP67				
Warranty	5 Year				
Certifications	CE, UL, RoHS,				

NEON SERIES ORDERING INFORMATION

Ordering

Example: FNS360-xxK-xxL-xxW/FT-xxCRI-24VDC

Part No.	Style	Color Temp			Length		Voltage	
FNS FNSUL <i>*FNSUL only for static white 48vdc</i>	360 360 Series	27	2700k	16 49 CU Custom Length <small>see pg.2 for cutting lengths</small>	16.4ft 49.2ft* <i>*Only for FNSUL -48vdc</i>	24 48	24vdc 48vdc*	<i>*(only for FNSUL)</i>
		30	3000k					
		40	3500k					
		50	4000k					
		60	5000k					
		TW	Tunable white					
		RGB RGBW	RGB RGBW					

Accessories

Static White Accessories

AL-FNS360-SW-RF-WL Rear Power Feed, 11.8" lead cable with front and end cap for Static White

AL-FNS360-SW-SURF Surface mount bracket (1 meter per clip)

AL-FNS360-SW-CLIPS Ceiling mount clip

AL-FNS360-SW-SUSP Suspended ceiling mounted (1 meter per clip)



RGB & Tunable White Accessories

AL-FNS360-TW-RF-WL Rear Power Feed, 11.8" lead cable with front and end cap for Tunable White and RGB

AL-FNS360-TW-SURF Surface mount bracket (1 meter per clip)

AL-FNS360-TW-CLIPS Ceiling mount clip

AL-FNS360-TW-SUSP Suspended ceiling mounted (1 meter per clip)



Recommended Power Supplies

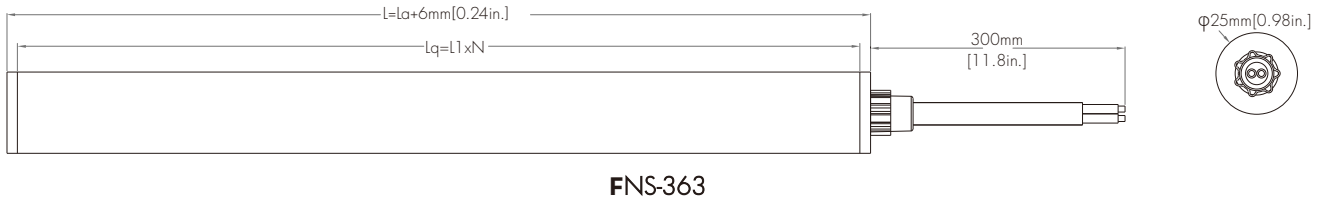
Dimmable with 0-10v, ELV, MLV, TRIAC



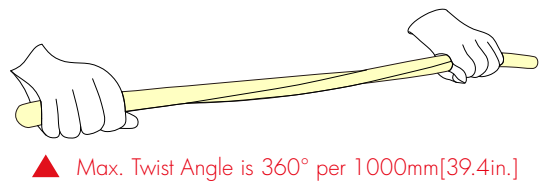
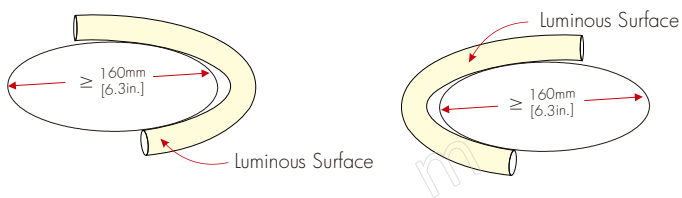
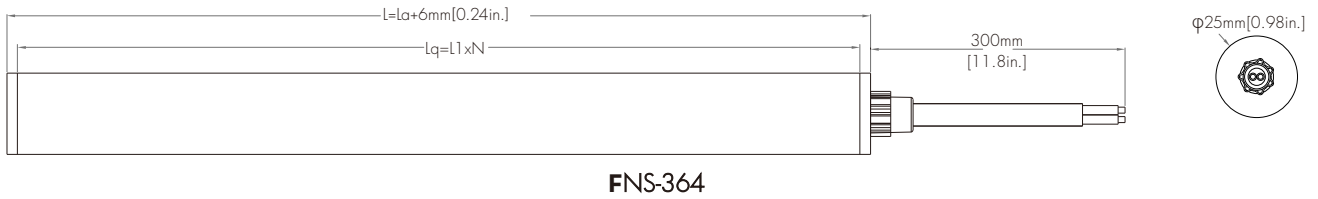
Item Number	Description	Max/Min Load	Input Voltage	Output Voltage	Dimmable	Dimensions
PS-TSLC-UNV-24V-30WDHV2	30W	30W / 3W	100-277V AC	24V DC	Yes*	6.49"L x 3.6"W x 1.02"H
PS-TSLC-UNV-24V-60WDHV2	60W	60W / 6W	100-277V AC	24V DC	Yes*	7.4"L x 3.6"W x 1.02"H
PS-TSLC-UNV-24V-96WDHV2	96W	96W / 9.6W	100-277V AC	24V DC	Yes*	8.66"L x 3.6"W x 1.61"H
PS-TSLC-UNV-24V-288WDHV2	288W (3 x 96W)	288W / 28.8W	100-277V AC	24V DC	Yes*	11.85"L x 4.25"W x 1.8"H

Diagram & Dimensions

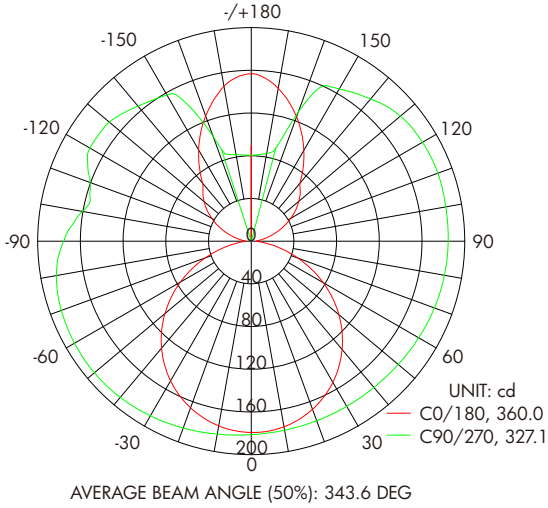
Power Rear Feed



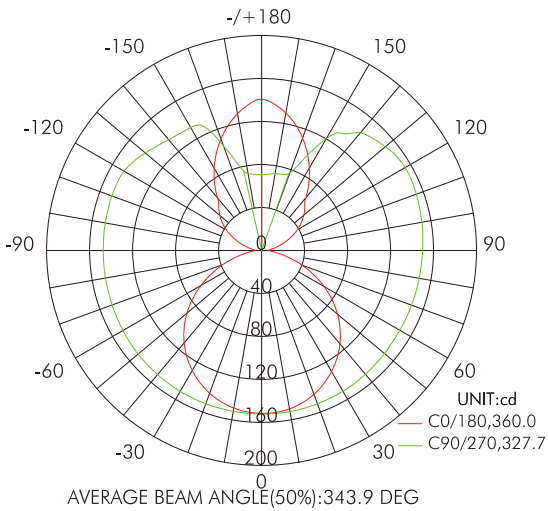
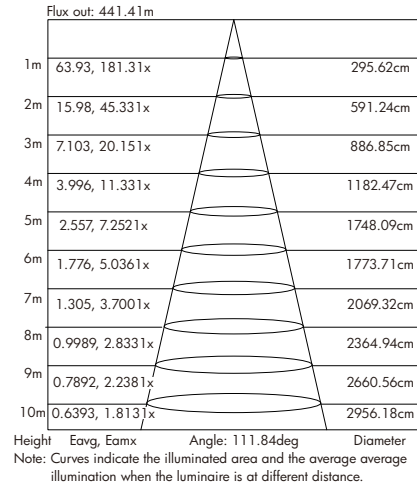
Power Rear Feed



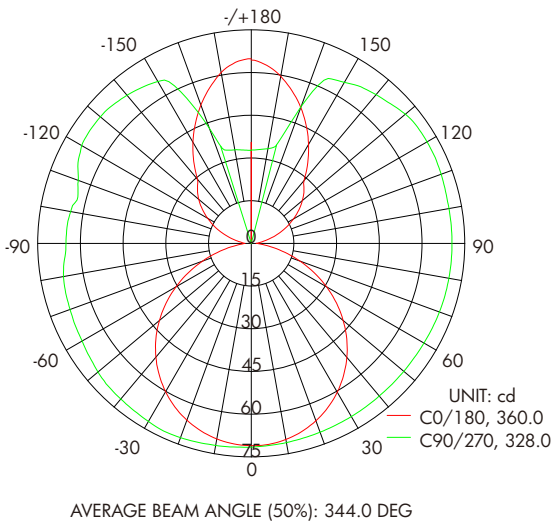
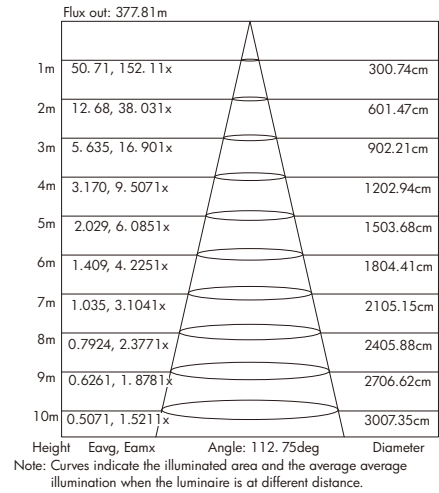
Light Distribution



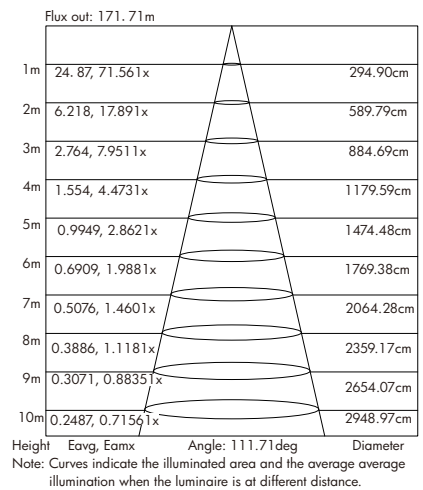
FNS-360, White, 4000K, CRI90



FNS-360, CCT, 2700-6000K, CRI90

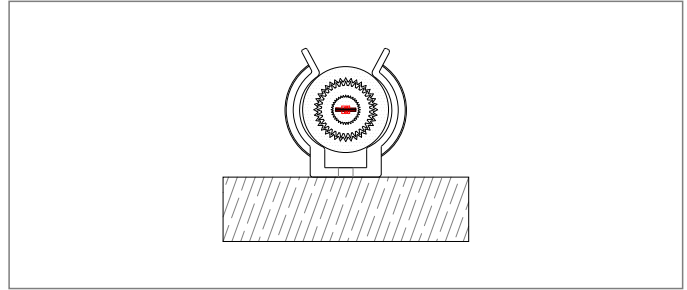
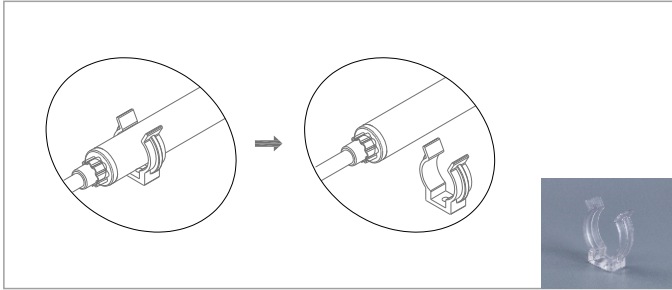


FNS-360, RGB

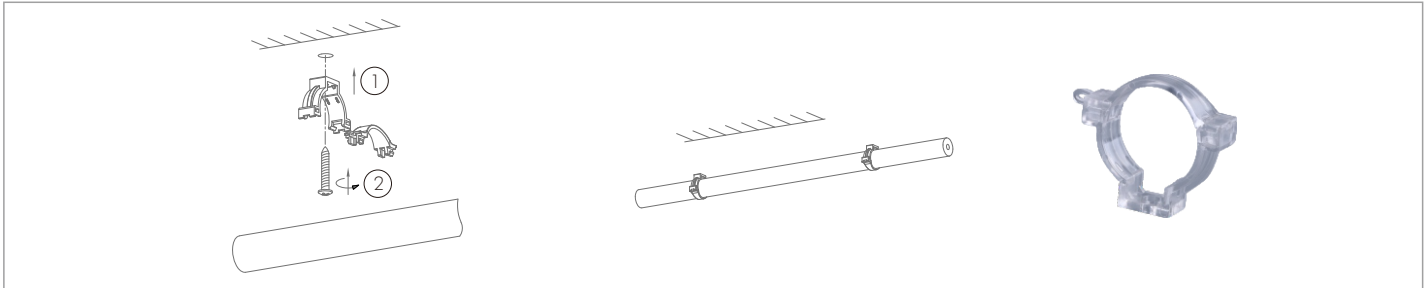


Installation

Surface mounting by bracket.



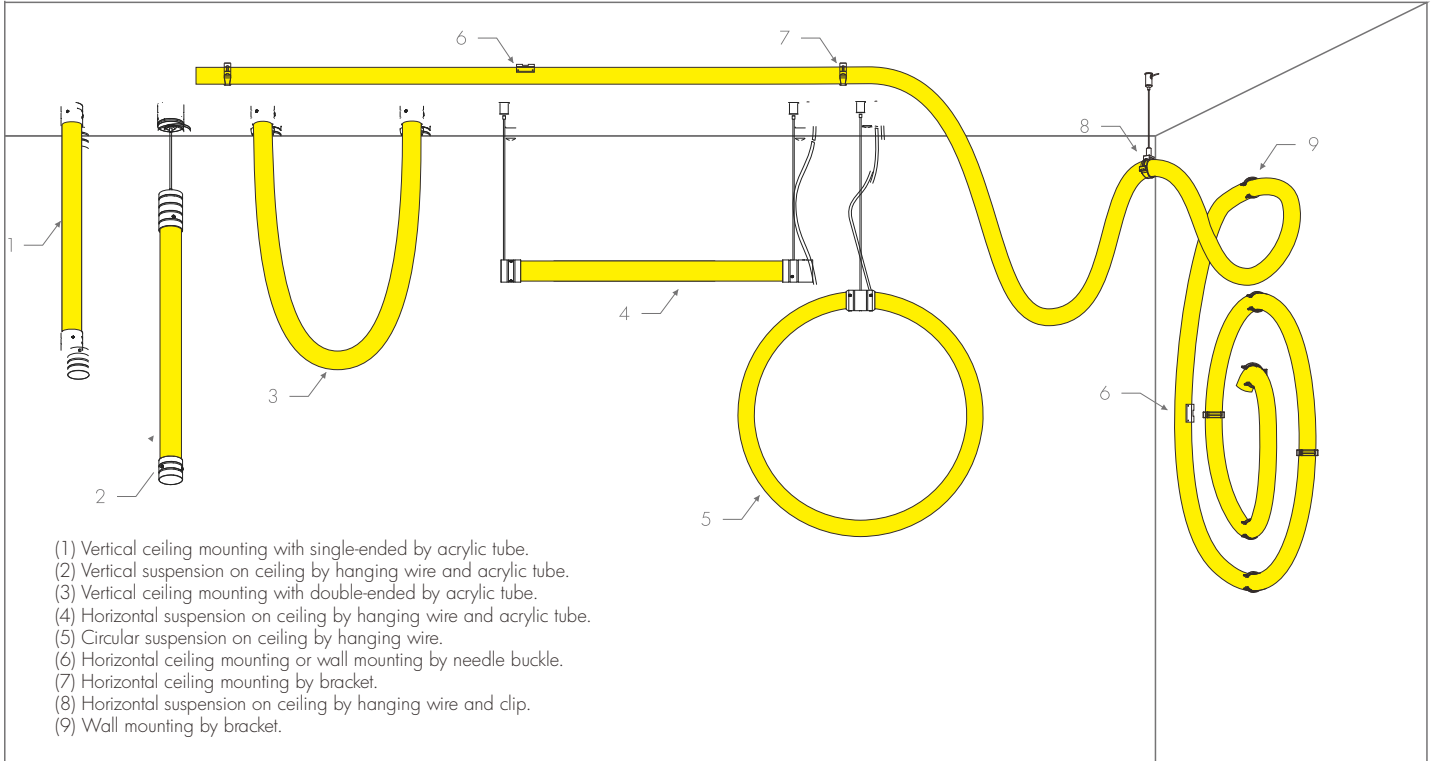
Ceiling mounting by clip.



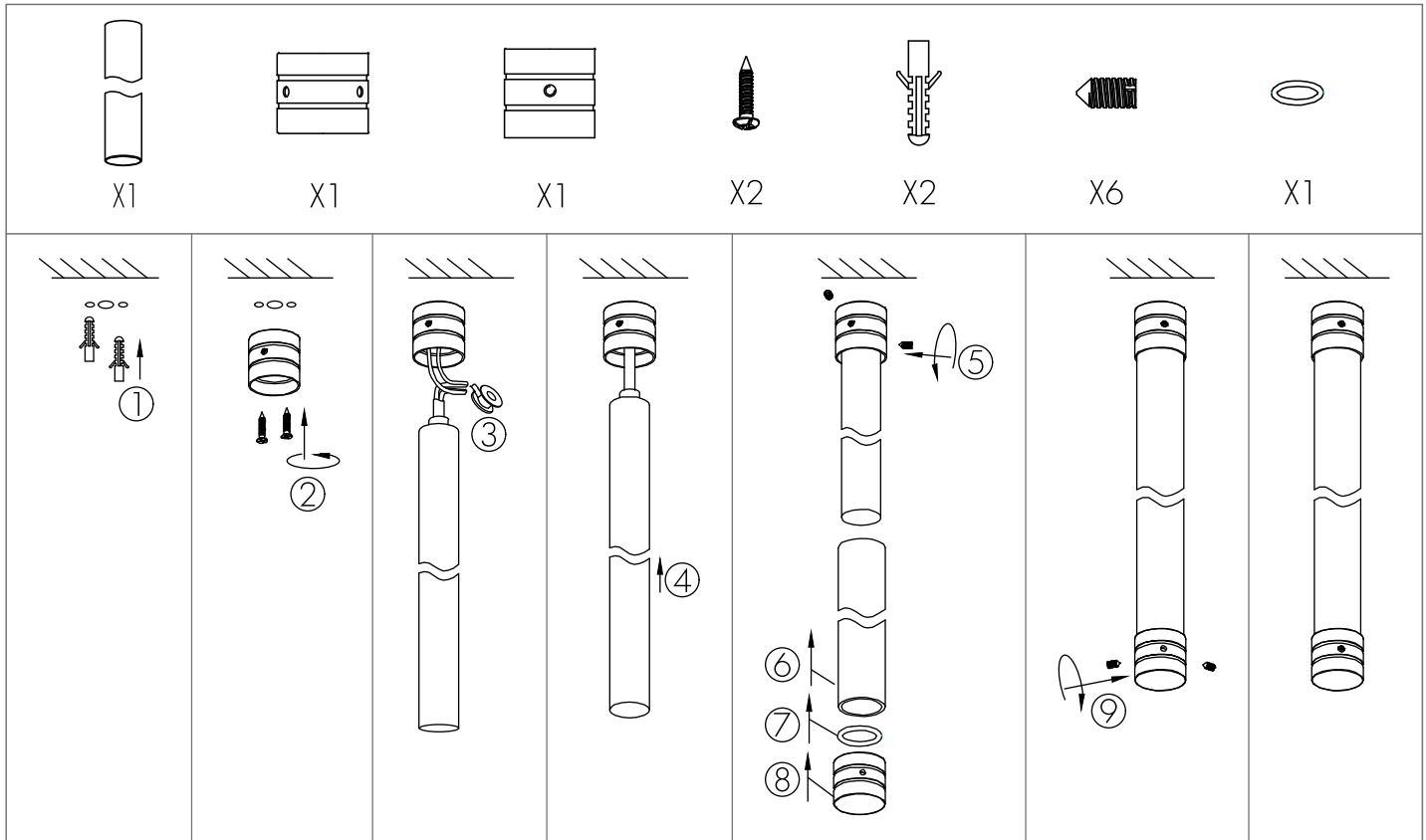
Ceiling mounting by suspension kit.

<p>1</p> <p>① ② ③</p>	<p>2</p> <p>① ②</p>	<p>3</p> <p>① ② ③</p>	<p>4</p> <p>① ②</p>	
<p>Drill a hole and fix the sleeve to the ceiling by screw.</p>	<p>Screw in the suspension rope to the sleeve, and then adjust the rope's length.</p>	<p>Mount the clip to the suspension rope.</p>	<p>Place the neon strip into the clip, and then fasten the clip by clamping.</p>	<p>The length of suspension rope is field adjustable when pressing the sleeve as shown.</p>

Installation

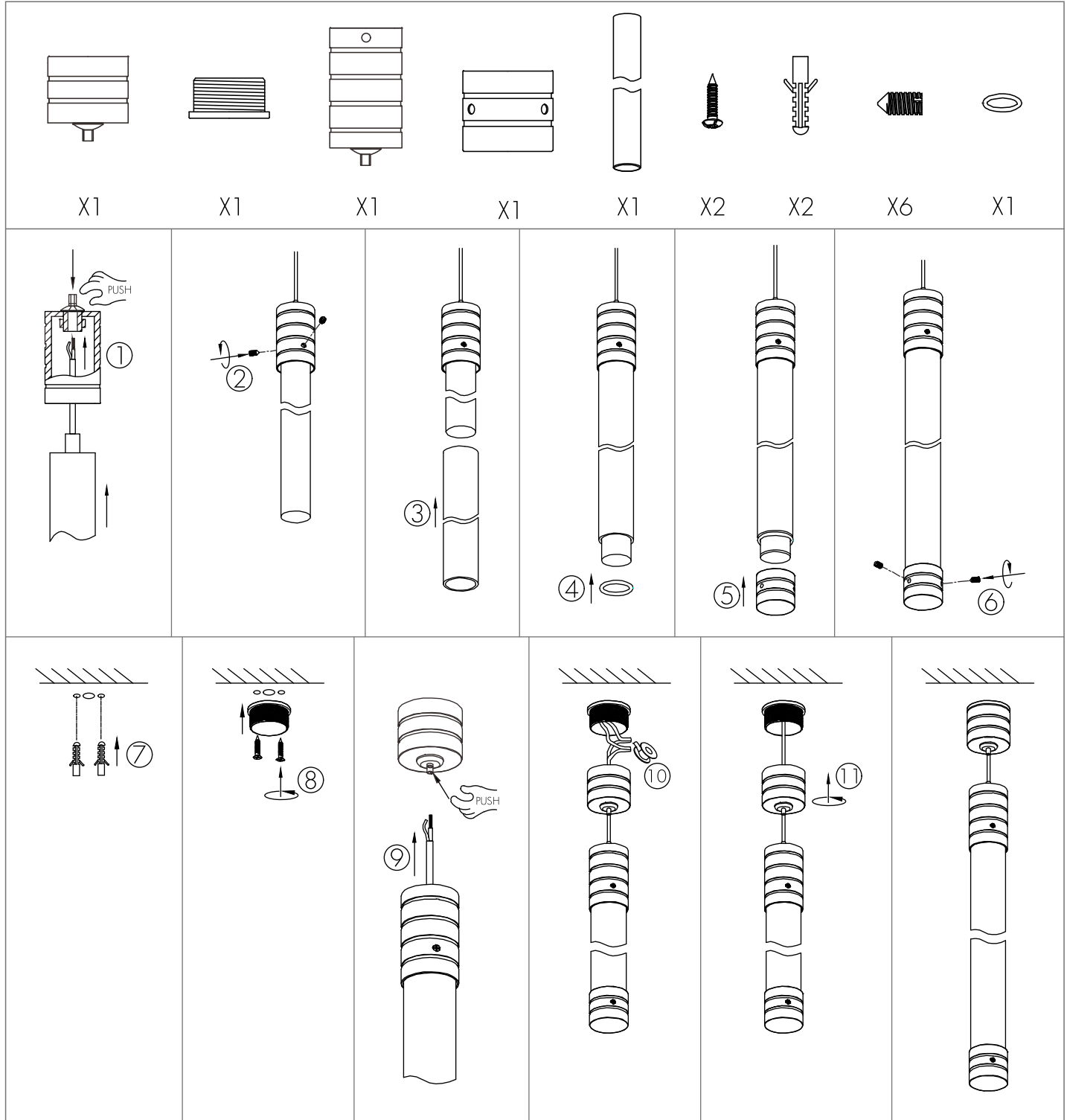


(1) Vertical ceiling mounting with single-ended by acrylic tube. (IP20 for indoor usage only)



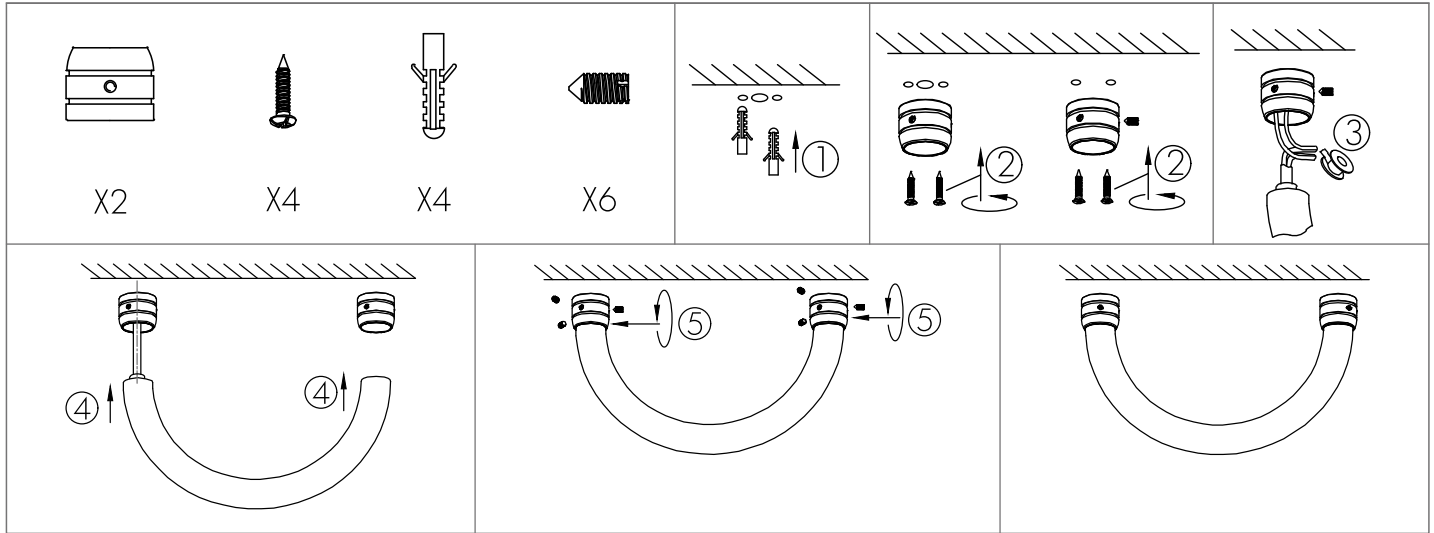
Installation

(2) Vertical suspension on ceiling by hanging wire and acrylic tube. (IP20 for indoor use only, available in white but not CCT/RGB/RGBW color)

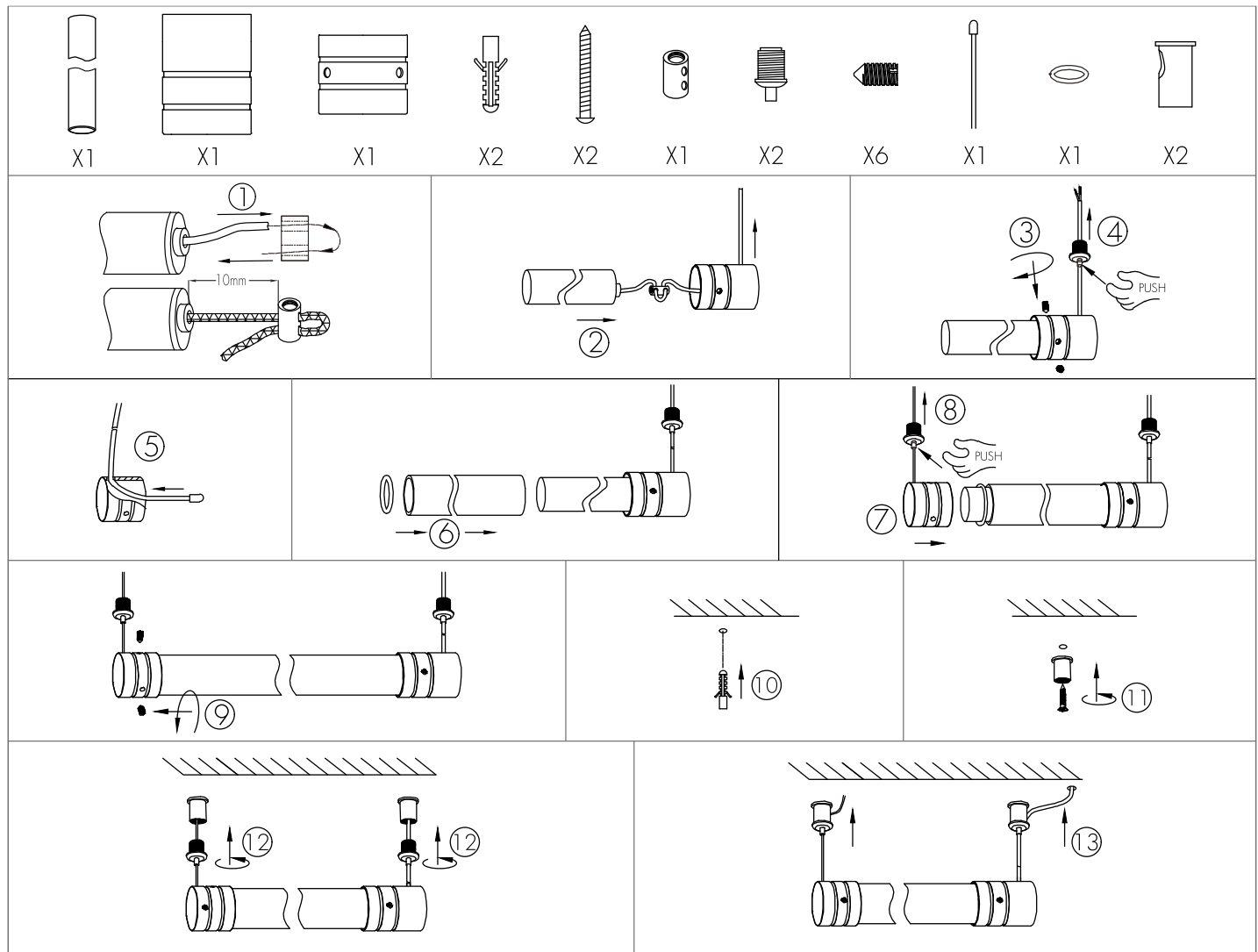


Installation

(3) Vertical ceiling mounting with double-ended. (IP20 for indoor usage only)

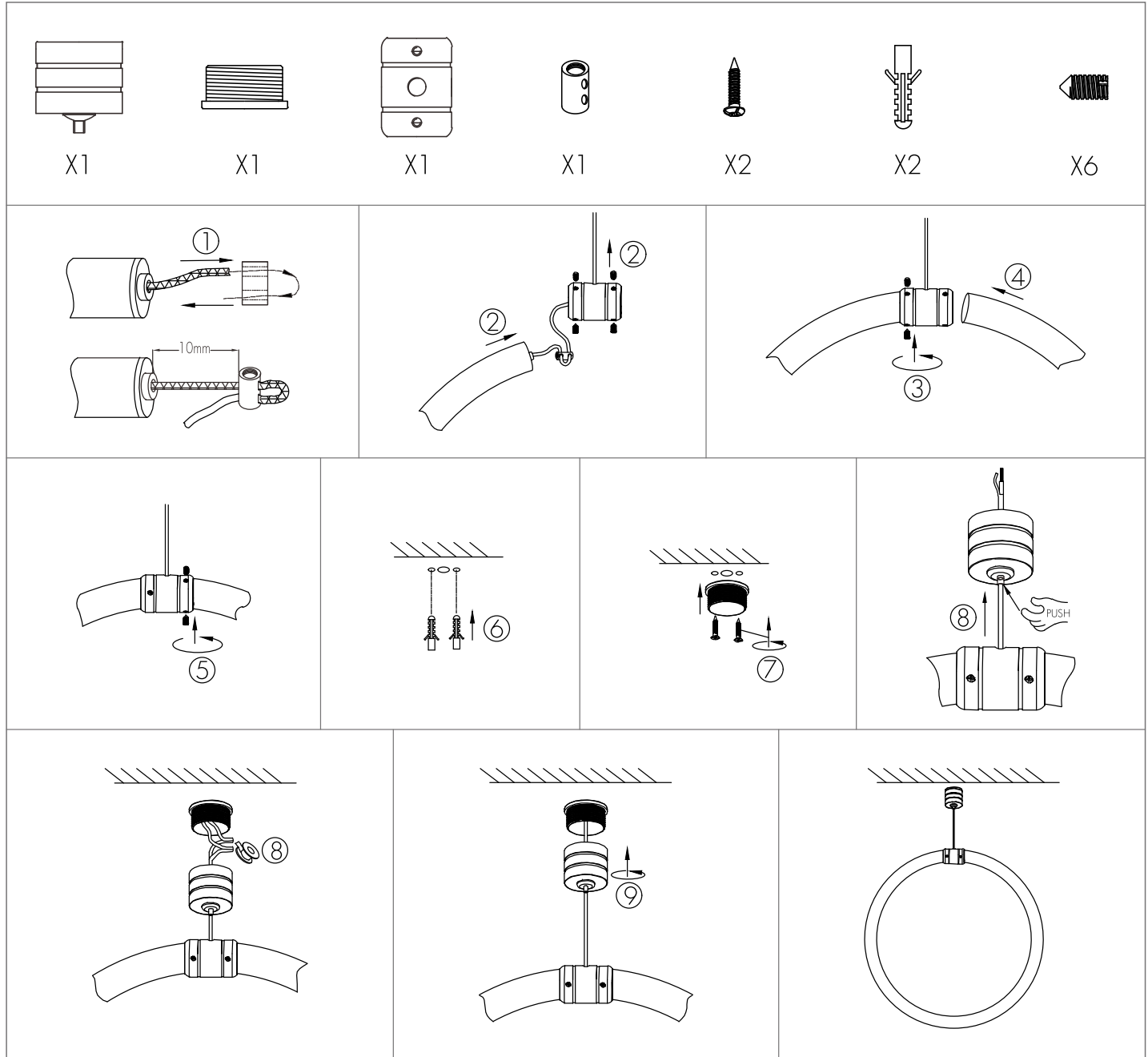


(4) Horizontal suspension on ceiling by hanging wire and acrylic tube. (IP20 for indoor usage only)



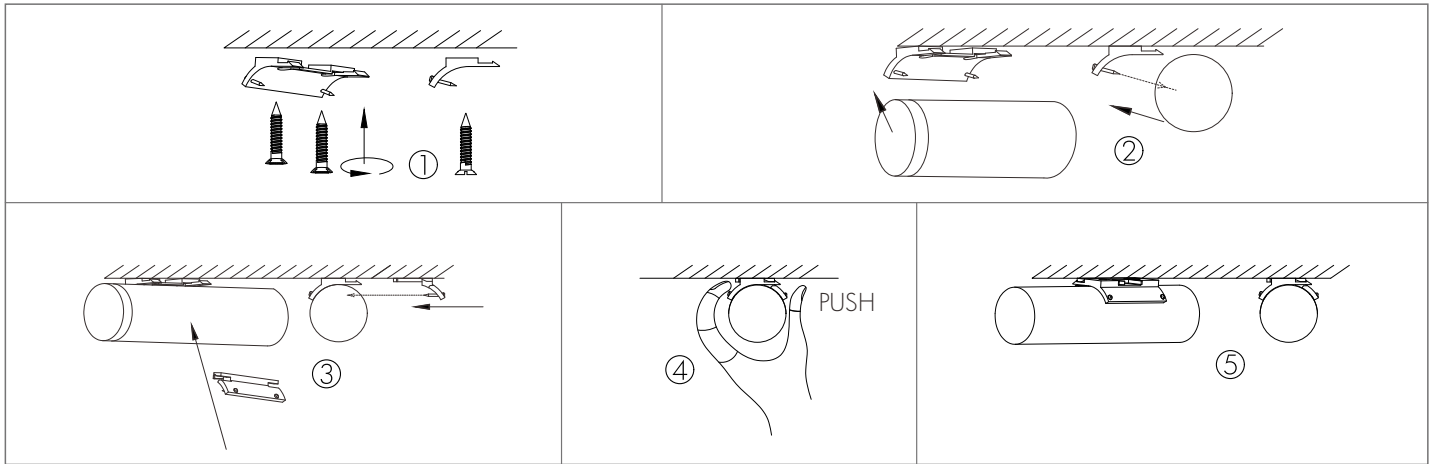
Installation

(5) Circular suspension on ceiling by hanging wire. (IP20 for indoor usage only, available in white but not CCT/RGB/RGBW color)

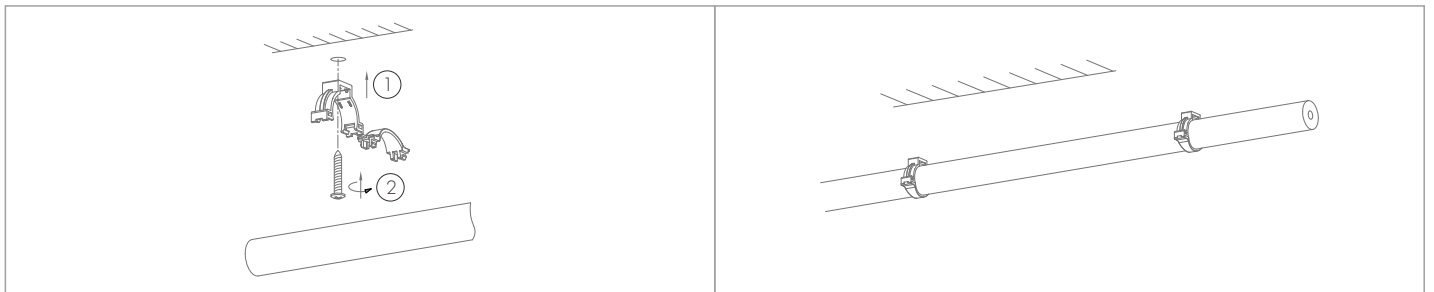


Installation

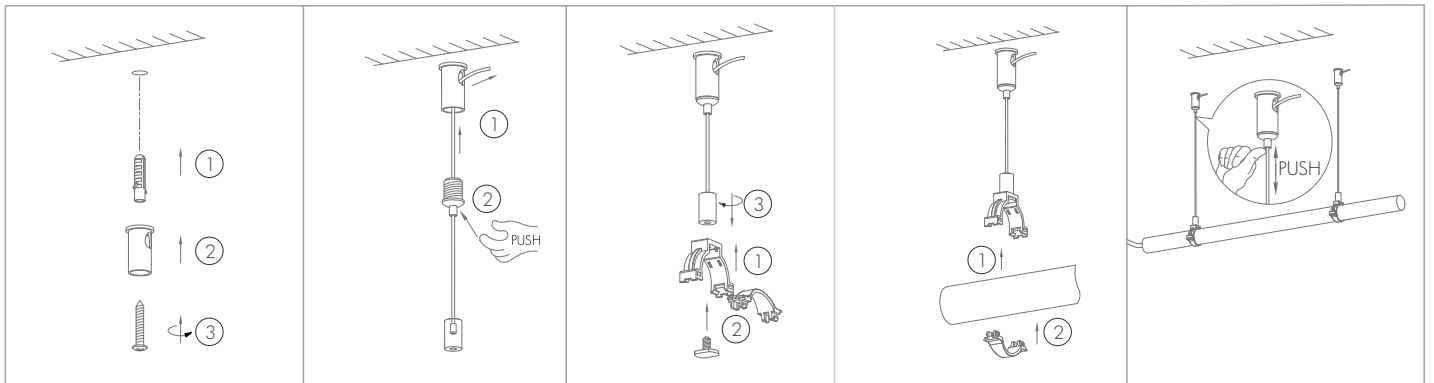
(6) Horizontal ceiling mounting or wall mounting by needle buckle. (IP20 for indoor usage only)



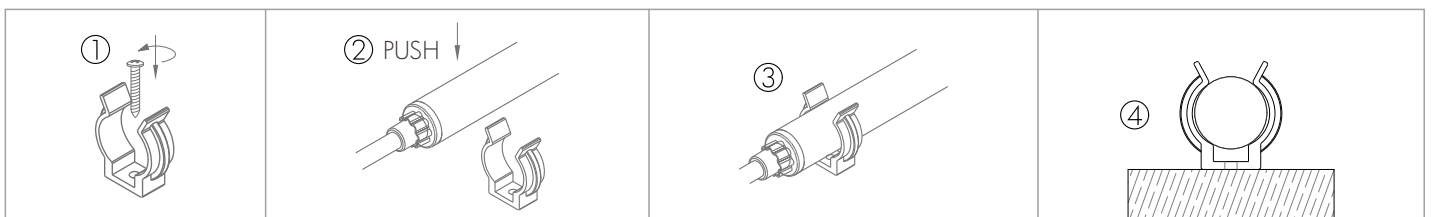
(7) Horizontal ceiling mounting by bracket.



(8) Horizontal suspension on ceiling by hanging wire and clip.

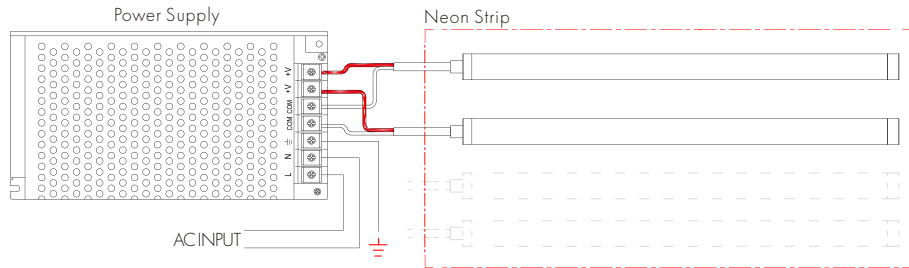


(9) Wall mounting by bracket

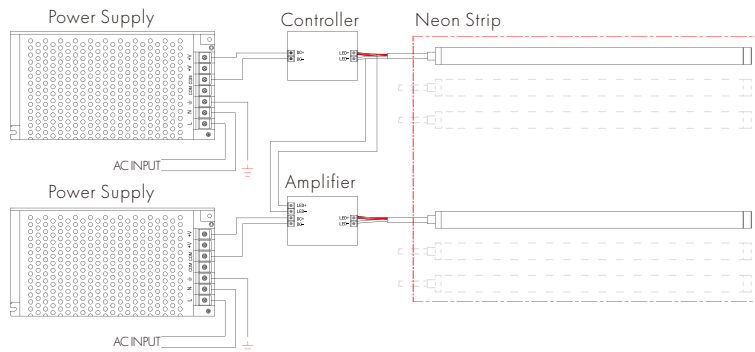


Connection

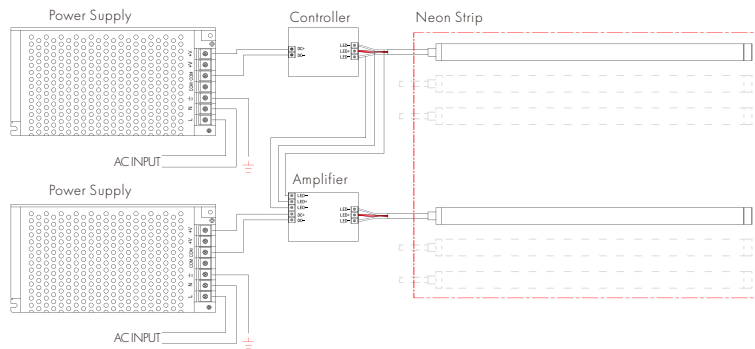
Non-Dimming Status for Single Color



Dimming Status for Single Color



CCT-Tunable Status for Dual Colors



Dimming and tuning status for RGB

