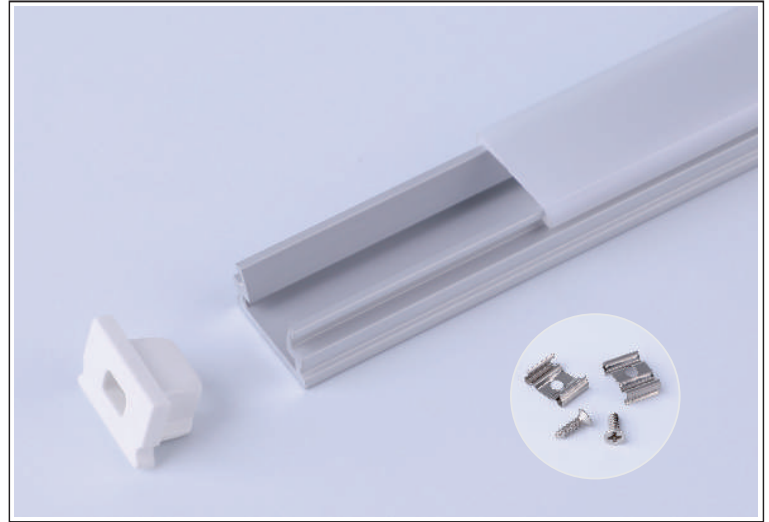
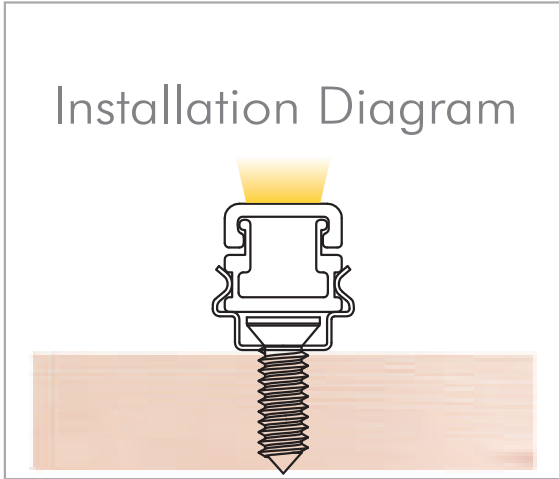


Mini Surface Mounting Channel

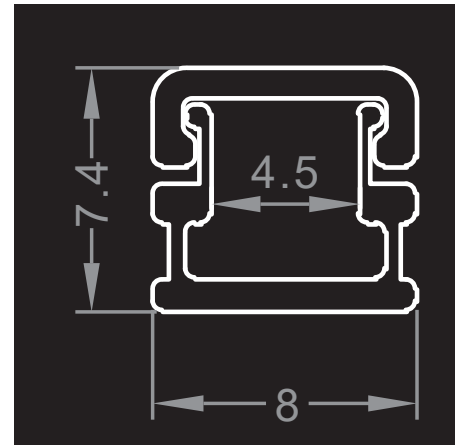
Aluminum Channel for Flexible LED Strip

MSM-0603



Specifications

- Material: Anodized Aluminum 6063
- Color: Silver / Black / White
- Cover: Regular PC diffuser (milky / transparent / black)
- Width*Height: 8*7mm [0.6*0.3in.]
- Max. Length: Profile 3M [9.84ft.], cover 20M[65.6ft.]
- End cap: 2pcs/unit (1 pc with hole, 1 pc without hole)
- Clip/Screw: 2pcs/M [2pcs/39.4in.]
- Match Strip Width: 5mm [0.2in.]
- Linear LED Density@milky cover: $\geq 120\text{LED/M/Row}$ [36LED/ft.]
- Light Output Rate of Finished Product: 30-40%
- Length of Finished Product: Strip Length+ 14mm [0.55in.]



Part Number

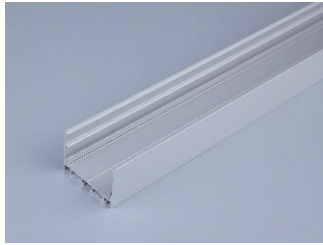
MODEL	CHANNEL FINISH	LENS	QUANTITY
MSM-0603 Mini Surface Mount Channel	WH White SI Silver BK Black	C Clear Lens F Frosted Lens M Milky Lens	39 Available in 1 meter (39") increments

Mini Surface Mounting Channel

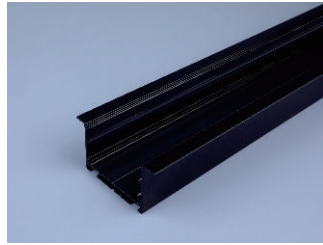
Aluminum Channel for Flexible LED Strip

MSM-
0603

Aluminum Options



Silver

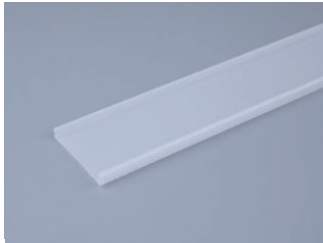


Black

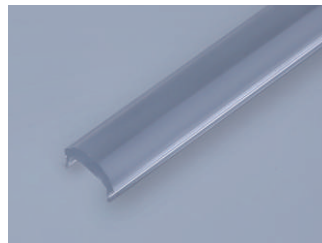


White

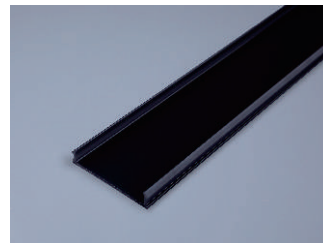
Diffusion PC Cover Options



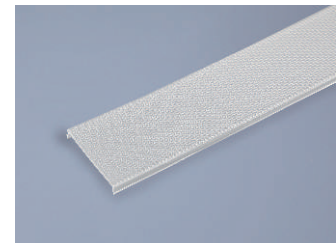
Milky Transmission:
83%For Dot-free



Transparent Transmission:
93%For High transmittance



Black Transmission:
60%For Decoration



Prismatic Transmission: 83%
For Anti-glare (UGR < 19 optional)

Mini Surface Mounting Channel

Compatible LED Strips

MSM-
0603

STATIC	RGBW	TW	LED STRIP #	PRODUCT WIDTH	IP rating
✓			HEFC-9682S	0.2" (5mm)	IP20