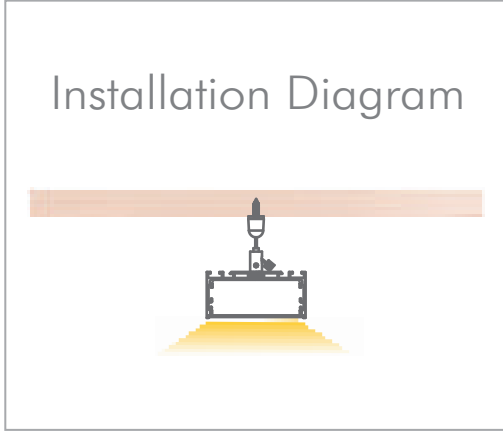


Office Suspended Mounting Channel

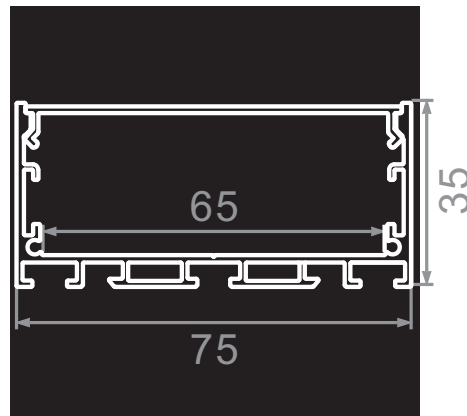
Aluminum Channel for Flexible LED Strip

OS-295



Specifications

- Material: Anodized Aluminum 6063
- Color: Silver / Black / White
- Cover: Regular PC diffuser (milky / transparent / black)
- Width*Height: 75*35mm [2.95*1.38in.]
- Max. Length: Profile 3M [9.84ft.], cover 10M [32.8ft.]
- End cap: 2pcs/unit (1 pc with hole, 1 pc without hole)
- Clip/Screw: 2pcs/M [2pcs/39.4in.]
- Match Strip Width: 15*3/20*2/25*2mm[0.59*3/0.79*2/0.98*2in.]
- linear LED Density@milky cover: ≥ 120LED/M/Row [36LED/ft.]
- Light Output Rate of Finished Product: 50-60%
- Length of Finished Product: Strip Length+13mm [0.51in.]



Part Number

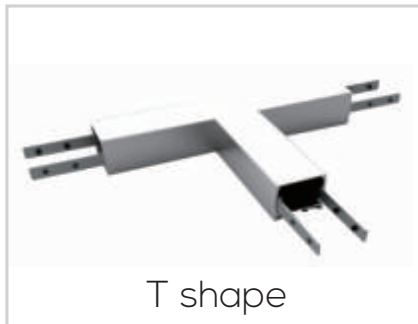
MODEL	CHANNEL FINISH	LENS	QUANTITY
OS-295 Office Suspended Channel	WH White SI Silver BK Black	C Clear Lens F Frosted Lens M Milky Lens	39 Available in 1 meter (39") increments

Office Suspended Mounting Channel

Aluminum Channel for Flexible LED Strip

OS-
295

Connection Options

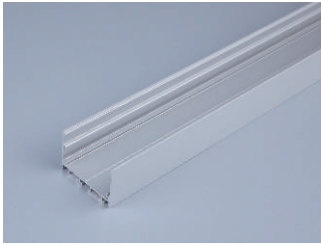


Office Suspended Mounting Channel

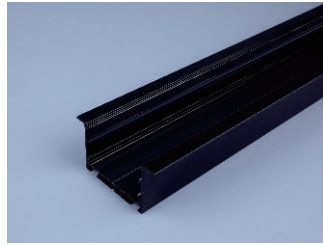
Aluminum Channel for Flexible LED Strip

OS-
295

Aluminum Options



Silver

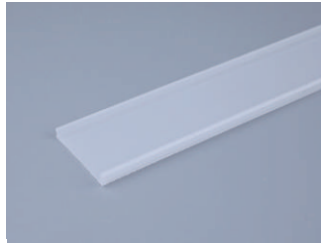


Black

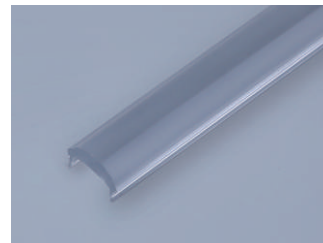


White

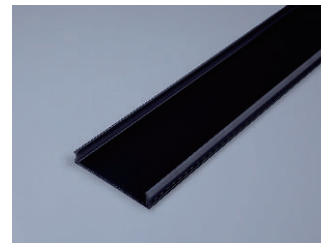
Diffusion PC Cover Options



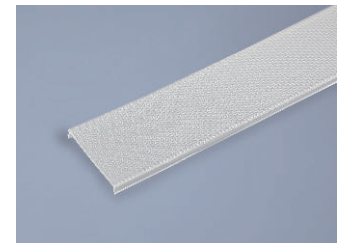
Milky Transmission:
83%For Dot-free



Transparent Transmission:
93%For High transmittance



Black Transmission:
60%For Decoration



Prismatic Transmission: 83%
For Anti-glare (UGR < 19 optional)

Office Suspended Mounting Channel

Compatible LED Strips

OS-
295

HEDS-FE40S
HETS-L493S