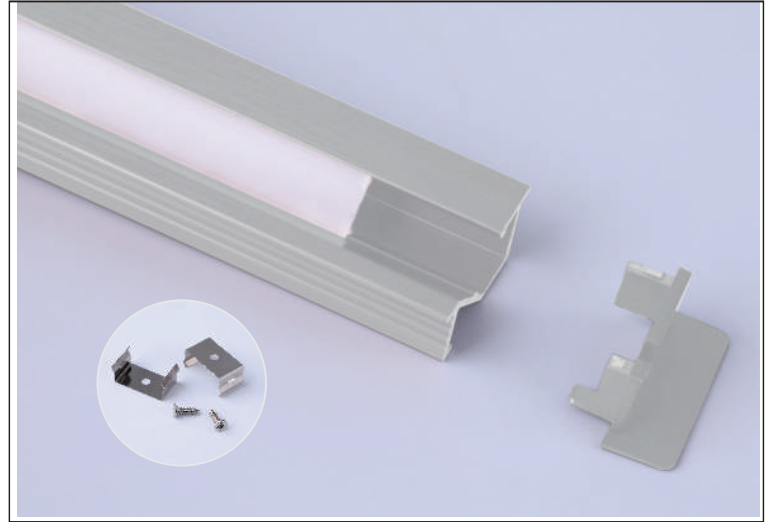
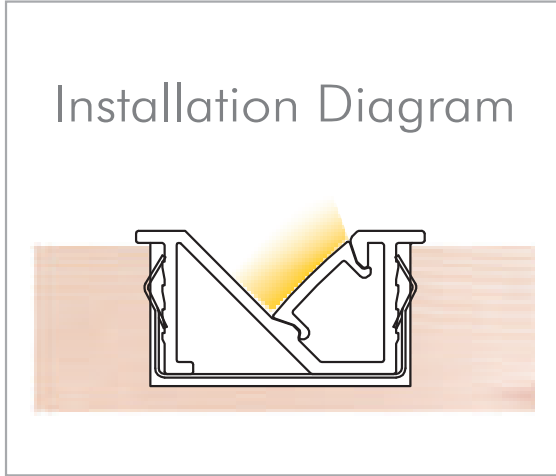


Regular Recessed Mounting Channel

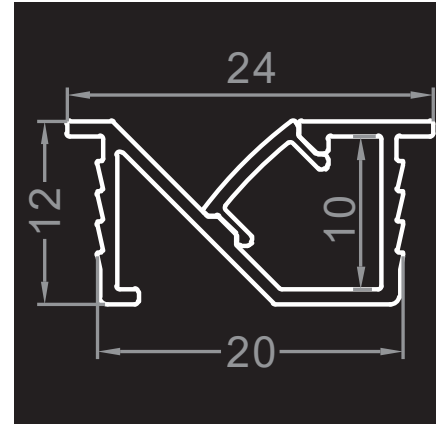
Aluminum Channel for Flexible LED Strip

RRM-9447



Specifications

- Material: Anodized Aluminum 6063
- Color: Silver / Black / White
- Cover: Regular PC diffuser (milky / transparent / black)
- Width*Height: 24*12mm [0.94*0.47in.]
- Max. Length: Profile 3M [9.84ft.], cover 20M [65.6ft.]
- End cap: 2pcs/unit (1pc with hole, 1pc without hole)
- Clip/Screw: 2pcs/M [2pcs/39.4in.]
- Match Strip Width: 8mm [0.31in.]
- Linear LED Density@milky cover: $\geq 120\text{LED}/\text{M}/\text{Row}$ [36LED/ft.]
- Light Output Rate of Finished Product: 50-60%
- Length of Finished Product: Strip Length+28mm [1.1in.]



Part Number

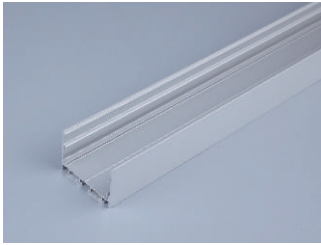
MODEL	CHANNEL FINISH	LENS	QUANTITY
RSM-9447 Regular Recessed Mount Channel	WH White SI Silver BK Black	C Clear Lens F Frosted Lens M Milky Lens	39 Available in 1 meter (39") increments

Regular Recessed Mounting Channel

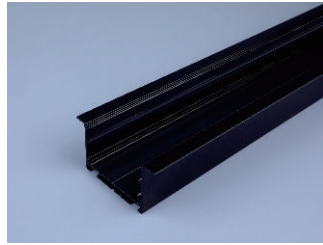
Aluminum Channel for Flexible LED Strip

RRM-
9447

Aluminum Options



Silver

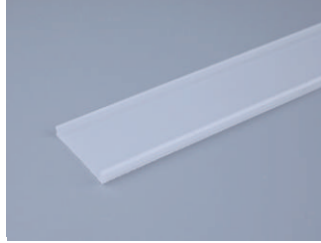


Black

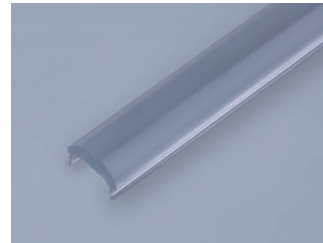


White

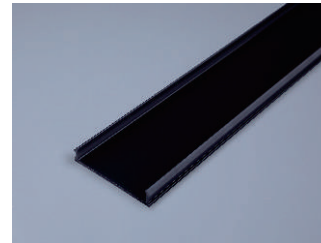
Diffusion PC Cover Options



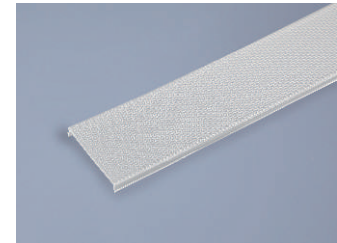
Milky Transmission:
83%For Dot-free



Transparent Transmission:
93%For High transmittance



Black Transmission:
60%For Decoration



Prismatic Transmission: 83%
For Anti-glare (UGR < 19 optional)

Regular Recessed Mounting Channel

RRM-
9447

Compatible LED Strips

STATIC	RGBW	TW	LED STRIP #	PRODUCT WIDTH	
✓			ULHE-9519S	0.32" (8mm)	IP20
✓			ULHE-9522S	0.32" (8mm)	IP20
✓			HEFC-9687S	0.32" (8mm)	IP20
✓			OSMV-FE62S	0.32" (8mm)	IP20
✓			TDFP-414S	0.32" (8mm)	IP54