

DUPONT BUILDING

101

# A QUICK GUIDE TO ARCHITECTURAL LIGHTING

Exterior Linear LED Solutions





**ABOUT US** 4

**PRODUCTS**

HB18 Series	6
HB30 Series	10
HB30PD Series	14
HB40HP Series	18
HB40SP Series	22
HB50 Series	26

**ACCESSORIES** 30

**GET IN TOUCH** 33

# ABOUT US

The Smart Lighting Company has well over 27 years of experience designing and manufacturing architectural LED lighting fixtures and systems. We are incredibly proud our company produces the highest quality products that not only last the test of time, but are also well known to have even and consistent illumination. This is due to the fact that we only utilize the best LEDs in the industry. We also have less than 1% failure rate across our entire product line. The results speak for themselves. When it comes to the most precise optics for general illumination, grazing, and wall washing, The Smart Lighting Company is the top choice for architects, engineers, and lighting specialists across the globe.

- ✓ Nichia Bin Sorted LEDs
- ✓ Precision Optics
- ✓ Thermal Management
- ✓ Plug & Play
- ✓ IP66 – Wet Location

In this guide, you will discover our most popular high-performance IP66 outdoor linear LED fixtures. Available in Static Colors, RGB, and RGBW.



BUILDING

01



# HB18 SERIES



The HB18 Series are narrow, ultra-low profile LED fixtures that measure 0.79 inches wide by 1.5 inches high. The compact size makes the HB18 Series the perfect solution for areas that require continuous and even illumination, but have limited space. This LED lighting fixture series is available in a sleek black powder-coated finish. The HB18 Series also has plug and play connectors that make it quick and easy to install. In addition, the end caps are removable in order to create one seamless line of light. This tiny yet powerful luminaire produces an eye-catching edge/border, accent, and wall washing lighting solution.

The HB1814 includes a clear lens, while the HB1828 has an opaque polycarbonate lens for direct-view areas.

- Colors: 27k, 30k, 35k, 41k, 50k, 65k, Red, Green, Blue
- Fixture lengths: 12", 24", 36", 48"
- Run lengths: 120ft@120VAC; 277ft@277VAC
- Control: 0-10V Dimming

## HB1814 Wall Washer

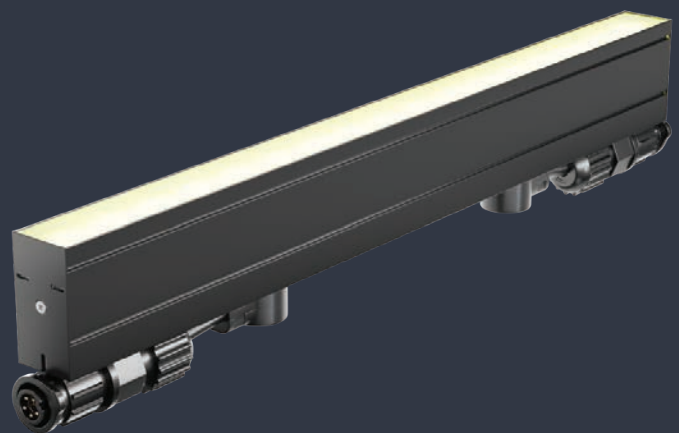
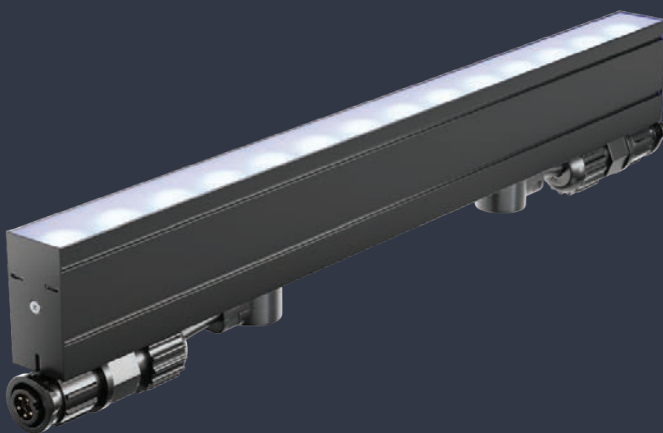
- Optics: 30°, 45°, 30°x60°
- 4w/ft
- 400lm/ft

## HB1828 Direct View

- Optic: 120°
- 4w/ft
- 180lm/ft

HB1814 Wall Washer

HB1828 Direct View







# HB18 RGBW

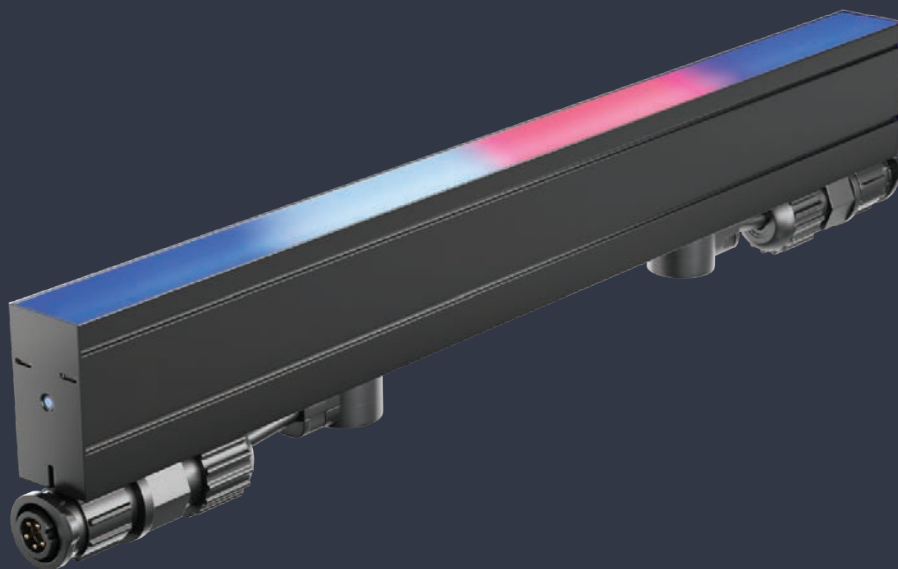


The HB18 RGBW is a narrow, ultra-low profile LED fixture that measures 0.79 inches wide by 1.5 inches high. The compact size makes the HB18 RGBW the perfect solution for areas that require continuous and even illumination, but have limited space. This LED lighting fixture is available in a sleek black powder-coated finish. The HB18 RGBW also has plug and play connectors that make it quick and easy to install. In addition, the end caps are removable in order to create one seamless line of light. This tiny yet powerful luminaire produces an eye-catching edge/border, accent, and wall washing lighting solution.

The HB1856 is available with a 120° opaque polycarbonate lens and is addressable in either 6 inch increments or per fixture.

- RGBW
- Optic: 120°
- 4w/ft
- 110lm/ft
- Fixture lengths: 12", 24", 36", 48"
- Run lengths: 120ft@120VAC; 277ft@277VAC
- Control - DMX

## HB1856 RGBW







# HB30 SERIES



The high-impact yet versatile HB30 Series not only meets, but far exceeds all expectations. These LED lighting fixtures have the ability to illuminate well over 15 feet without fading. The HB30 Series is available in four lengths, and includes precision optic options that are perfect for Accent, Grazing, Washing, and Flood lighting applications. The HB30 Series comes mounted with either stainless-steel adjustable or flat brackets, or with an optional powder-coated housing that includes an integral glare shield, and extended arms.

White flat lenses throw the light forward, while dome lenses provide upwards and outwards illumination. The HB3014R includes an opaque rounded lens that creates even illumination without pixelation.

- Colors: 22k, 27k, 30k, 35k, 41k, 50k, 65k, Red, Green, Blue
- Fixture lengths: 12", 24", 36", 48"
- Run lengths: 4.5w - 128ft@120VAC; 295ft@277VAC  
7.0w - 64ft@120VAC; 147ft@277VAC
- Control: 0-10V Dimming

## HB3014 Static

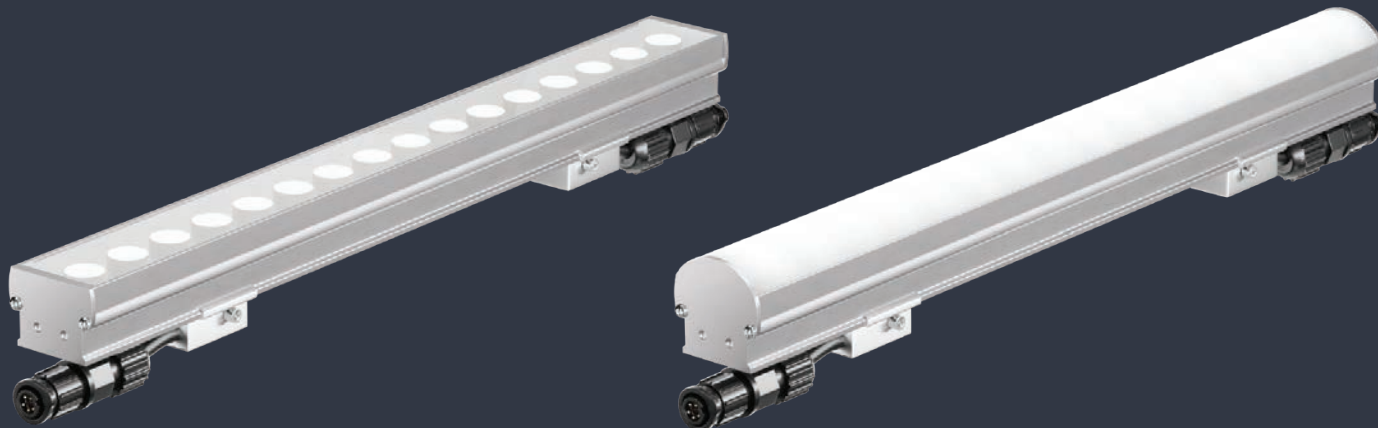
- Optics: 15°, 30°, 45°, 120°, 30°x60°
- 4.5w/ft, 7.0w/ft
- 486lm/ft, 700lm/ft

## HB3014R Static Dome

- Optic: 120°
- 4.5w/ft, 7.0w/ft
- 365lm/ft, 458lm/ft

HB3014

HB3014R Dome









# HB30 RGB & RGBW



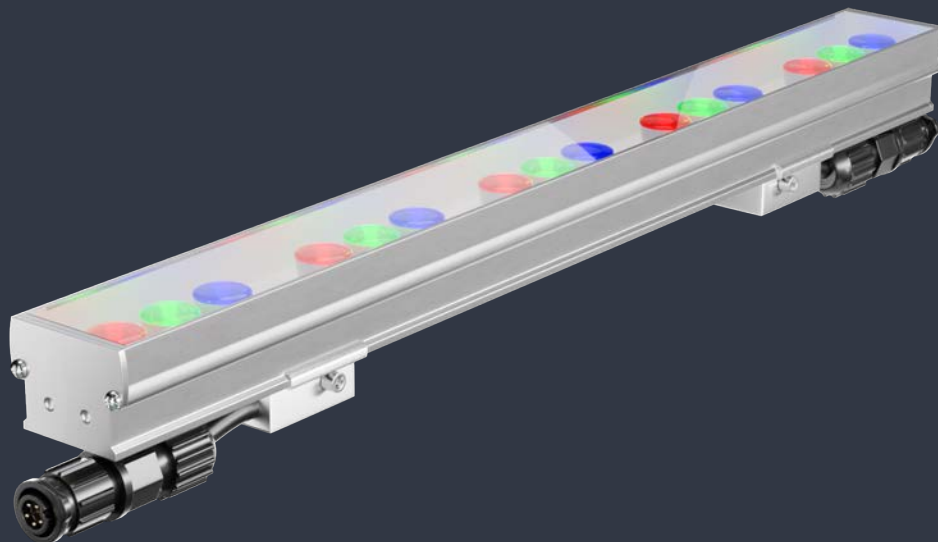
The high-impact yet versatile HB30 RGB & RGBW not only meets, but far exceeds all expectations. The HB30 RGB & RGBW products are both available in four lengths, and include precision optic options that are perfect for Accent, Grazing, Washing, and Flood lighting applications. The HB30 RGB & RGBW comes mounted with either stainless-steel adjustable or flat brackets, or with an optional powder-coated housing that includes an integral glare shield and extended arms.

The HB30 RGB & RGBW creates a vibrant statement with fully saturated RGB/W colors, and is addressable in either 12 inch increments or per fixture.

- RGB or RGBW
- Optic options: 15°, 30°, 45°, 120°, 30°x60°
- 6w/ft
- RGBW: 217lm/ft
- Fixture lengths: 12", 24", 36", 48"
- Run lengths: 85ft@120VAC;  
197ft@277VAC
- Control - DMX

**HB3015 RGB**

**HB3016 RGBW**





# HB30PD SERIES



The HB30PD Series is engineered for long and sustained runs of intense, fluid light without pixelation. These LED fixtures are manufactured in a one-piece polycarbonate housing with an opaque domed lens that provides an omnidirectional glow. Connect multiple HB30PD Series fixtures together in order to create one vivid and continuous line of light. The HB30PD Series is perfect for either accent or edge direct-view applications.

- Colors: 27k, 30k, 35k, 41k, 50k, 65k, Red, Green, Blue
- Optic: 120°
- 4.4w/ft
- 346lm/ft
- Fixture lengths: 12", 24", 36", 48"
- Run lengths: 108ft@120VAC; 197ft@277VAC
- Control: 0-10V Dimming

HB3024PD







# HB30PD RGB & RGBW



The HB30PD RGB & RGBW are engineered for long and sustained runs of intense, fluid light without pixelation. These LED fixtures are manufactured in a one-piece polycarbonate housing with an opaque domed lens that provides an omnidirectional glow. Connect multiple HB30PD RGB & RGBW fixtures together in order to create one vivid and continuous line of light. These LED fixtures are perfect for either accent or edge direct-view applications.

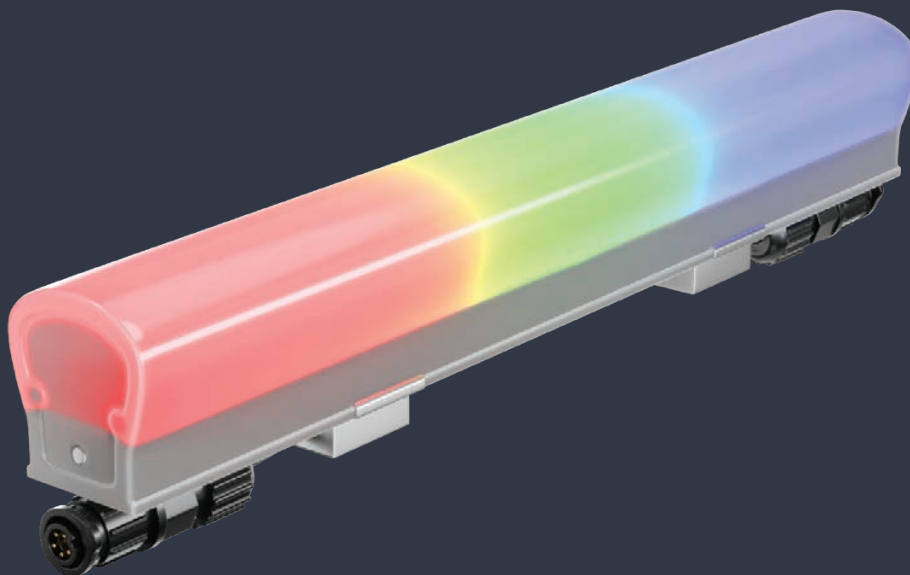
The HB3018PD RGB is addressable in either 4 inch increments or per fixture.

The HB3036PD RGBW is addressable in either 6 inch increments or per fixture.

- RGB or RGBW
- Optic: 120°
- RGB: 5.6w/ft • RGBW: 6.2w/ft
- RGBW: 256lm/ft
- Fixture lengths: 12", 24", 36", 48"
- Run lengths: 85ft@120VAC; 197ft@277VAC
- Control - DMX

HB3018PD RGB

HB3036PD RGBW







ITUS



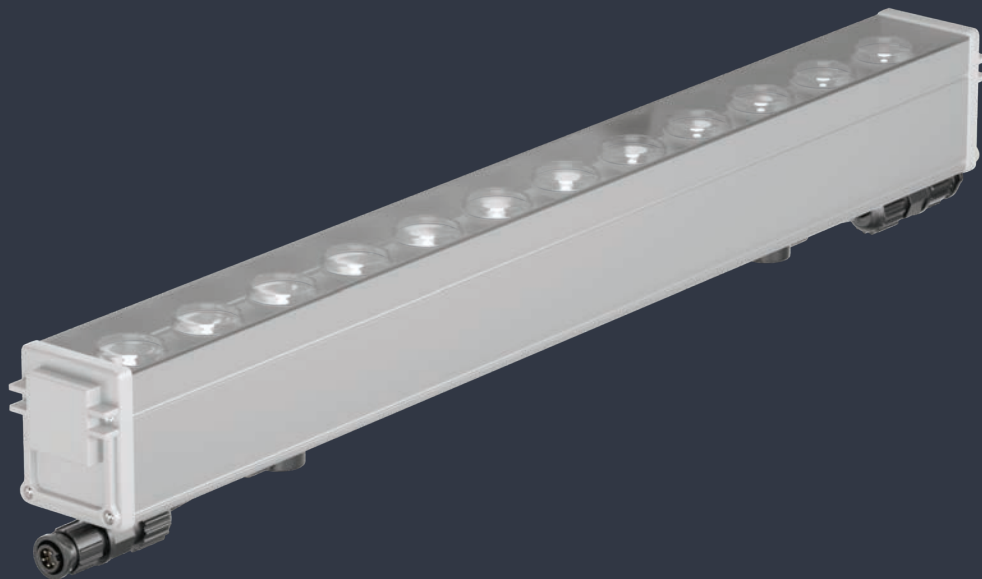
# HB40HP SERIES



The HB40HP Series are incredibly powerful and high-intensity LED lighting fixtures that illuminate over 35 feet without fading. The HB40HP Series is available in 5 lengths and 7 optic options, and is designed for precise Grazing, Washing, and Flood applications. These LED lighting fixtures are mounted with adjustable brackets, or an optional powder-coated housing that includes an integral glare shield and extended arms.

- Colors: 18k, 22k, 27k, 30k, 35k, 41k, 50k, 65k, Red, Green, Blue
- Optics: 15°, 20°, 30°, 45°, 120°, 13°x17°, 30°x60°
- 8.8w/ft - 744lm/ft, 12w/ft - 975lm/ft
- Fixture lengths: 10", 19", 28", 37", 46"
- Run lengths: 54ft@120VAC; 125ft@277VAC
- Control: 0-10V Dimming

HB40HP



# COURTYARD

BY MARRIOTT



# HB40HP RGB & RGBW



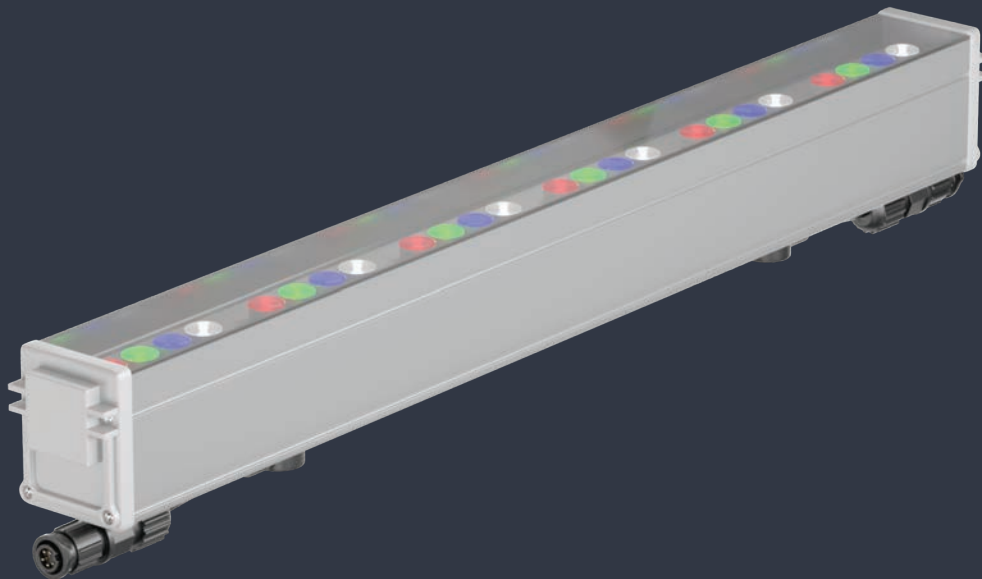
The HB40HP RGB & RGBW are incredibly powerful and high-intensity products that are available in 5 lengths and 6 optic options. This LED lighting solution is designed for precise Grazing, Washing, and Flood applications. The HB40HP RGB & RGBW are mounted with adjustable brackets, or an optional powder-coated housing that includes an integral glare shield and extended arms.

The HB40HP RGB & RGBW create a vibrant statement with fully saturated RGB/W colors, and are addressable in either 9 inch increments or per fixture.

- RGB or RGBW
- Optics: 15°, 20°, 30°, 45°, 120°, 30°x60°
- 13w/ft
- RGBW: 641lm/ft
- Fixture lengths: 10", 19", 28", 37", 46"
- Run lengths: 36ft@120VAC; 85ft@277VAC
- Control - DMX

HB40HP RGB

HB40HP RGBW







# HB40SP SERIES



The HB40SP Series is a powerful LED lighting solution that illuminates over 45 feet. It includes a unique, integrated, and adjustable optical board that provides the ability to aim the LEDs up to 20 degrees towards the surface that is being illuminated. The HB40SP Series can also be fine tuned to direct the light output in order to create the perfect Graze, Wash, and Accent effect. This LED lighting fixture series is available with wall, ceiling or surface mounted options with either brackets or extended arms. The HB40SP is also available with optional covers to conceal wiring.

- Colors: 22k, 7k, 30k, 35k, 41k, 50k, 65k, Red, Green, Blue
- Optics: 15°, 20°, 30°, 45°, 120°, 13°x17°, 30°x60°
- 9.4w/ft - 726lm/ft, 12w/ft - 975lm/ft.
- Fixture lengths: 10", 19", 28", 37", 46"
- Run lengths: 8.8w - 51ft@120VAC; 117ft@277VAC  
12w - 40ft@120VAC; 92ft@277VAC
- Control: 0-10V Dimming

HB40SP







# HB40SP RGB & RGBW



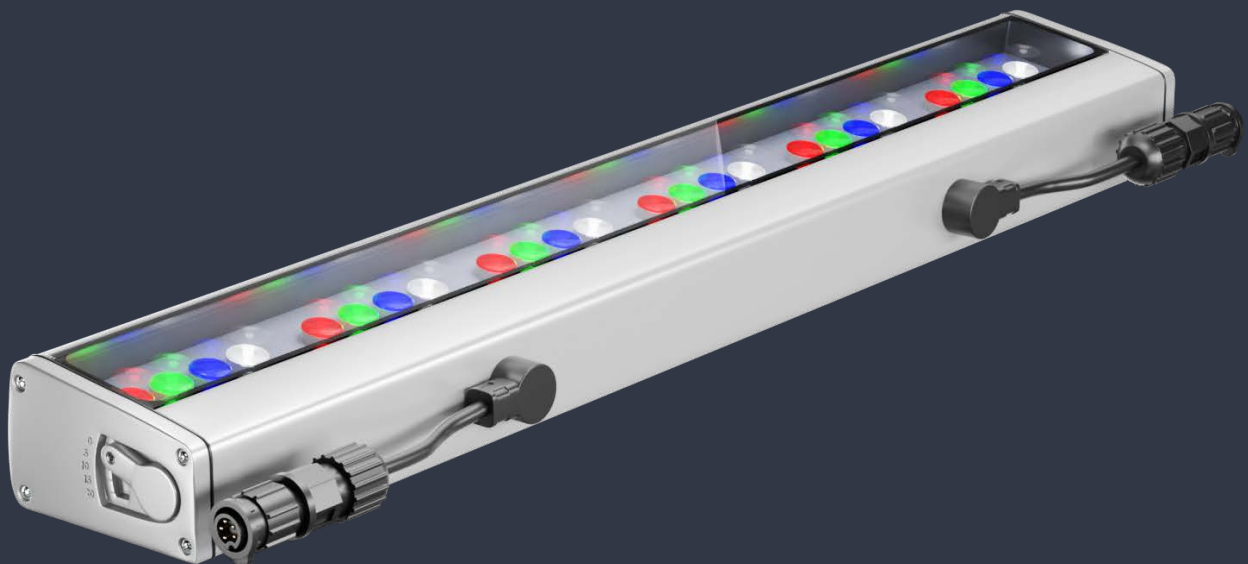
The HB40SP RGB & RGBW feature a unique, integrated, and adjustable optical board that provides the ability to aim the LEDs up to 20 degrees towards the surface being illuminated allowing you to direct the light output in order to create the perfect Graze, Wash, and Accent effect. This LED lighting solution is available with wall, ceiling or surface mounted options with either brackets or extended arms. The HB40SP RGB & RGBW units are also available with optional covers to conceal wiring.

The HB40SP RGB and RGBW are addressable in either 9 inch increments or per fixture.

- RGB or RGBW
- Optics: 15°, 20°, 30°, 45°, 120°, 30°x60°
- 12w/ft
- RGBW: 634lm/ft
- Fixture lengths: 10", 19", 28", 37", 46"
- Run lengths: 36ft@120VAC; 93ft@277VAC
- Control - DMX

HB40SP RGB

HB40SP RGBW







# HB50 SERIES



The HB50 Series are our most powerful architectural LED fixtures to date. They have the capacity to illuminate over 80ft. The HB50 Series is engineered for the highest-density Grazing, Washing, and Flood lighting, and has 11 optic options, and 3 lumen package options. The integrated adjustable mounting brackets provide an impressive 180 degrees of motion. The HB50 Series is available with an optional powder-coated housing with an integral glare shield and extended arms.

- Colors: 27k, 30k, 35k, 41k, 50k, 65k, Red, Green, Blue
- Optics: 8°, 15°, 20°, 30°, 45°, 120°, 8°x40°, 10°x60°, 13°x17°, 15°x35°, 30°x60°
- 12w/ft, 16w/ft, 20w/ft
- 780lm/ft, 1040lm/ft, 1400lm/ft
- Fixture lengths: 12", 24", 36", 48"
- Run lengths: 12w - 80ft@120VAC; 184ft@277VAC  
16w - 60ft@120VAC; 138ft@277VAC  
20w - 48ft@120VAC; 110ft@277VAC
- Control: 0-10V Dimming

HB50B





# HB50 RGB & RGBW



The HB50 RGB & RGBW LED lighting units are our most powerful architectural LED fixtures to date. They have been engineered for the highest-intensity Grazing, Washing, and Flood lighting, and have 8 optic options. The integrated adjustable mounting brackets provide an impressive 180 degrees of motion. The HB50 RGB & RGBW products are available with an optional powder-coated housing with an integral glare shield and extended arms.

The HB50A RGB and HB50C RGBW are addressable either per foot or per fixture.

- RGB or RGBW
- Optics: 15°, 20°, 30°, 45°, 120°, 10°x60°, 15°x35°, 30°x60°
- 20w/ft
- RGBW: 973lm/ft
- Fixture lengths: 12", 24", 36", 48"
- Run lengths: 48ft@120VAC; 110ft@277VAC
- Control - DMX

HB50A RGB

HB50C RGBW







# MOUNTING ACCESSORIES

Outdoor mounting accessories are available for the HB30, HB40, and HB50 series of architectural LED lighting fixtures. The Smart Lighting Company's extrusion and extended arms for wall mounting provide the ability to easily illuminate facades, monuments, signage and more. In addition, the ground post stakes can be easily utilized for ground mounted applications.

The powder-coated extrusion incorporates an integrated glare shield, and provides additional protection for the LED lighting fixture. The Smart Lighting Company's mounting accessories are available as standalone units, or can be row mounted. Louvers are available to control glare.



**Extended Arms** are available in 6, 12, 18, 24, and 36 inch lengths

- Single Mounting Arm should be used with 12 inch and 24 inch fixtures
- Double Mounting Arms should be used with 36 inch and 48 inch fixtures



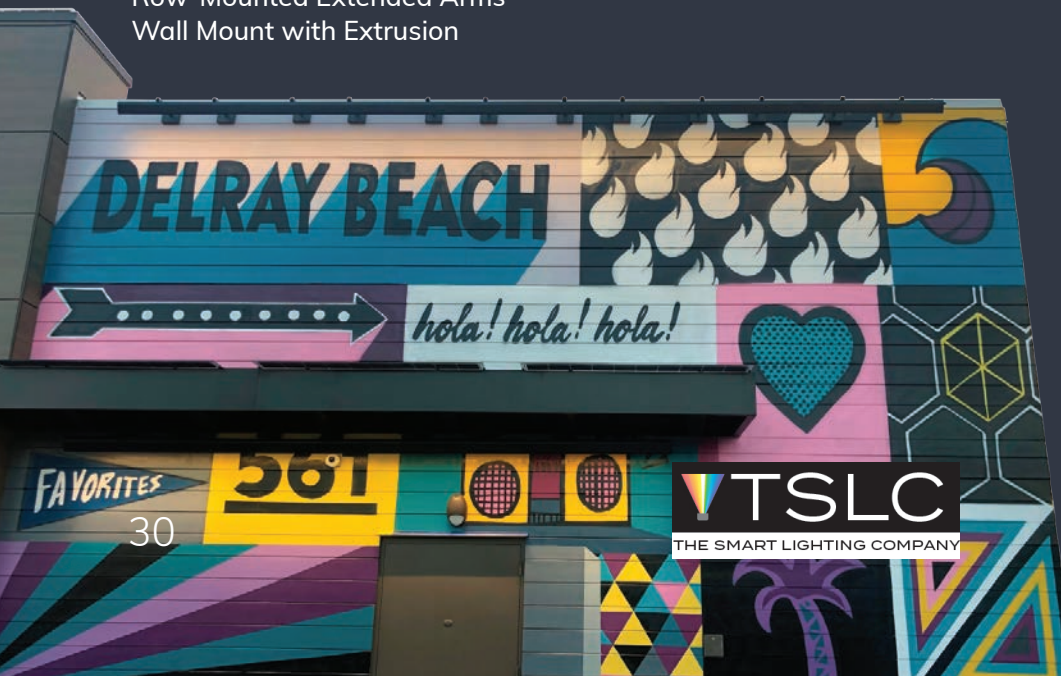
Above:  
Double Extended Arms Wall  
Mount with Extrusion + Louver

Below:  
Row-Mounted Extended Arms  
Wall Mount with Extrusion

**Ground Post Stake**

Left: Ground Post Stake + Extrusion

Below: Ground Post Stake



# ACCESSORIES

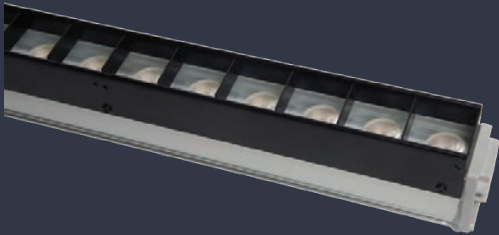
Mounting Hardware



Wire Lead with Power & Signal



Louver



Jumper Cables



Surge Protection Device



0-10V Dimmer











For more information and help  
with your next project, visit us at  
[thesmartlightingcompany.com](http://thesmartlightingcompany.com)  
or call (949) 346-3456  
1731 Kaiser Ave. Irvine, CA 92614



The Smart Lighting Company®  
10/2022